



Chipsmall Limited consists of a professional team with an average of over 10 year of expertise in the distribution of electronic components. Based in Hongkong, we have already established firm and mutual-benefit business relationships with customers from,Europe,America and south Asia,supplying obsolete and hard-to-find components to meet their specific needs.

With the principle of “Quality Parts,Customers Priority,Honest Operation,and Considerate Service”,our business mainly focus on the distribution of electronic components. Line cards we deal with include Microchip,ALPS,ROHM,Xilinx,Pulse,ON,Everlight and Freescale. Main products comprise IC,Modules,Potentiometer,IC Socket,Relay,Connector.Our parts cover such applications as commercial,industrial, and automotives areas.

We are looking forward to setting up business relationship with you and hope to provide you with the best service and solution. Let us make a better world for our industry!



Contact us

Tel: +86-755-8981 8866 Fax: +86-755-8427 6832

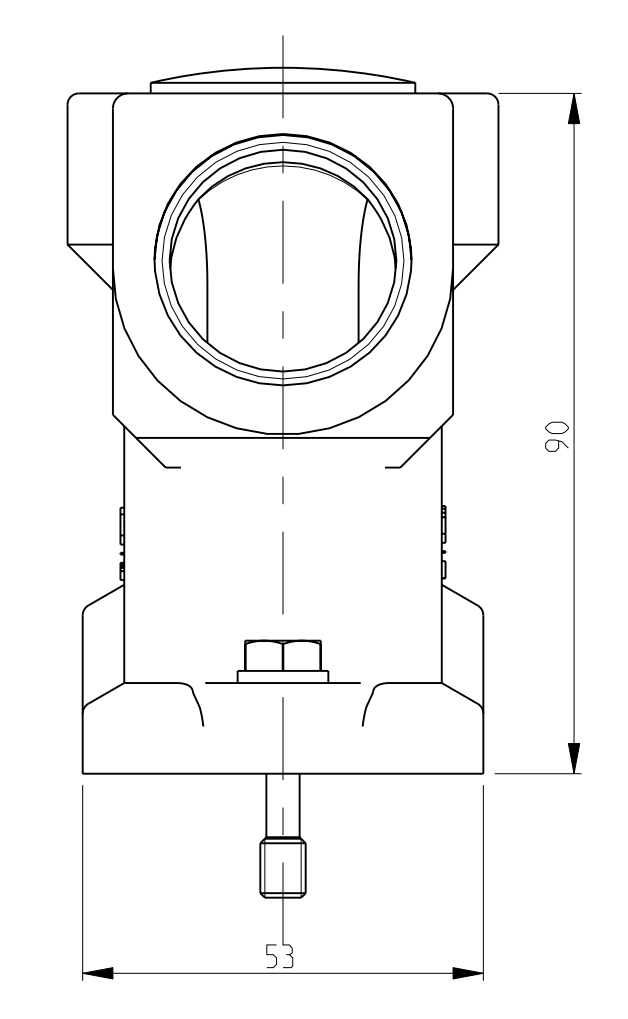
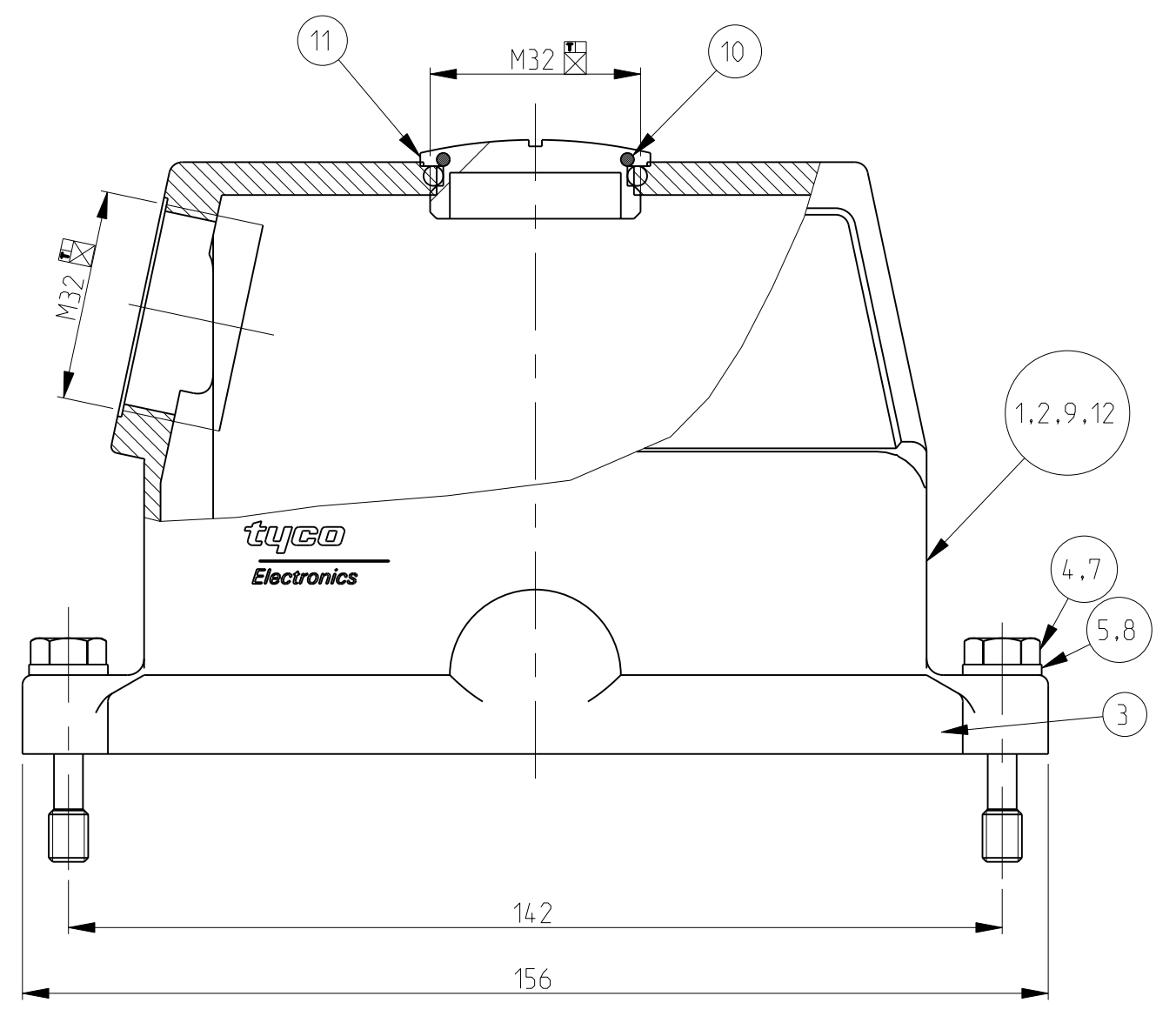
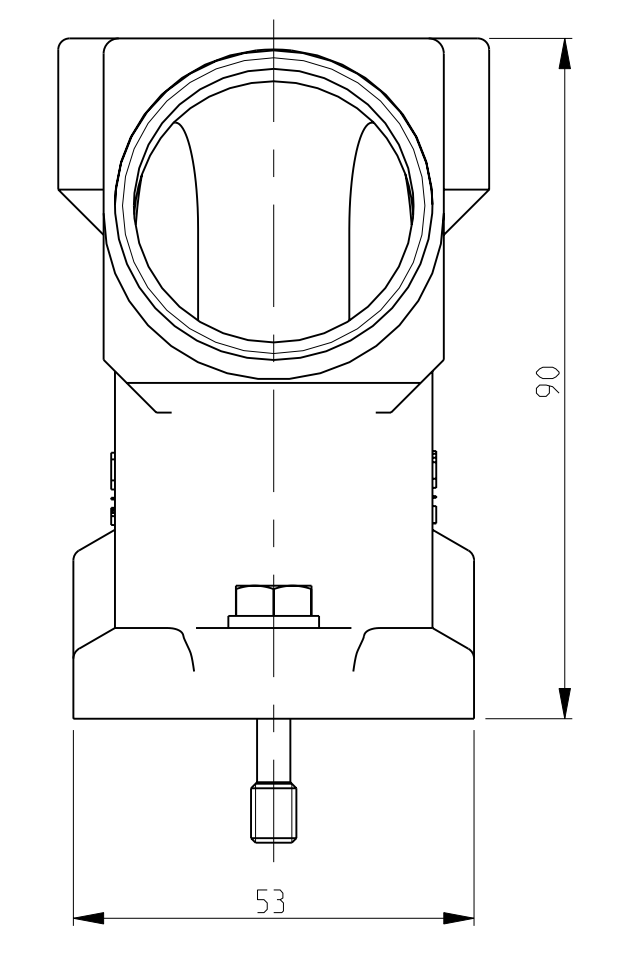
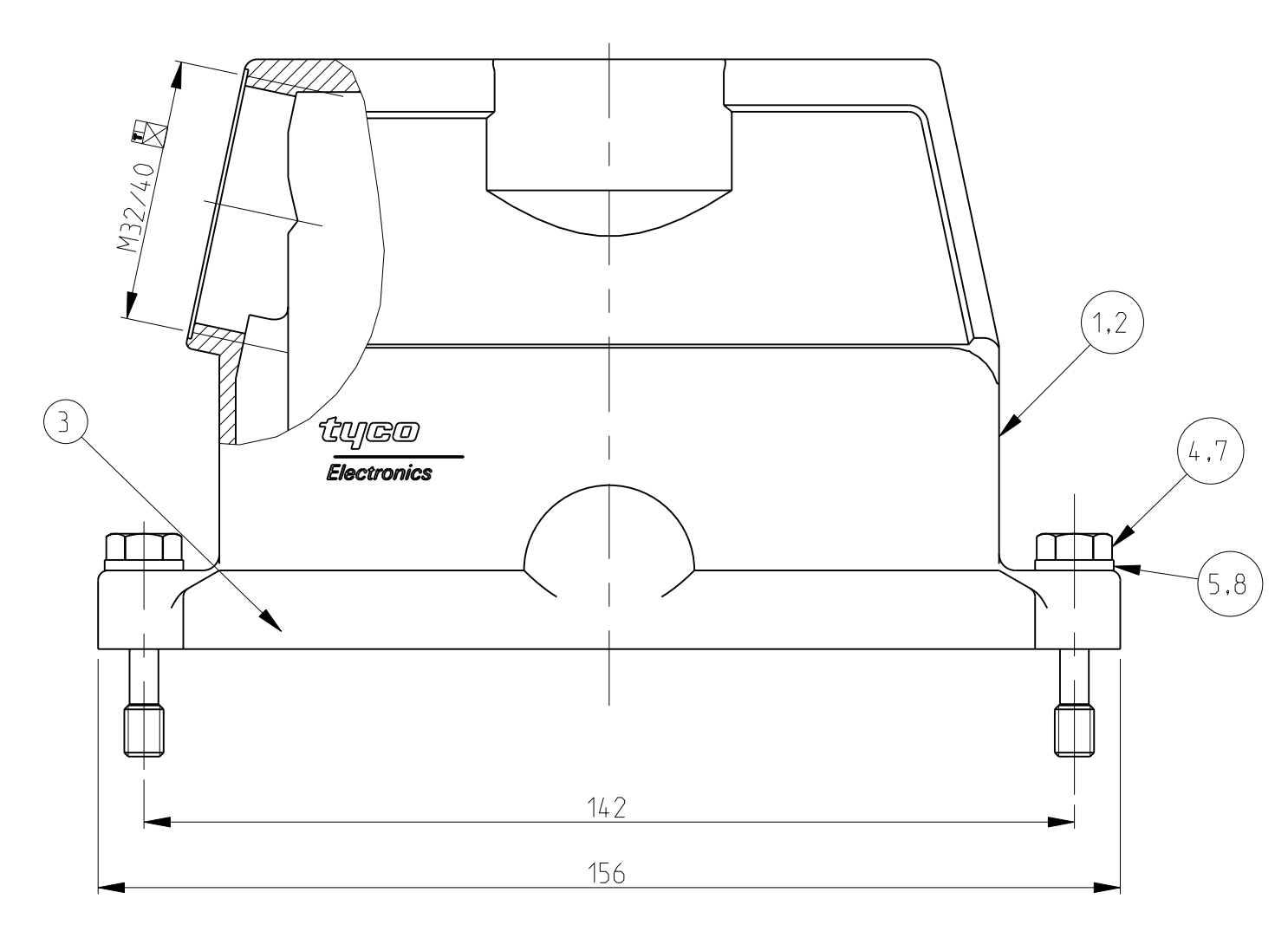
Email & Skype: info@chipsmall.com Web: www.chipsmall.com

Address: A1208, Overseas Decoration Building, #122 Zhenhua RD., Futian, Shenzhen, China



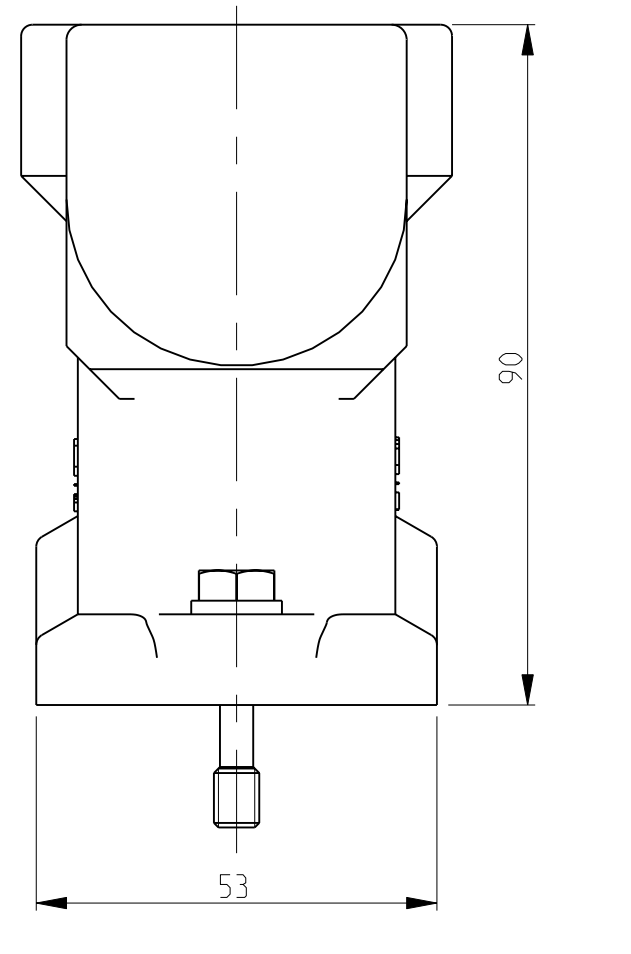
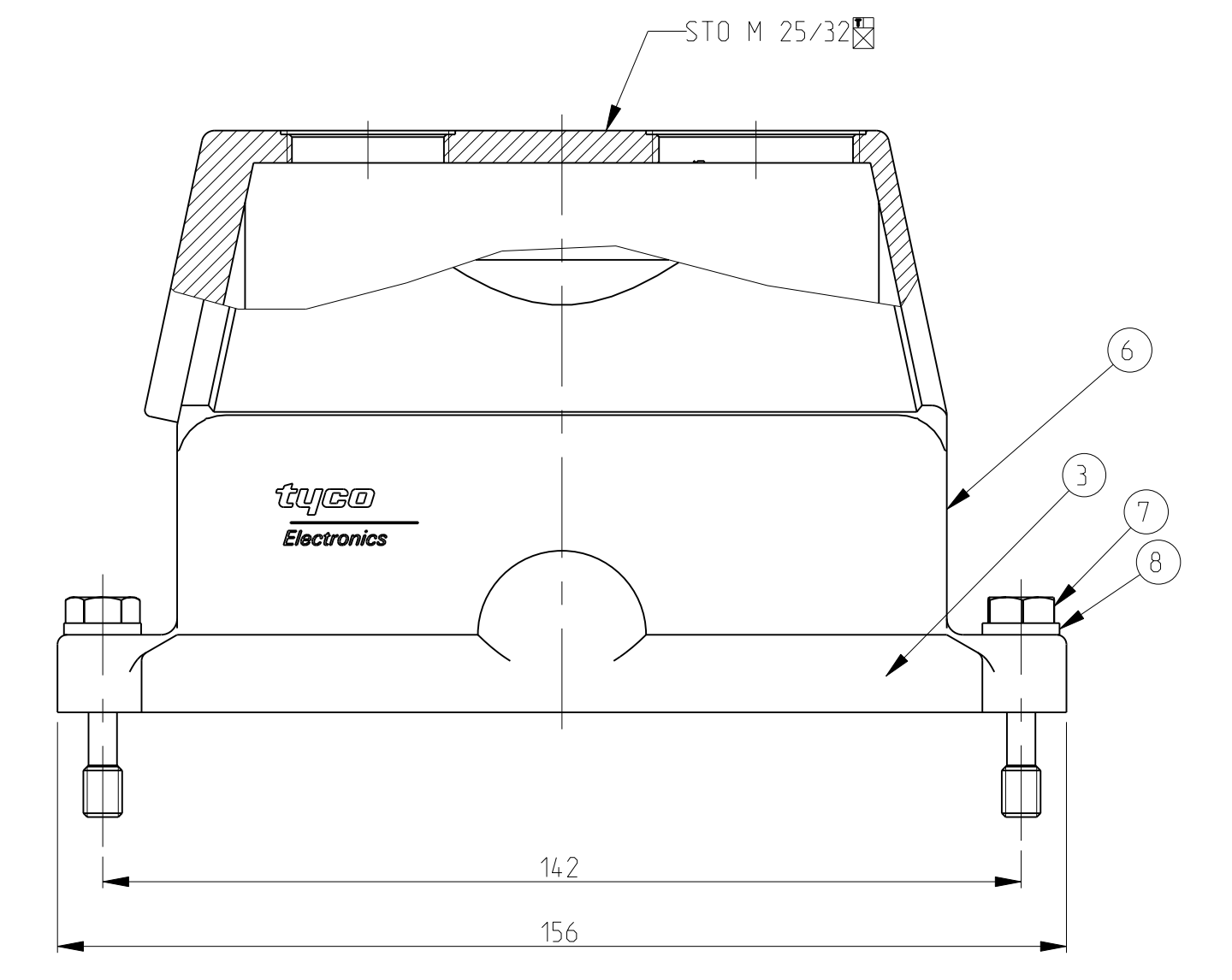
LOC	DIST	REV	DESCRIPTION	DATE	BY	APPD
A1	-	1	Released as per ECR-08-021956	29-Aug-2008	SP	TS

PN 0-2,0-3,0-8 & 1-2

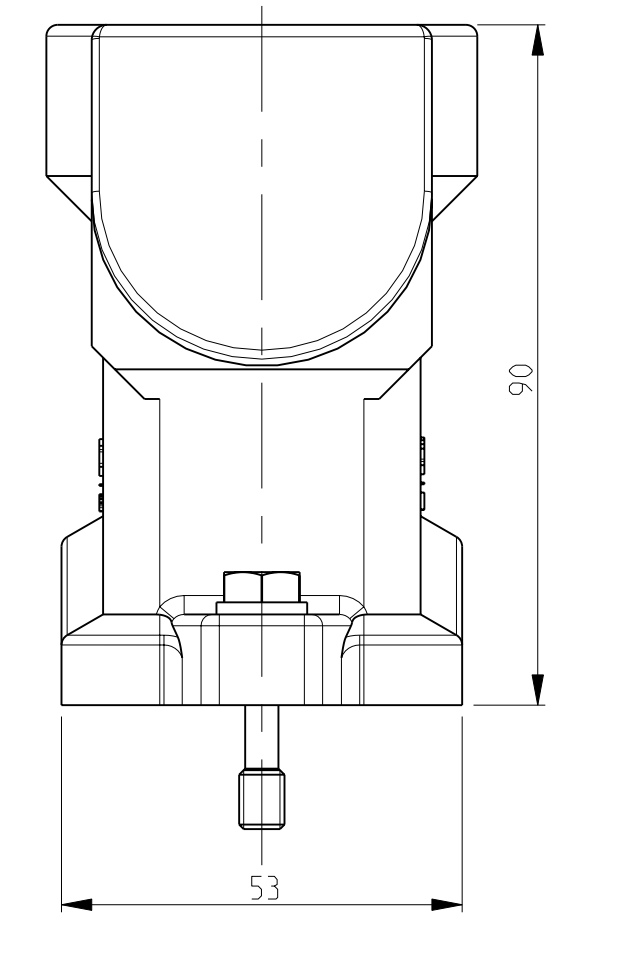
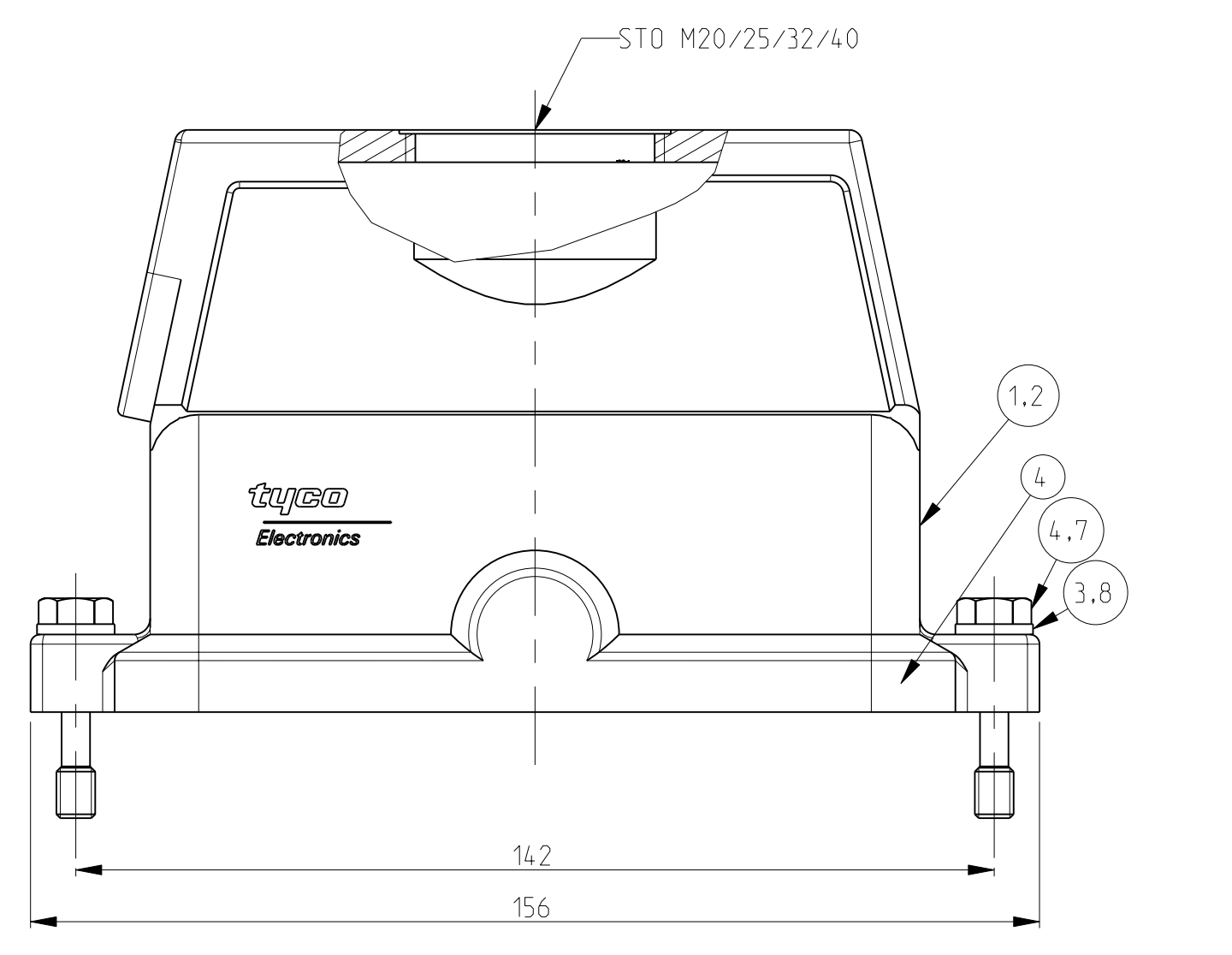


- NOTES.
- △ Material:Housing:Aluminium Diecasting Alloy
Seals:Neoprene conductivity
 - △ Surface:Varnish grey
_ChromITAL TCP passivation -Varnish Black
 - △ Packaging
Quantity 5 Pieces in a box
 - △ Special Packaging
Quantity 25 Pieces in a box
 - 5 Varnish on the inside not necessarily

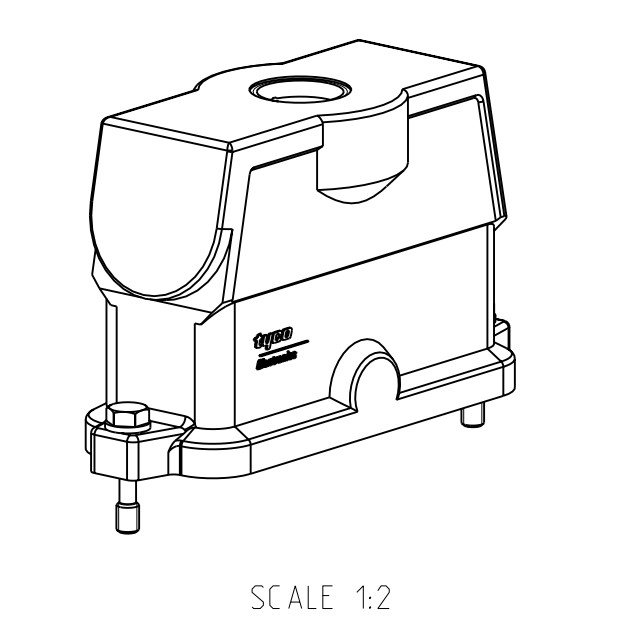
PN 0-7



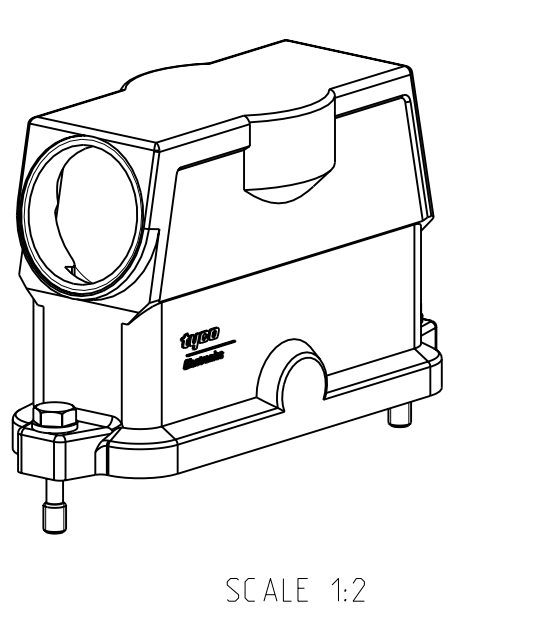
PN 0-1,0-4,0-5,0-6,1-3 & 1-6



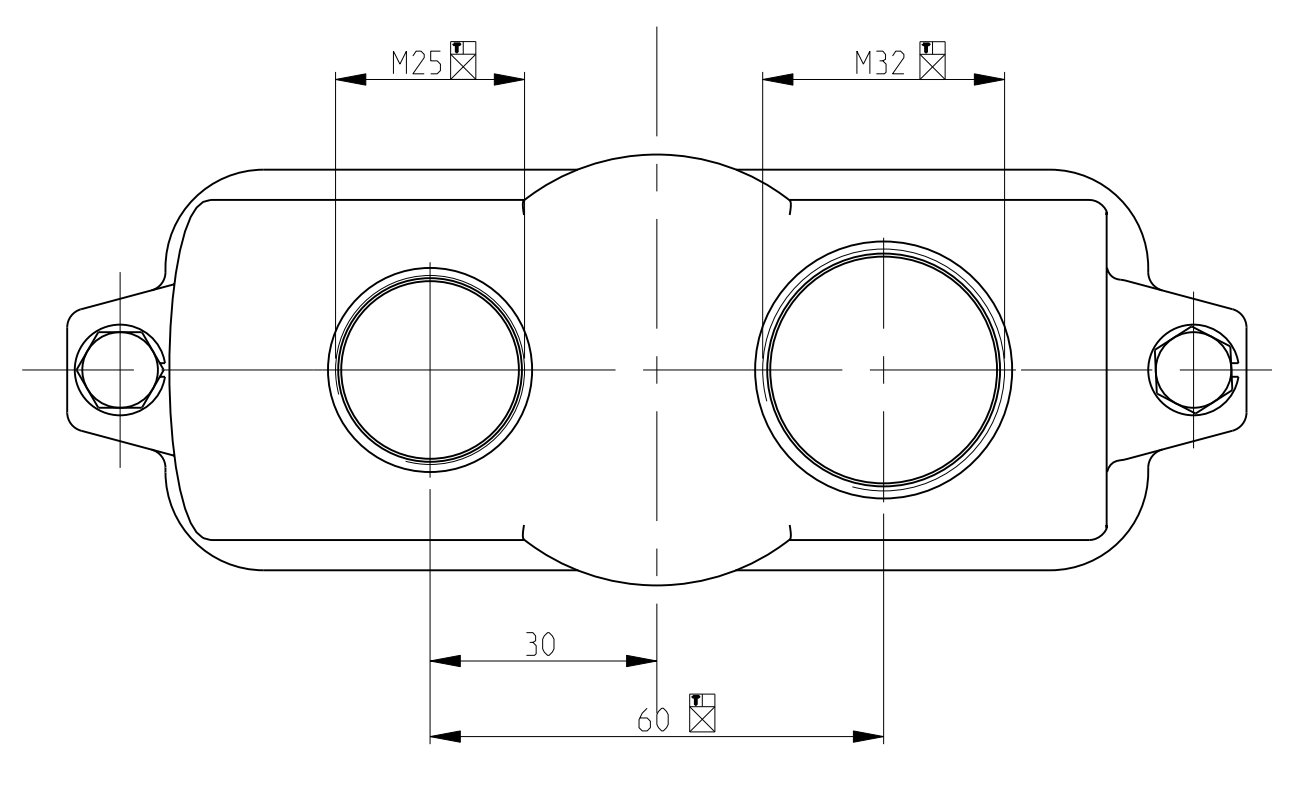
PN 0-1,0-4,0-5,0-6,1-3 & 1-6



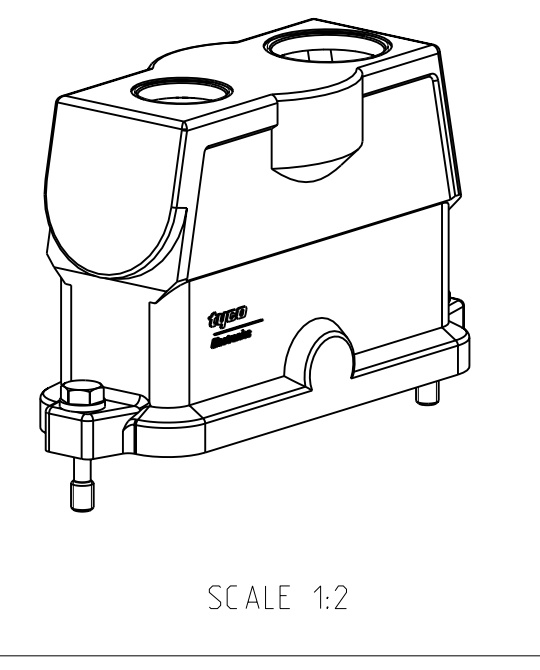
PN 1-2 With Weidmüller Logo



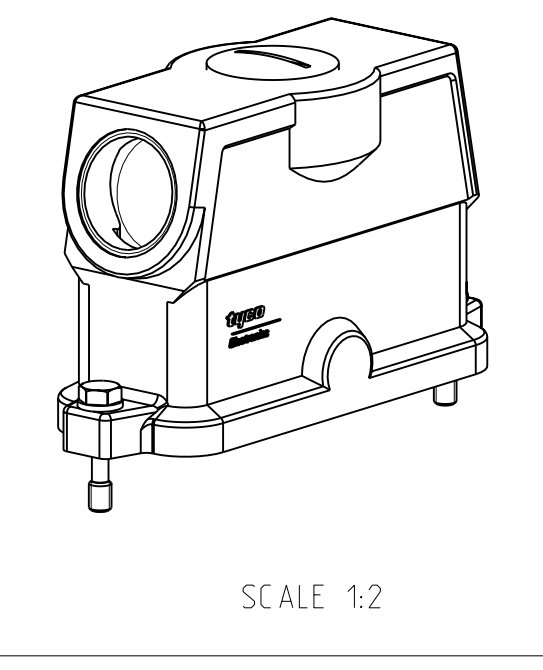
PN 0-2,0-3,0-8 & 1-2



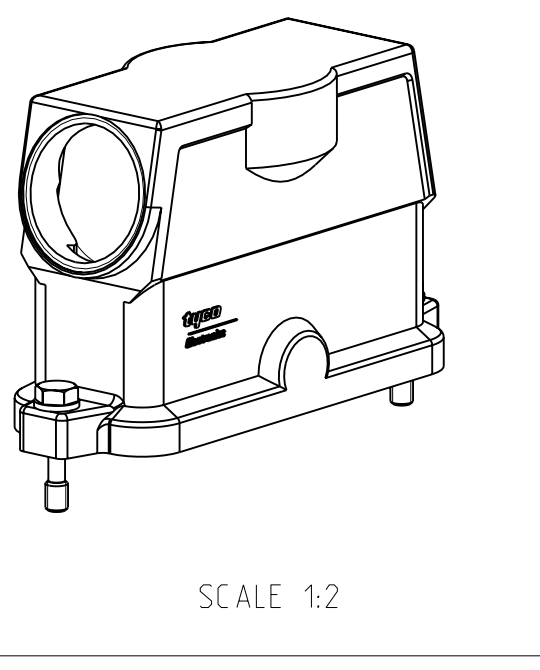
PN 0-7



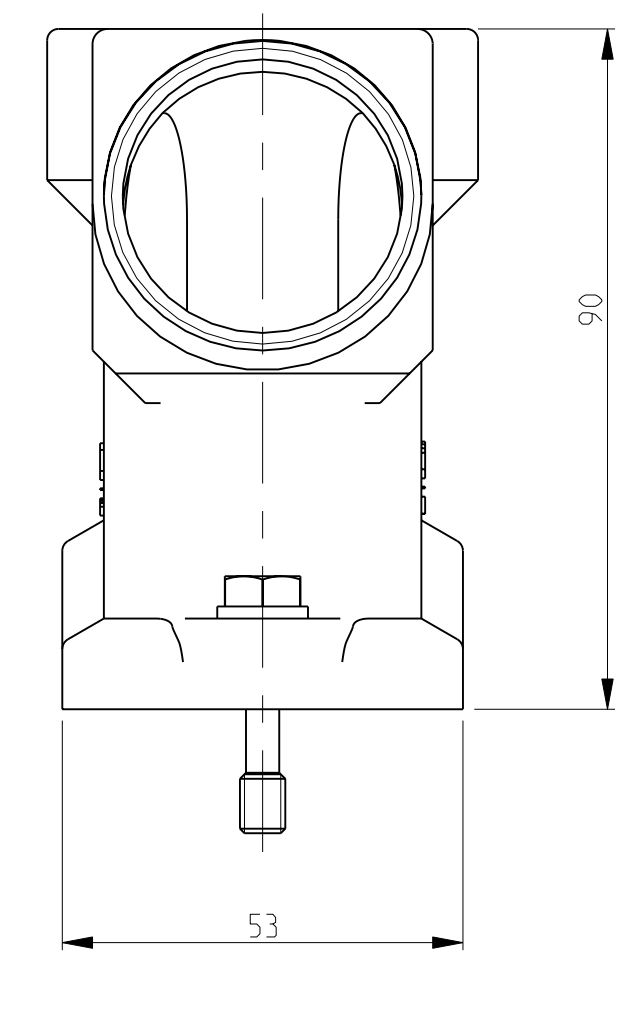
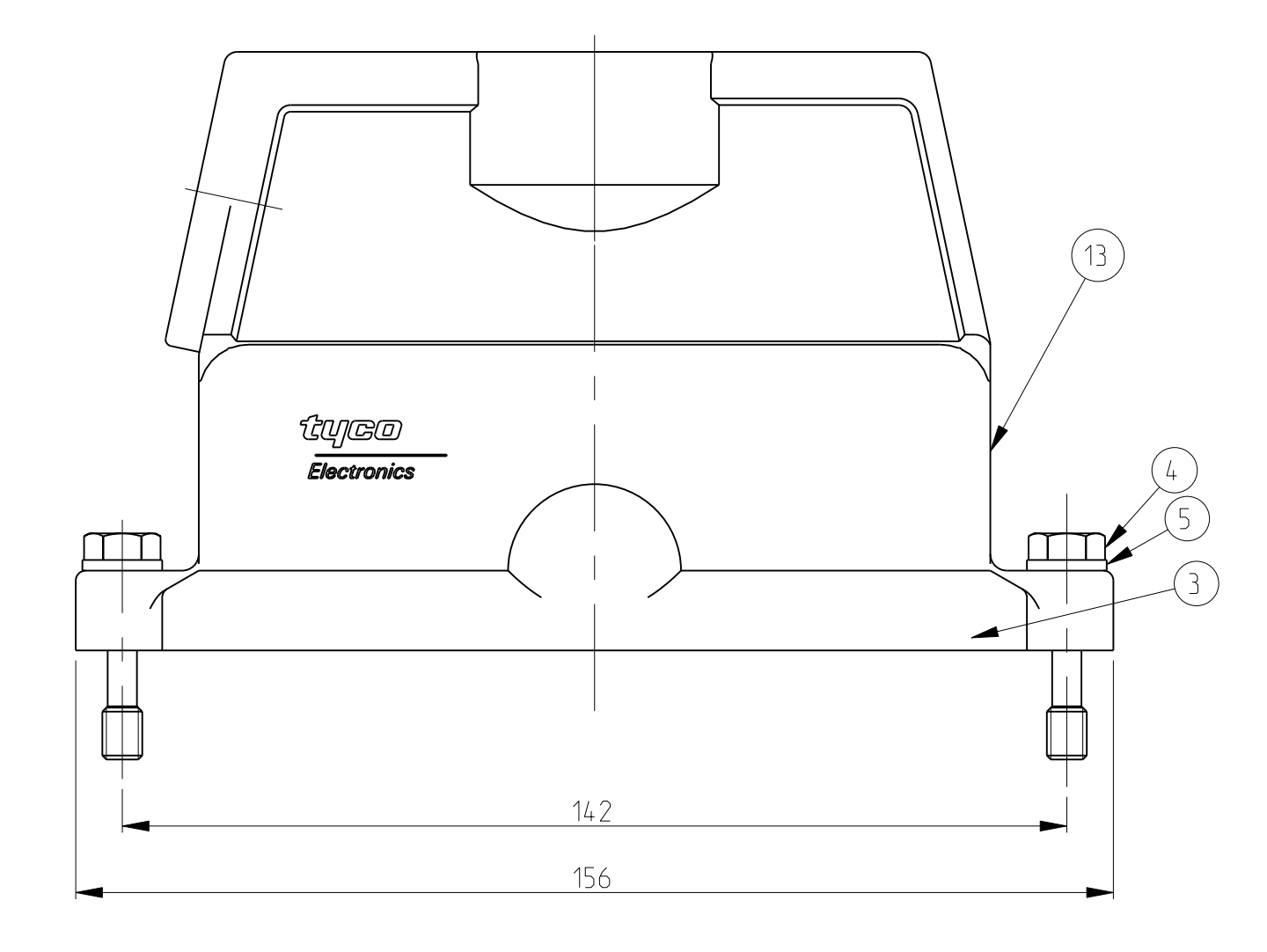
PN 0-9,1-0,1-1,1-4 & 1-8



PN 1-7,1-5 (Neutral) Without logo



PN 1-5 & 1-7 (Neutral)



QTY	DESCRIPTION	MATERIAL	SURFACE	COLOR	ITEM NO	REMARKS																	
1	Hood size 8 finished product	Aluminium	SUR TEC 650	Black RAL9005	13																		
1	Hood size 8 finished product	Aluminium		Without varnish	12																		
1	Blanking Piece	Brass	Nickel plated	Blue	11																		
1	O-Ring	Neoprene		Black	10																		
1	Hood size 8 finished product	Aluminium		White Aluminium	9																		
2	Washer, Plain	Stainless steel	Blank		8	B6.4																	
2	Screw, Hexagon Bolt	Stainless steel	Blank		7	M6x30																	
2	Hood size 8 finished product	Aluminium	SUR TEC 650	Black RAL9005	6																		
2	Washer, Plain	Stainless steel	Blank		5	B6.4																	
2	Screw, Hexagon Bolt	Stainless steel	Blank		4	M6x30																	
1	Seal	Neoprene		Black	3	Conductivity																	
1	Hood size 8 finished product	Aluminium	SUR TEC 650	Black RAL9005	2																		
1	Hood size 8 finished product	Aluminium		Grey RAL7001	1																		
1-8	1-7	1-6	1-5	1-4	1-3	1-2	1-1	1-0	0-9	0-8	0-7	0-6	0-5	0-4	0-3	0-2	0-1	DESCRIPTION	MATERIAL	SURFACE	COLOR	ITEM NO	REMARKS
																			EMV-24/64-STO-1.M40.G	△			
																			EMV-24/64-STO-1.M40.G	△			
																			EMV-K-24/64-STO-1.M40.G	△			
																			EMV-K-24/64-STO-1.M40.G	△			
																			EMV-24/64-STO-1.M20.G	△			
																			EMV-24/64-STO-1.M25.G	△			
																			EMV-K-24/64-STO-1.M32.G	△			
																			EMV-K-24/64-STO-1.M32.G	△			
																			EMV-K-24/64-STO-1.M32.G	△			
																			EMV-24/64-STO-1.M32.G	△			
																			EMV-24/64-STO-1.M32.G	△			
																			EMV-K-24/64-STO-1.M40.G-WE	△			
																			EMV-K-24/64-STO-1.M25.G	△			
																			EMV-24/64-STO-1.M32.G	△			
																			EMV-K-24/64-ST	△			
																			EMV-K-24/64-STO-1.M32.G	△			
																			EMV-K-24/64-STO-1.M40.G-Neutral	△			
																			EMV-24/64-STO-1.M32.G	△			

DATE DRAWING IS UNPUBLISHED: RELEASED FOR PUBLICATION: 01.08.2008
 C. COPYRIGHT 1997 BY TYCO ELECTRONICS CORPORATION. ALL RIGHTS RESERVED.

TYCO ELECTRONICS CORPORATION
 540 G

EMV-24/64-STO-1.M32.G

SCALE 1:1

REV A10