



Chipsmall Limited consists of a professional team with an average of over 10 year of expertise in the distribution of electronic components. Based in Hongkong, we have already established firm and mutual-benefit business relationships with customers from,Europe,America and south Asia,supplying obsolete and hard-to-find components to meet their specific needs.

With the principle of “Quality Parts,Customers Priority,Honest Operation,and Considerate Service”,our business mainly focus on the distribution of electronic components. Line cards we deal with include Microchip,ALPS,ROHM,Xilinx,Pulse,ON,Everlight and Freescale. Main products comprise IC,Modules,Potentiometer,IC Socket,Relay,Connector.Our parts cover such applications as commercial,industrial, and automotives areas.

We are looking forward to setting up business relationship with you and hope to provide you with the best service and solution. Let us make a better world for our industry!



Contact us

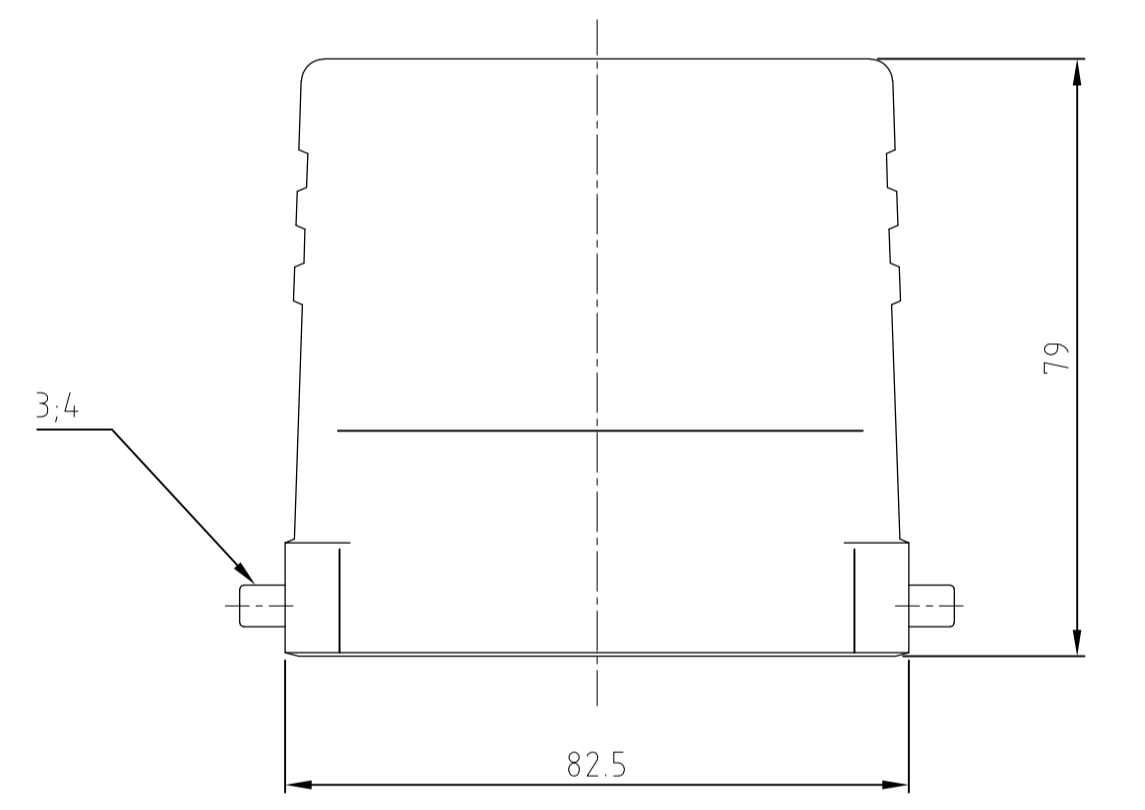
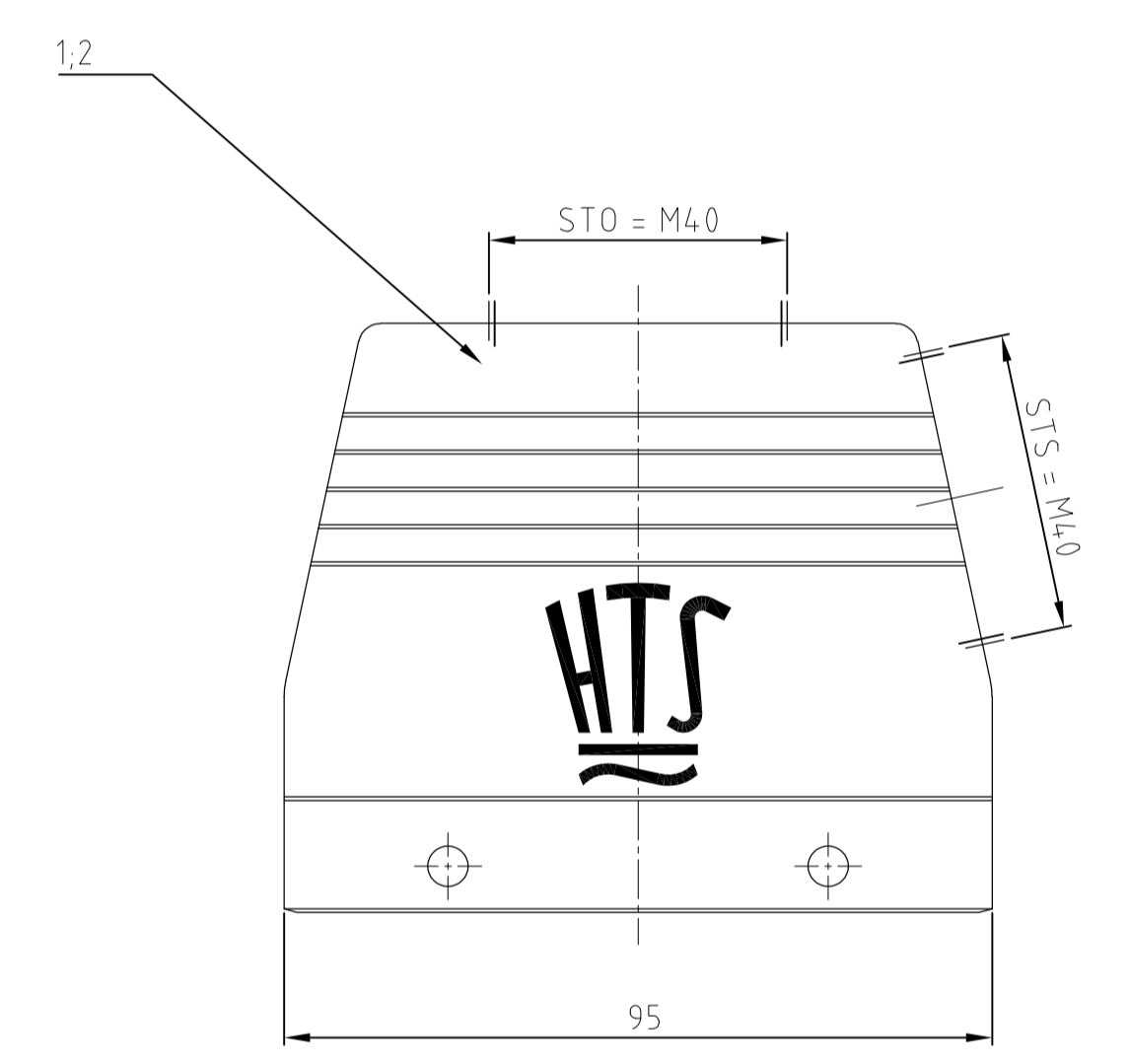
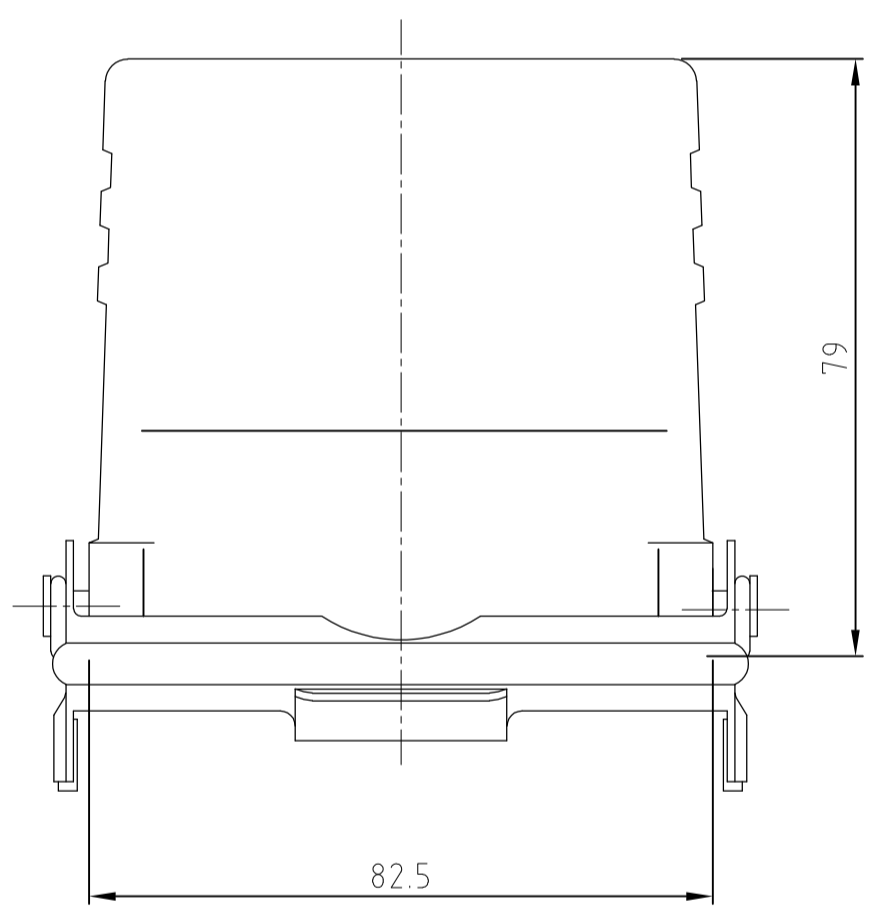
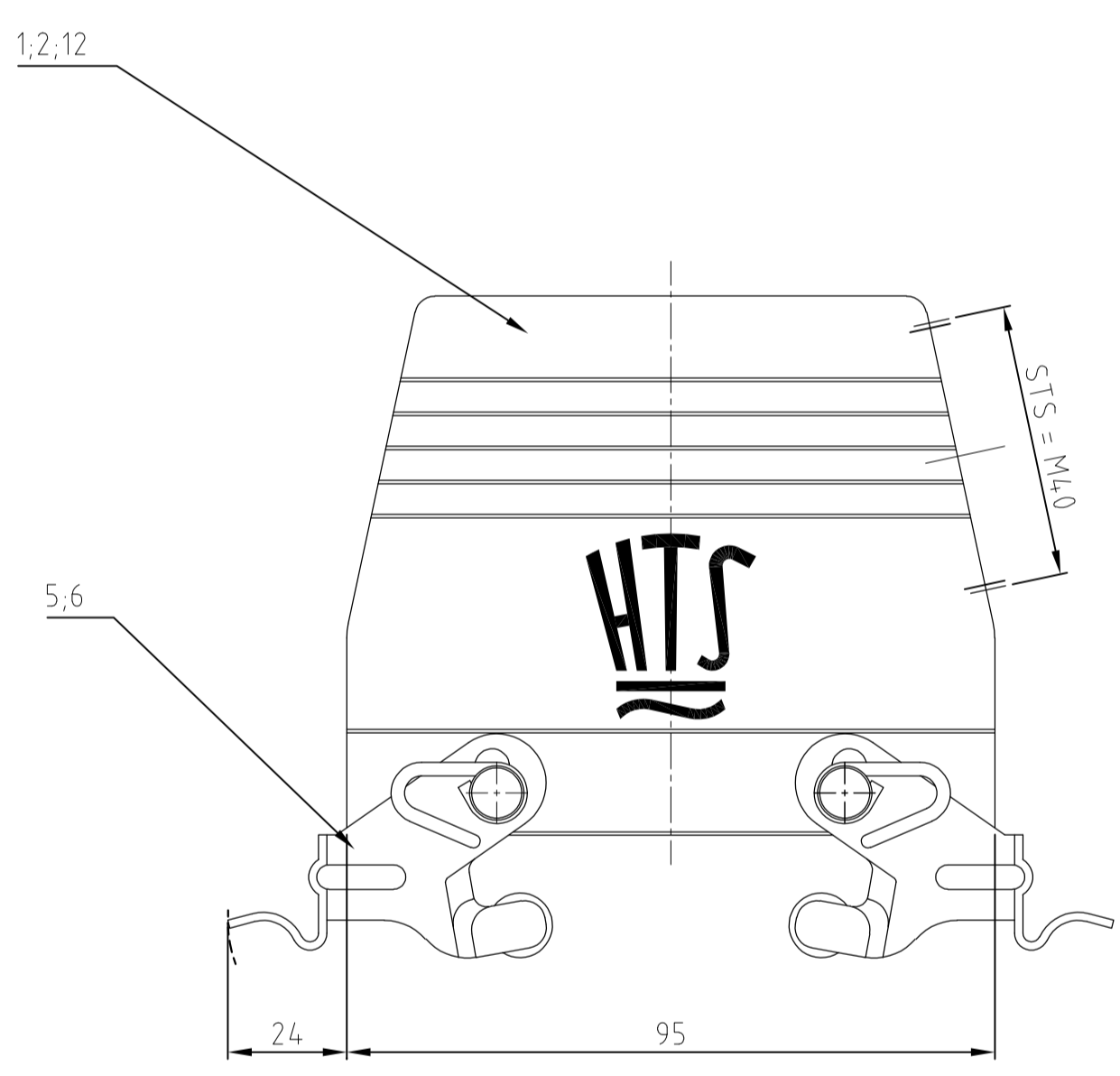
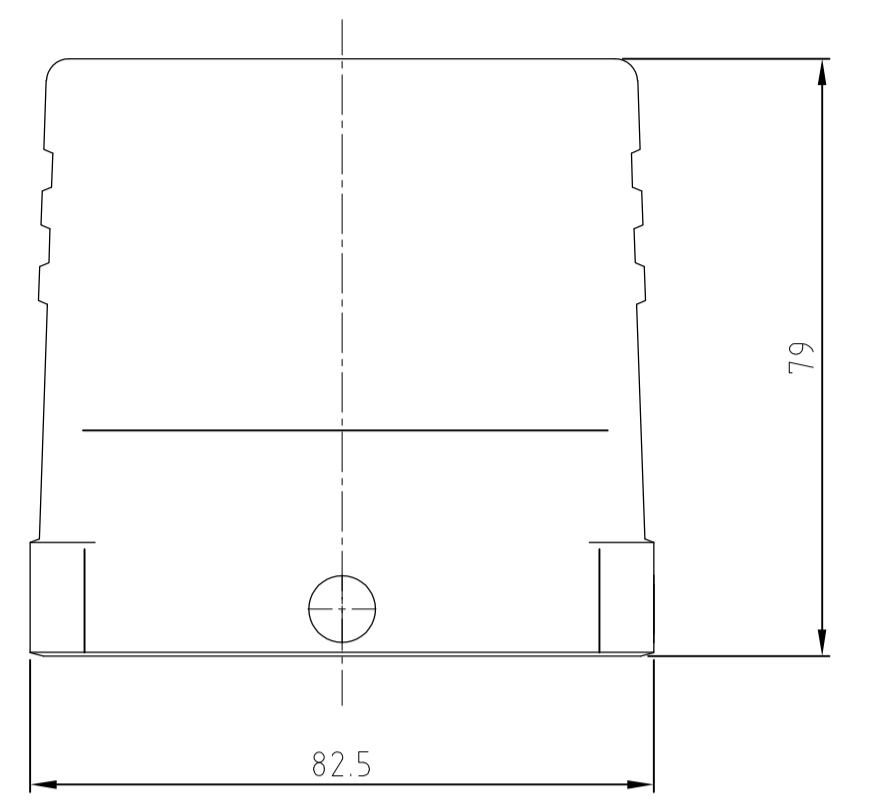
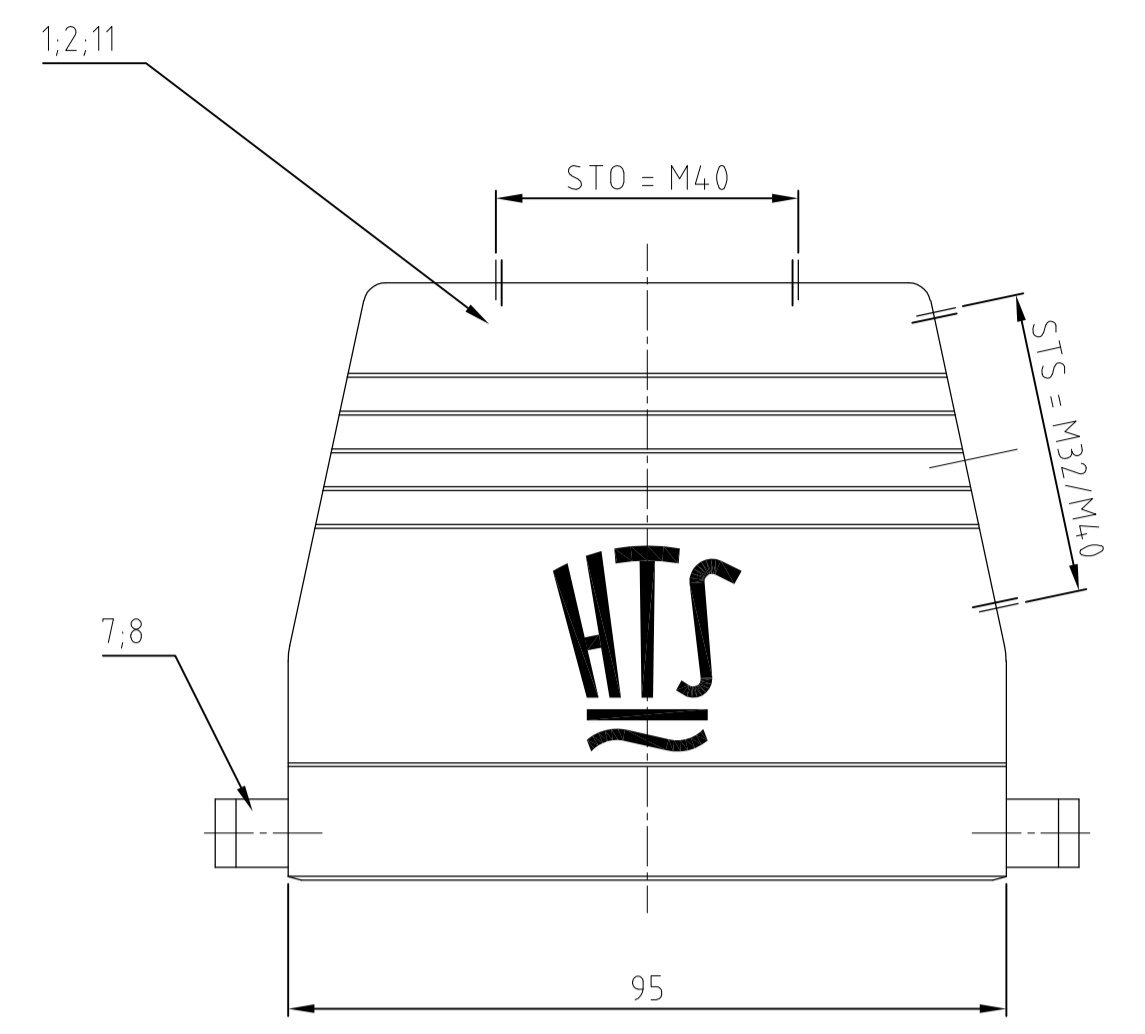
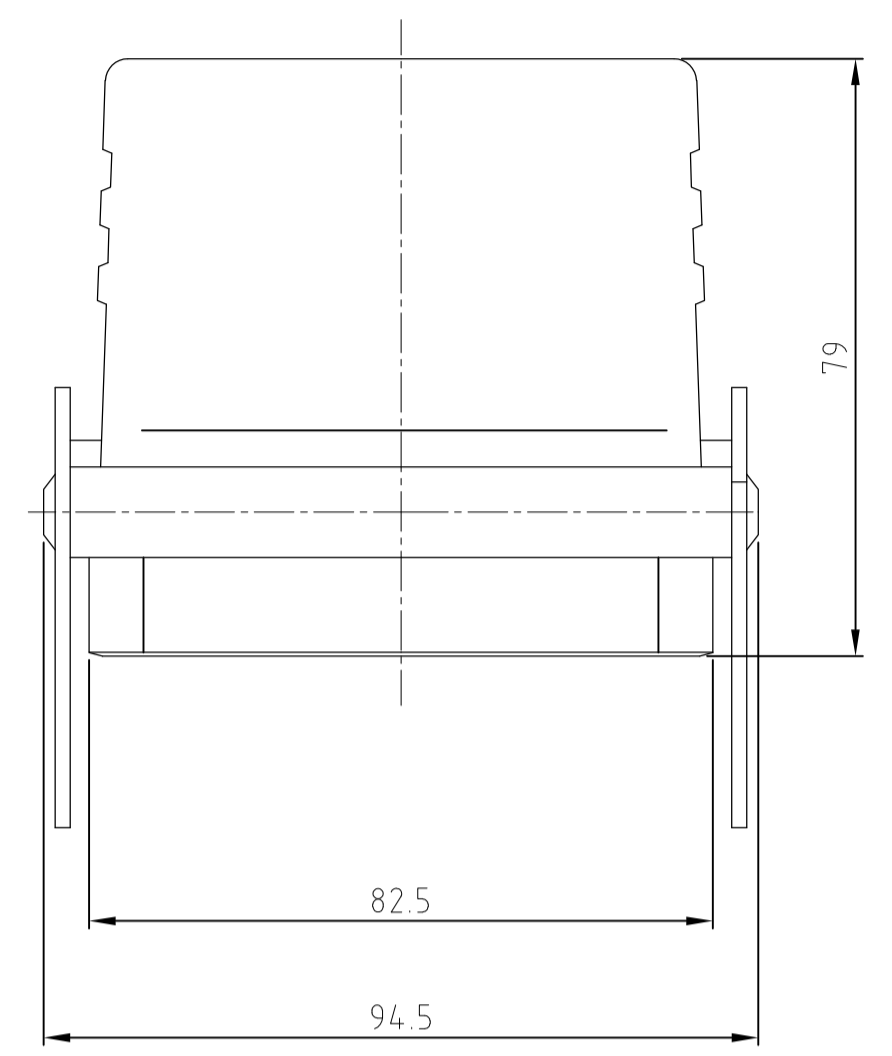
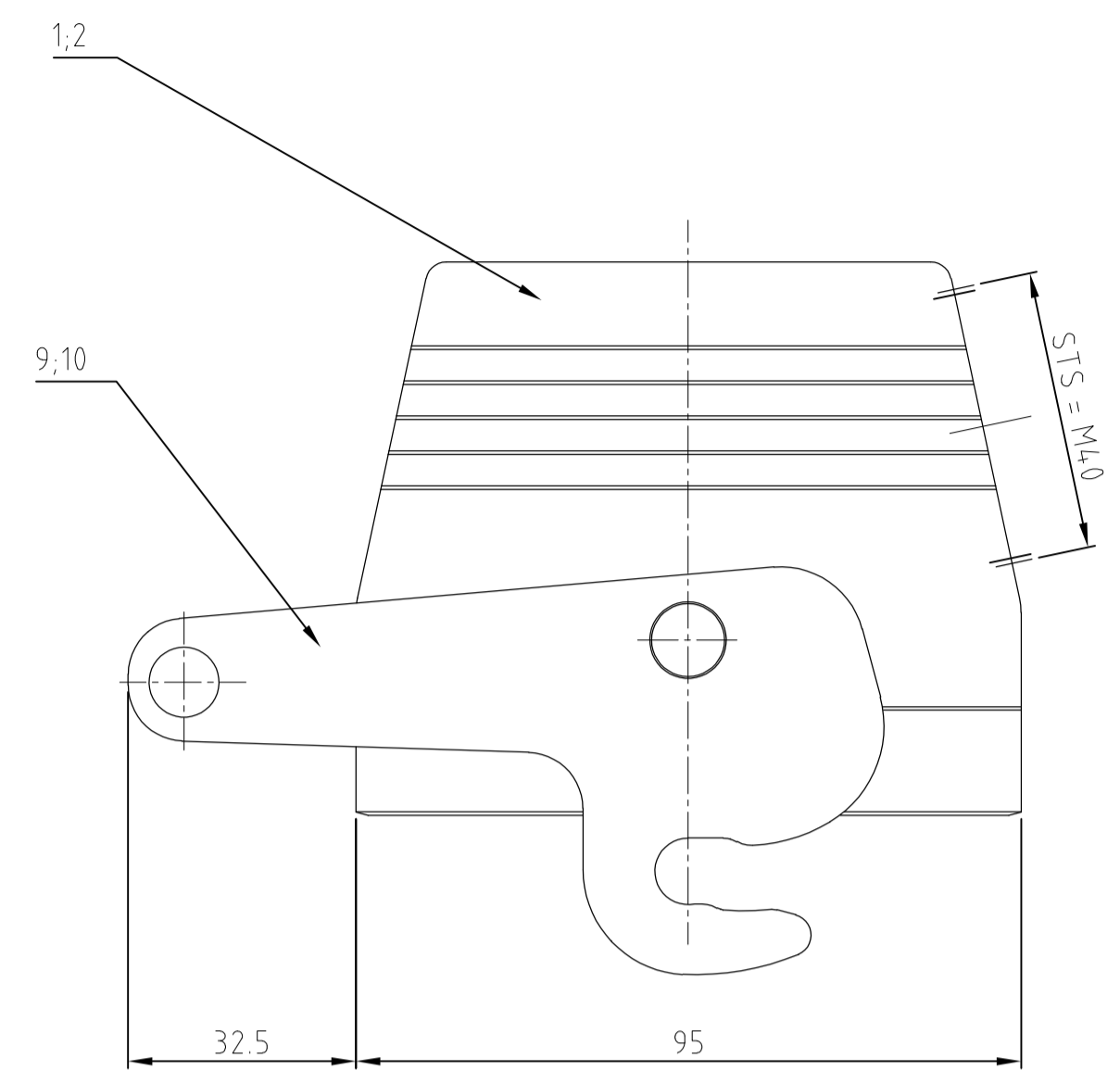
Tel: +86-755-8981 8866 Fax: +86-755-8427 6832

Email & Skype: info@chipsmall.com Web: www.chipsmall.com

Address: A1208, Overseas Decoration Building, #122 Zhenhua RD., Futian, Shenzhen, China



LOC	DIST	REV	DATE	DWN	APVD
AI	-	A3	14.01.2005	AR	SM
		A4	26MAR15	RK	MKO



- Notes
- 1 Material: Housing: aluminium diecasting alloy
 - 2 Surface: - Powder varnish grey
- aluminium oxid +
Varnish black
 - 3 Varnish on the inside not necessarily

- Bemerkungen
- 1 Material: Gehäuse: Alu-Druckguß-Legierung
 - 2 Oberfläche: - Pulverbeschichtung grau
- Aluminium-oxid-Schicht +
Lackierung schwarz
 - 3 Lackierung im Gehäuseinnere ist nicht notwendig

ITEM NO	DESCRIPTION / BENENNUNG	MATERIAL	SURFACE / OBERFLÄCHE	COLOR / FARBE	ITEM POS	REMARKS / BEMERKUNGEN
1	Steckergehäuse HB/hood	aluminium/ALU		grey/grau	12	NO LOGO
1	Steckergehäuse HB/hood	aluminium/ALU	neutral/neutral	grey/grau	11	
1	ZB-Zentralbügel/zentral clip	V2A/stainless steel	blank/blank		10	
1	ZB-Zentralbügel/zentral clip	Stahl/steel	verzinkt/zink plated	blau/blue	9	
1	LB-Bügelbolzen/clip bolt	V2A/stainless steel	blank/blank		8	
1	LB-Bügelbolzen/clip bolt	Stahl/steel	verzinkt/zink plated	blau/blue	7	
1	VS-Bügel/side clip	V2A/stainless steel	blank/blank		6	
1	VS-Bügel/side clip	Stahl/steel	verzinkt/zink plated	blau/blue	5	
1	Bügelbolzen/clip bolt	V2A/stainless steel	blank/blank		4	
1	Bügelbolzen/clip bolt	Stahl/steel	verzinkt/zink plated	blau/blue	3	
1	Steckergehäuse HB-K/hood	aluminium/ALU	aluminium oxid	black/schwarz	2	
1	Steckergehäuse HB/hood	aluminium/ALU		grey/grau	1	