



Chipsmall Limited consists of a professional team with an average of over 10 year of expertise in the distribution of electronic components. Based in Hongkong, we have already established firm and mutual-benefit business relationships with customers from,Europe,America and south Asia,supplying obsolete and hard-to-find components to meet their specific needs.

With the principle of “Quality Parts,Customers Priority,Honest Operation,and Considerate Service”,our business mainly focus on the distribution of electronic components. Line cards we deal with include Microchip,ALPS,ROHM,Xilinx,Pulse,ON,Everlight and Freescale. Main products comprise IC,Modules,Potentiometer,IC Socket,Relay,Connector.Our parts cover such applications as commercial,industrial, and automotives areas.

We are looking forward to setting up business relationship with you and hope to provide you with the best service and solution. Let us make a better world for our industry!



Contact us

Tel: +86-755-8981 8866 Fax: +86-755-8427 6832

Email & Skype: info@chipsmall.com Web: www.chipsmall.com

Address: A1208, Overseas Decoration Building, #122 Zhenhua RD., Futian, Shenzhen, China



THIS DRAWING IS UNPUBLISHED
VERTRAULICHE UNVERÖFFENTLICHE ZEICHNUNG

RELEASE FOR PUBLIKATION
FREI FUER VERÖFFENTLICHUNG

MATED WITH:
PASSEND ZU:

LOC AI
DIST -

REVISIONS
ÄNDERUNGEN

© COPYRIGHT 2000 BY AMP INCORPORATED

ALL RIGHTS RESERVED
ALLE RECHTE VORBEHALTEN

HA.16

PROJEKT NR.
EGGMA05416

P LTR

A1

NEW DRAWN

DATE DWN APVD

2/28/2006 PB ST

A3

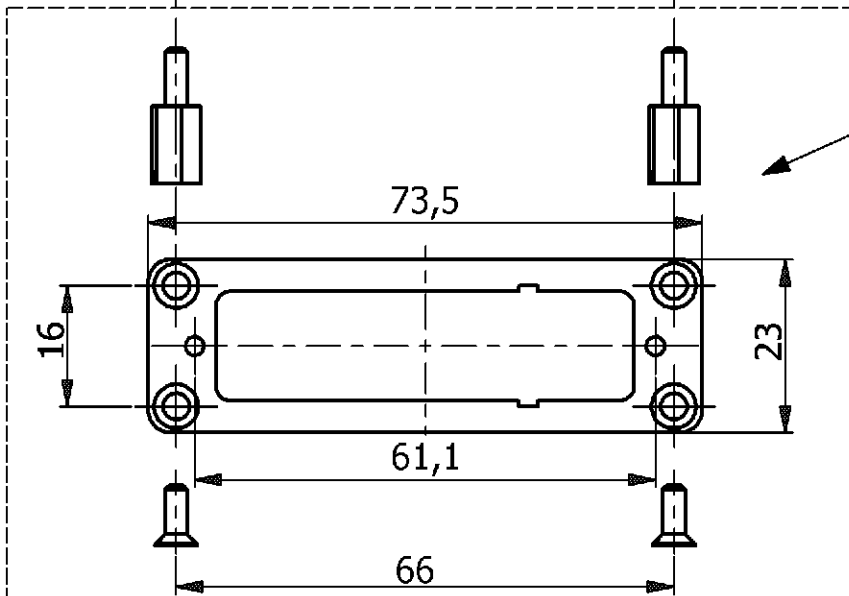
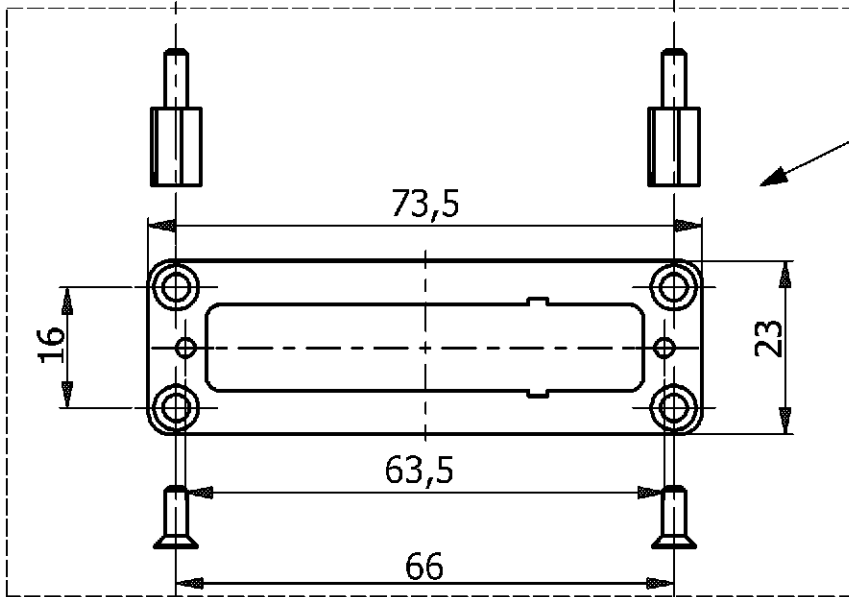
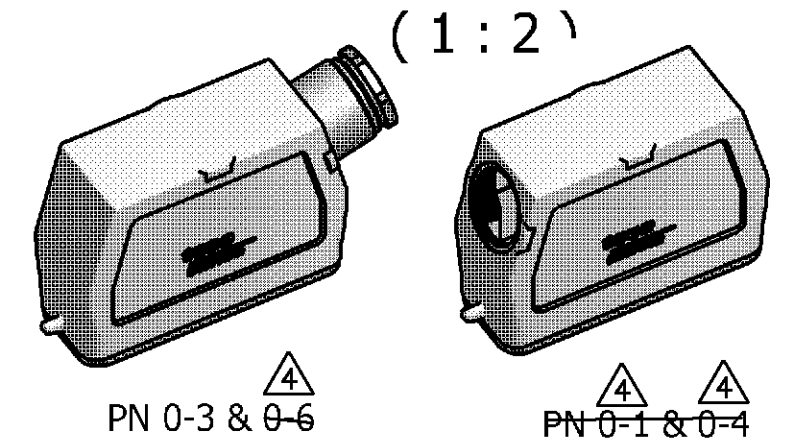
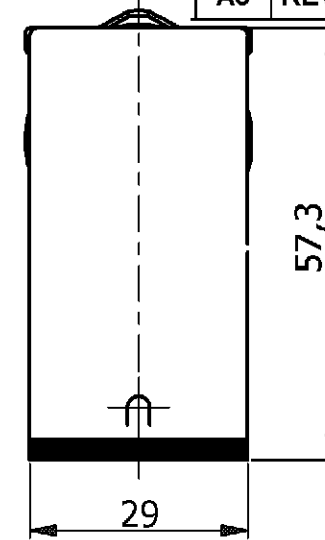
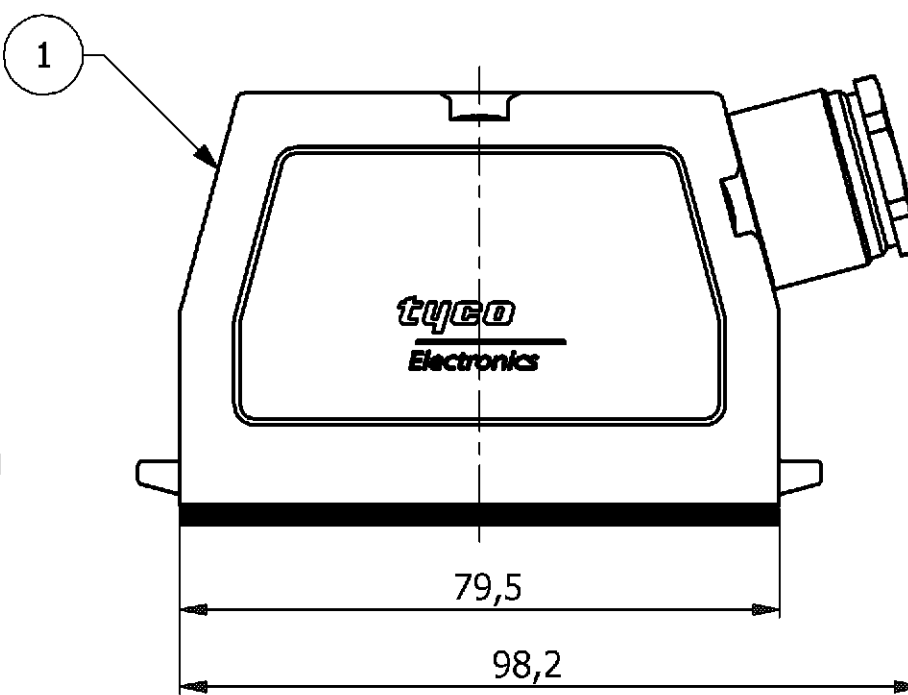
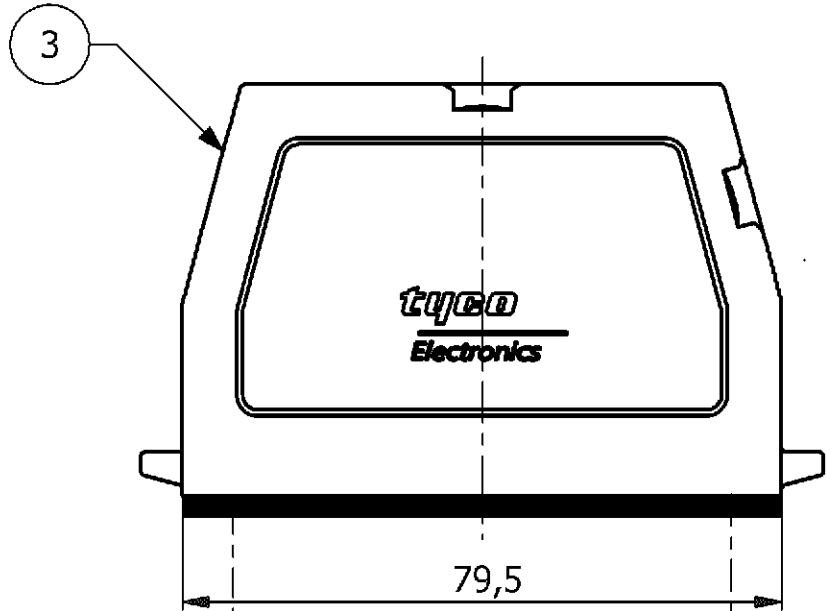
REVISED PER ECO-09-026495

28NOV09 KK

AEG

NOTES

- 1 PACKAGING QUANTITY: 5 PIECES PER BOX
- 2 MATERIAL: HOUSING: ALUMINIUM DIECASTING ALLOY
- 3 FINISH: POWDER COATED OR CORROSION PROTECTION
- 4 OBSOLETE PARTS: OBSOLETE CIS STREAMLINING PER D.RENAUD/D.SINISI



| | | | | | |
|----------|----------|----------|----------|----------|----------|
| OBSOLETE | OBSOLETE | OBSOLETE | OBSOLETE | OBSOLETE | OBSOLETE |
|----------|----------|----------|----------|----------|----------|

| | | | | | | | | | | | |
|-----|-----|-----|-----|-----|----------------------------|-------------|---------------|---------|-------|------------------------|---------|
| 1 | 1 | 1 | - | - | Set-Mounting Plate SM 1x50 | - | Nickel Plated | - | 5 | Set in Polybeutel Pack | |
| - | - | - | 1 | 1 | Set-Mounting Plate SM 1x37 | - | Nickel Plated | - | 4 | Set in Polybeutel Pack | |
| 1 | - | - | 1 | - | HOOD HA.16.STS.1.16.G | Aluminium | - | Grey | 3 | - | |
| - | - | - | - | - | HOOD HA.16.STS.1.16.Z | Aluminium | - | Grey | 2 | - | |
| - | - | 1 | - | 1 | HOOD HA.16.STS.1.16 | Aluminium | - | Grey | 1 | - | |
| 0-6 | 0-5 | 0-4 | 0-3 | 0-2 | 0-1 | DESCRIPTION | MATERIAL | SURFACE | COLOR | ITEM NO. | REMARKS |

| | | | | | | | | | | |
|-------------------------------|--|--|--|--|--|--|--|--|--|--|
| ORDERING TEXT | | | | | | | | | | |
| HA.16.SM-ST.S.1.16 AM 1x37 | | | | | | | | | | |
| HA.16.SM-ST.S.1.16.Z/ AM 1x37 | | | | | | | | | | |
| HA.16.SM-ST.S.1.16.G/ AM 1x37 | | | | | | | | | | |
| HA.16.SM-ST.S.1.16.AM 1x50 | | | | | | | | | | |
| HA.16.SM-ST.S.1.16.Z/ AM 1x50 | | | | | | | | | | |
| HA.16.SM-ST.S.1.16.G/ AM 1x50 | | | | | | | | | | |

| | | | | | | | | | | |
|---|--|--------------------------------------|--|-----------------------------|--|------------------------|--|---|--|--|
| THIS DRAWING IS A CONTROLLED DOCUMENT FOR AMP INCORPORATED. IT IS SUBJECT TO CHANGE AND THE CONTROLLING ENGINEERING ORGANIZATION SHOULD BE CONTACTED FOR THE LATEST REVISION. DIESSES ZEICHNUNGSDOKUMENT WIRD DURCH AMP INCORPORATED KONTROLLIERT. ÄNDERUNGEN, DIE DEN TECHNISCHEN FORTSCHRITT DIENTEN, SIND VORBEHALTEN. DEN JEWELIGS LETZTGÜLTIGEN ÄNDERUNGSSTAND ERFAHREN SIE AUF ANFRAGE. | | | | | | | | | | |
| DIMENSIONS: DIMENSIONEN: mm | | | | | TOLERANCES UNLESS OTHERWISE SPECIFIED: ALLGEMEINTOLERANZEN | | | | | |
| | | | | | n. ISO 8015 - mH-E n. ISO 2768 - 140 n. DIN 16901- | | | | | |
| MATERIAL | | | | | FINISH / OBERFLÄECHE / FARBE | | | | | |
| 2 | | | | | 3 | | | | | |
| DWN P.BENNUR 2/28/2006 | | CHK R.SRINIVAS 2/28/2006 | | APVD T.SCHNURPFEL 2/28/2006 | | NAME | | Tyco / Electronics AMP GmbH D - 53819 Neunkirchen | | |
| PRODUCT SPEC. PRODUKTSPEZ. | | APPLICATION SPEC. VERARBEITUNGSSPEZ. | | WEIGHT GEWICHT | | HOOD HA.16.STS.1.16-SM | | RESTRICTED TO NUR FUER | | |
| A3 | | 00779 | | 1107109 | | SCALE MASSSTAB 1:1 | | SHEET BLATT 1 OF VON 1 REV. A3 | | |
| CUSTOMER DRAWING / KUNDENZEICHNUNG | | | | | | | | | | |

H:\HTS\EGGMA05416\HA_16\HA16\HA16.A3.dwg