



Chipsmall Limited consists of a professional team with an average of over 10 year of expertise in the distribution of electronic components. Based in Hongkong, we have already established firm and mutual-benefit business relationships with customers from,Europe,America and south Asia,supplying obsolete and hard-to-find components to meet their specific needs.

With the principle of "Quality Parts,Customers Priority,Honest Operation,and Considerate Service",our business mainly focus on the distribution of electronic components. Line cards we deal with include Microchip,ALPS,ROHM,Xilinx,Pulse,ON,Everlight and Freescale. Main products comprise IC,Modules,Potentiometer,IC Socket,Relay,Connector.Our parts cover such applications as commercial,industrial, and automotives areas.

We are looking forward to setting up business relationship with you and hope to provide you with the best service and solution. Let us make a better world for our industry!



Contact us

Tel: +86-755-8981 8866 Fax: +86-755-8427 6832

Email & Skype: info@chipsmall.com Web: www.chipsmall.com

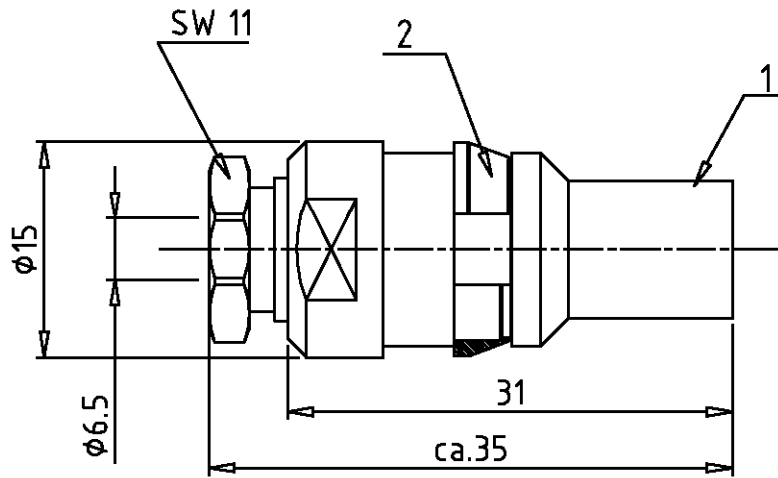
Address: A1208, Overseas Decoration Building, #122 Zhenhua RD., Futian, Shenzhen, China



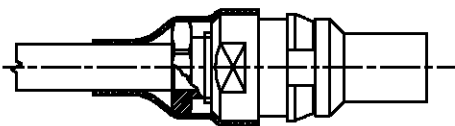
DIESES ZEICHNUNGSDOKUMENT WIRD DURCH AMP INCORPORATED KONTROLLIERT. AENDERUNGEN, DIE DEM TECHNISCHEN FORTSCHRITT DIENEN, SIND VORBEHALTEN. DEN JEWEILS LETZTGUELTIGEN AENDERUNGSSTAND ERFAHREN SIE AUF ANFRAGE.

THIS DRAWING IS A CONTROLLED DOCUMENT FOR AMP INCORPORATED. IT IS SUBJECT TO CHANGE AND THE CONTROLLING ENGINEERING ORGANIZATION SHOULD BE CONTACTED FOR THE LATEST REVISION.

MATED WITH: PASSEND ZU:	LOC	DIST	REVISIONS AENDERUNGEN					
MDL-VT-Koax	AI	-	P	LTR	DESCRIPTION BESCHREIBUNG	DATE	DWN	APVD
PROJEKT NR.: 42-94			B2	Pos. 3 geändert EG00-1068-99		31.05.99	SR	AK
			B3	Bemerkung hinzugefügt, Spec war vspec-01		Eg00-1631-00	20.06.00	AK SM



Montagehinweis Schrumpfschlauch



REMARKS

Bemerkungen

- 1 siehe Tabelle
see table
- 2 siehe Tabelle
see table
- 3 Lose Einzelteile sind im Poly-Beutel verpackt
loose piece packaged in poly-bag
- 4 Abisolierlänge der Litze siehe Spezifikation
Stripping length see spec

QTY	DESCRIPTION / BENENNUNG	MATERIAL	SURFACE/COLOR	POS.	NOTES / Bemerkung
1	Wärmeschrumpfschlauch	Polyolefin	schwarz	3	lose beigelegt
1	Clip für VT-Koax	Edelstahl	blank	2	auf Kontakt montiert
1	Kontaktstift Set VT-Koax RG 59 B/U	-	-	1	-

ORDERING NO. / BESTELLNUMMER

DIMENSIONS: DIMENSIONEN: mm	DWN	Kramer	13.03.98	MATERIAL	1	FINISH OBERFLAECHE/FARBE	2
	CHK	Schweiger	16.03.98	HTS Elektrotechnik 53819 Neunkirchen, Germany			
TOLERANCES UNLESS OTHERWISE SPECIFIED: ALLGEMEINTOLERANZEN	APVD	-	-				
ISO 8015	PRODUCT SPEC	-	-	Assy pin contact VT-Koax			
ISO 2768 - mH - E	PRODUKTSPEZ.	-	-	Zusammenstellung Kontaktstift VT-Koax			
DIN 16901 - 140	APPLICATION SPEC	114-74033	114-74033	SIZE	A4	CAGE CODE	00779
0 PLT	VERARBEITUNGSSPEZ.	-	-	DRAWING NO	1108600	RESTRICTED TO	NUR FUER
1 PLT	WEIGHT	-	-	ZEICHNUNGS-NR.	1108600	-	
2 PLT	CUSTOMER DRAWING	-	-	/KUNDENZEICHNUNG		MASSTAB	2:1
3 PLT	ANGLES / WINKEL #-				BLATT	1	OF VON 1
						B3	

1997

RELEASED FOR PUBLICATION
FREI FÜR VERÖFFENTLICHUNG

THIS DRAWING IS UNPUBLISHED.
VERTRAULICHE UNVERÖFFENTLICHTE ZEICHNUNG.

ALL RIGHTS RESERVED.
ALLE RECHTE VORBEHALTEN.
BY AMP INCORPORATED.

COPYRIGHT 1997