



Chipsmall Limited consists of a professional team with an average of over 10 year of expertise in the distribution of electronic components. Based in Hongkong, we have already established firm and mutual-benefit business relationships with customers from,Europe,America and south Asia,supplying obsolete and hard-to-find components to meet their specific needs.

With the principle of “Quality Parts,Customers Priority,Honest Operation,and Considerate Service”,our business mainly focus on the distribution of electronic components. Line cards we deal with include Microchip,ALPS,ROHM,Xilinx,Pulse,ON,Everlight and Freescale. Main products comprise IC,Modules,Potentiometer,IC Socket,Relay,Connector.Our parts cover such applications as commercial,industrial, and automotives areas.

We are looking forward to setting up business relationship with you and hope to provide you with the best service and solution. Let us make a better world for our industry!



Contact us

Tel: +86-755-8981 8866 Fax: +86-755-8427 6832

Email & Skype: info@chipsmall.com Web: www.chipsmall.com

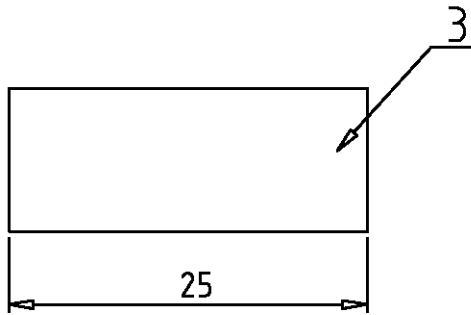
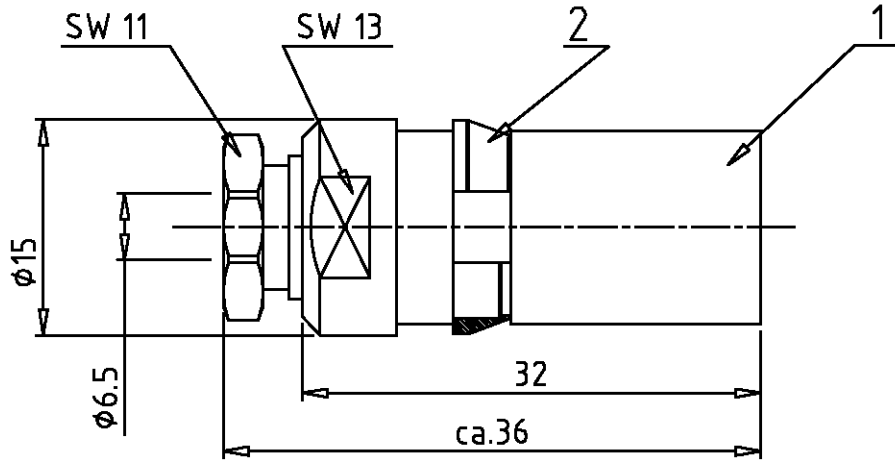
Address: A1208, Overseas Decoration Building, #122 Zhenhua RD., Futian, Shenzhen, China



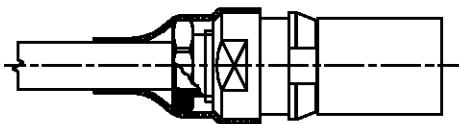
DIESES ZEICHNUNGSDOKUMENT WIRD DURCH AMP INCORPORATED KONTROLLIERT. AENDERUNGEN, DIE DEM TECHNISCHEN FORTSCHRITT DIENEN, SIND VORBEHALTEN. DEN JEWEILS LETZTGUELTIGEN AENDERUNGSSTAND ERFAHREN SIE AUF ANFRAGE.

THIS DRAWING IS A CONTROLLED DOCUMENT FOR AMP INCORPORATED. IT IS SUBJECT TO CHANGE AND THE CONTROLLING ENGINEERING ORGANIZATION SHOULD BE CONTACTED FOR THE LATEST REVISION.

MATED WITH: PASSEND ZU:	LOC	DIST	REVISIONS AENDERUNGEN					
MDL-VT-Koax	Al	-	P	LTR	DESCRIPTION BESCHREIBUNG	DATE	DWN	APVD
PROJEKT NR.: 42-94			B2	Pos. 3 geändert EG00-1068-99		31.05.99	SR	AK
			B3	Bemerkungen hinzugefügt, Spec war vspec-01		Eg00-1431-00	20.06.00	AK SM



Montagehinweis Schrumpfschlauch



REMARKS

Bemerkungen

1 siehe Tabelle
see table

2 siehe Tabelle
see table

3 lose Einzelteile sind im Poly-Beutel verpackt
loose piece packaged in poly-bag

4 Abisolierlänge der Litze siehe Spezifikation
Stripping length see spec

1	Wärmeschrumpfschlauch	Polyolefin	schwarz	3	lose beigelegt
1	Clip für VT-Koax	Edelstahl	blank	2	auf Kontakt montiert
1	Kontaktbuchse Set VT-Koax RG 59 B/U	-	-	1	-
QTY	DESCRIPTION / BENENNUNG	MATERIAL	SURFACE/COLOR	POS.	NOTES / BEMERKUNGEN
0-1	ORDERING NO. / BESTELLNUMMER				

THIS DRAWING IS UNPUBLISHED. VERTRAULICHE UNVEROFFENTLICHTE ZEICHNUNG. ALL RIGHTS RESERVED. ALLE RECHTE VORBEHALTEN. BY AMP INCORPORATED. COPYRIGHT 1997

DIMENSIONS: DIMENSIONEN: mm	DWN	Kramer	13.03.98	MATERIAL	1	FINISH OBERFLAECHE/FARBE	2
	CHK	Schweiger	31.05.99	HTS Elektrotechnik 53819 Neunkirchen, Germany			
TOLERANCES UNLESS OTHERWISE SPECIFIED: ALLGEMEINTOLERANZEN	APVD	-	-				
ISO 8015 ISO 2768 - mH - E DIN 16901 - 140	PRODUCT SPEC PRODUKTSPEZ.	-	-	SIZE	CAGE CODE	DRAWING NO ZEICHNUNGS-NR.	RESTRICTED TO NUR FUER
0 PLT 1 PLT 2 PLT 3 PLT	APPLICATION SPEC VERARBEITUNGSSPEZ.	114-74033	-	A4	00779	C-1108601	-
ANGLES / WINKEL #-	WEIGHT GEWICHT	-	-	CUSTOMER DRAWING / KUNDENZEICHNUNG		MASSSTAB 2:1	BLATT 1 OF VON 1
	CUSTOMER DRAWING		/KUNDENZEICHNUNG		MASSSTAB 2:1	BLATT 1 OF VON 1	B3