



Chipsmall Limited consists of a professional team with an average of over 10 year of expertise in the distribution of electronic components. Based in Hongkong, we have already established firm and mutual-benefit business relationships with customers from,Europe,America and south Asia,supplying obsolete and hard-to-find components to meet their specific needs.

With the principle of “Quality Parts,Customers Priority,Honest Operation,and Considerate Service”,our business mainly focus on the distribution of electronic components. Line cards we deal with include Microchip,ALPS,ROHM,Xilinx,Pulse,ON,Everlight and Freescale. Main products comprise IC,Modules,Potentiometer,IC Socket,Relay,Connector.Our parts cover such applications as commercial,industrial, and automotives areas.

We are looking forward to setting up business relationship with you and hope to provide you with the best service and solution. Let us make a better world for our industry!



## Contact us

Tel: +86-755-8981 8866 Fax: +86-755-8427 6832

Email & Skype: info@chipsmall.com Web: www.chipsmall.com

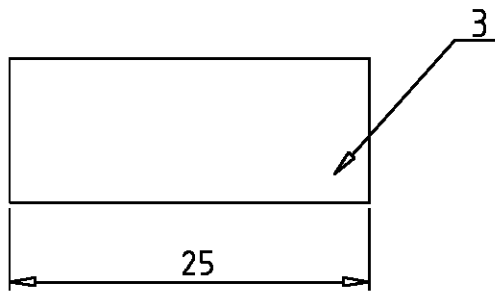
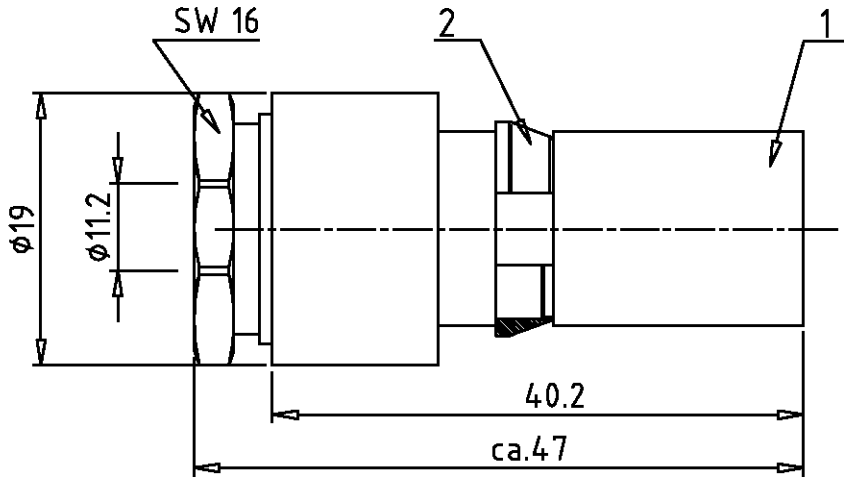
Address: A1208, Overseas Decoration Building, #122 Zhenhua RD., Futian, Shenzhen, China



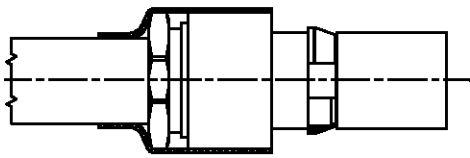
DIESES ZEICHNUNGSDOKUMENT WIRD DURCH AMP INCORPORATED KONTROLLIERT. AENDERUNGEN, DIE DEM TECHNISCHEN FORTSCHRITT DIENEN, SIND VORBEHALTEN. DEN JEWELNS LETZTGUELTIGEN AENDERUNGSSTAND ERFAHREN SIE AUF ANFRAGE.

THIS DRAWING IS A CONTROLLED DOCUMENT FOR AMP INCORPORATED. IT IS SUBJECT TO CHANGE AND THE CONTROLLING ENGINEERING ORGANIZATION SHOULD BE CONTACTED FOR THE LATEST REVISION.

MATED WITH: PASSEND ZU:	LOC	DIST	REVISIONS AENDERUNGEN					
MDL-VT-Koax	AI	-	P	LTR	DESCRIPTION BESCHREIBUNG	DATE	DWN	APVD
PROJEKT NR.:	E97-68014		C2	Pos. 3 geändert EG00-1068-99		31.05.99	SR	AK
			C3	Bemerkung hinzu, Spec war vspec-02		EG00-1431-00	28.06.00	AK SM



Montagehinweis Schrumpfschlauch



REMARKS

Bemerkungen



siehe Tabelle  
see table



siehe Tabelle  
see table

3

Lose Einzelteile sind im Poly-Beutel verpackt  
loose piece packaged in poly-bag

4

Abisolierlänge der Litze siehe Spezifikation  
Stripping length see spec



1	Wärmeschrumpfschlauch	Polyolefin	schwarz	3	lose beigelegt
1	Clip für VT-Koax	Edelstahl	blank	2	auf Kontakt montiert
1	Kontaktbuchse Set VT-Koax 2,8/7,3	-	-	1	-
QTY	DESCRIPTION / BENENNUNG	MATERIAL	SURFACE/COLOR	POS.	NOTES / BEMERKUNGEN

ORDERING NO. / BESTELLNUMMER

DIMENSIONS: DIMENSIONEN: mm  TOLERANCES UNLESS OTHERWISE SPECIFIED: ALLGEMEINTOLERANZEN P.P. ISO 8015 P.P. ISO 2768 - mH - E P.P. DIN 16901 - 140  ANGLES / WINKEL #-  	DWN	Kramer	16.03.98	MATERIAL	1	FINISH OBERFLAECHE/FARBE	2							
	CHK	Schweiger	11.09.98	HTS Elektrotechnik 53819 Neunkirchen, Germany										
	APVD	-	-											
	PRODUCT SPEC PRODUKTSPEZ.	-			NAME Assy socket contact VT-Koax Zusammenstellung Kontaktbuchse VT-Koax									
APPLICATION SPEC VERARBEITUNGSSPEZ.	114-74034			SIZE	A4	CAGE CODE	00779	DRAWING NO ZEICHNUNGS-NR.	C-1108617	RESTRICTED TO NUR FUER	-			
WEIGHT GEWICHT	-			CUSTOMER DRAWING		/KUNDENZEICHNUNG		MASSSTAB	2:1	BLATT	1	OF VON	1	C3

.1997

RELEASED FOR PUBLICATION  
FREI FUER VEROFFENTLICHUNG

THIS DRAWING IS UNPUBLISHED.  
VERTRAULICHE UNVEROFFENTLICHE ZEICHNUNG.

ALL RIGHTS RESERVED.  
ALLE RECHTE VORBEHALTEN.  
BY AMP INCORPORATED.

COPYRIGHT 1997