



Chipsmall Limited consists of a professional team with an average of over 10 year of expertise in the distribution of electronic components. Based in Hongkong, we have already established firm and mutual-benefit business relationships with customers from,Europe,America and south Asia,supplying obsolete and hard-to-find components to meet their specific needs.

With the principle of “Quality Parts,Customers Priority,Honest Operation,and Considerate Service”,our business mainly focus on the distribution of electronic components. Line cards we deal with include Microchip,ALPS,ROHM,Xilinx,Pulse,ON,Everlight and Freescale. Main products comprise IC,Modules,Potentiometer,IC Socket,Relay,Connector.Our parts cover such applications as commercial,industrial, and automotives areas.

We are looking forward to setting up business relationship with you and hope to provide you with the best service and solution. Let us make a better world for our industry!



Contact us

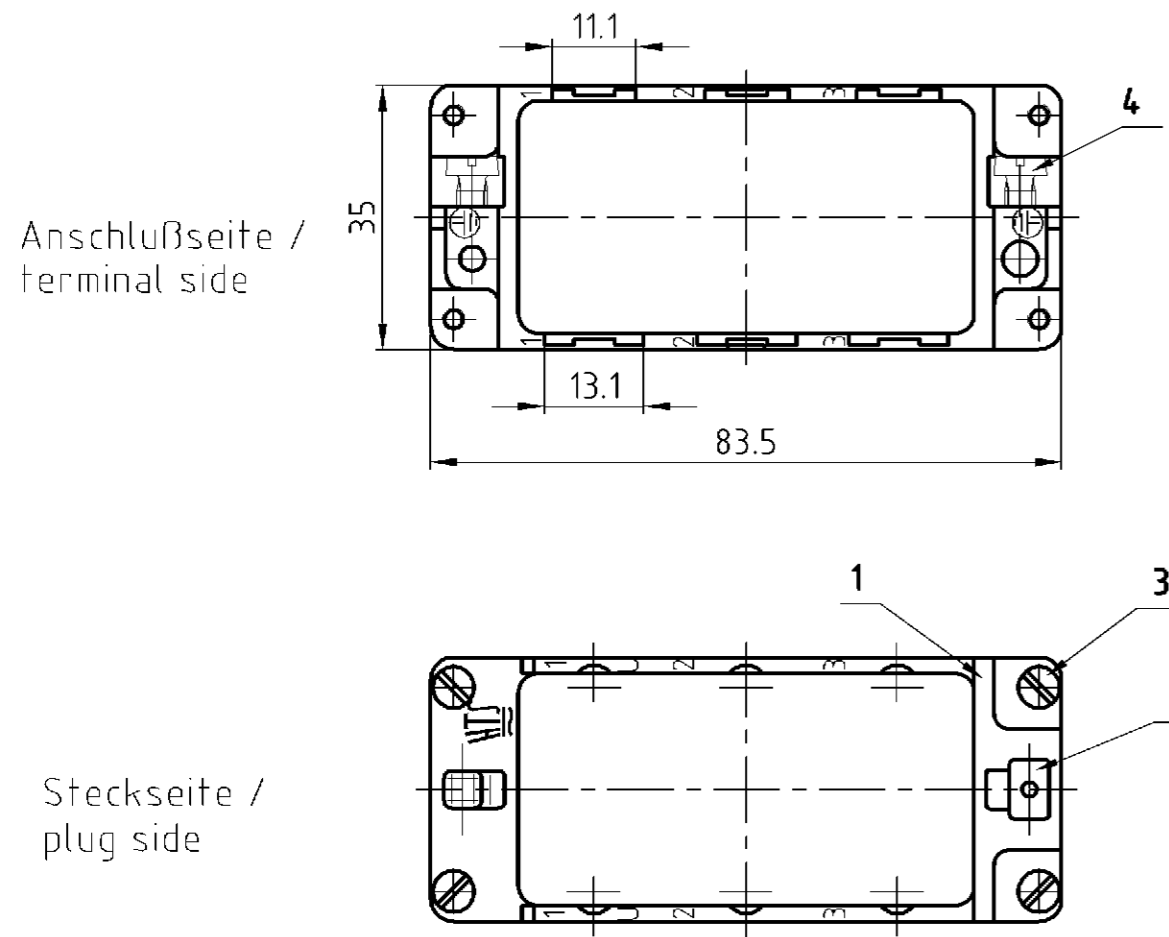
Tel: +86-755-8981 8866 Fax: +86-755-8427 6832

Email & Skype: info@chipsmall.com Web: www.chipsmall.com

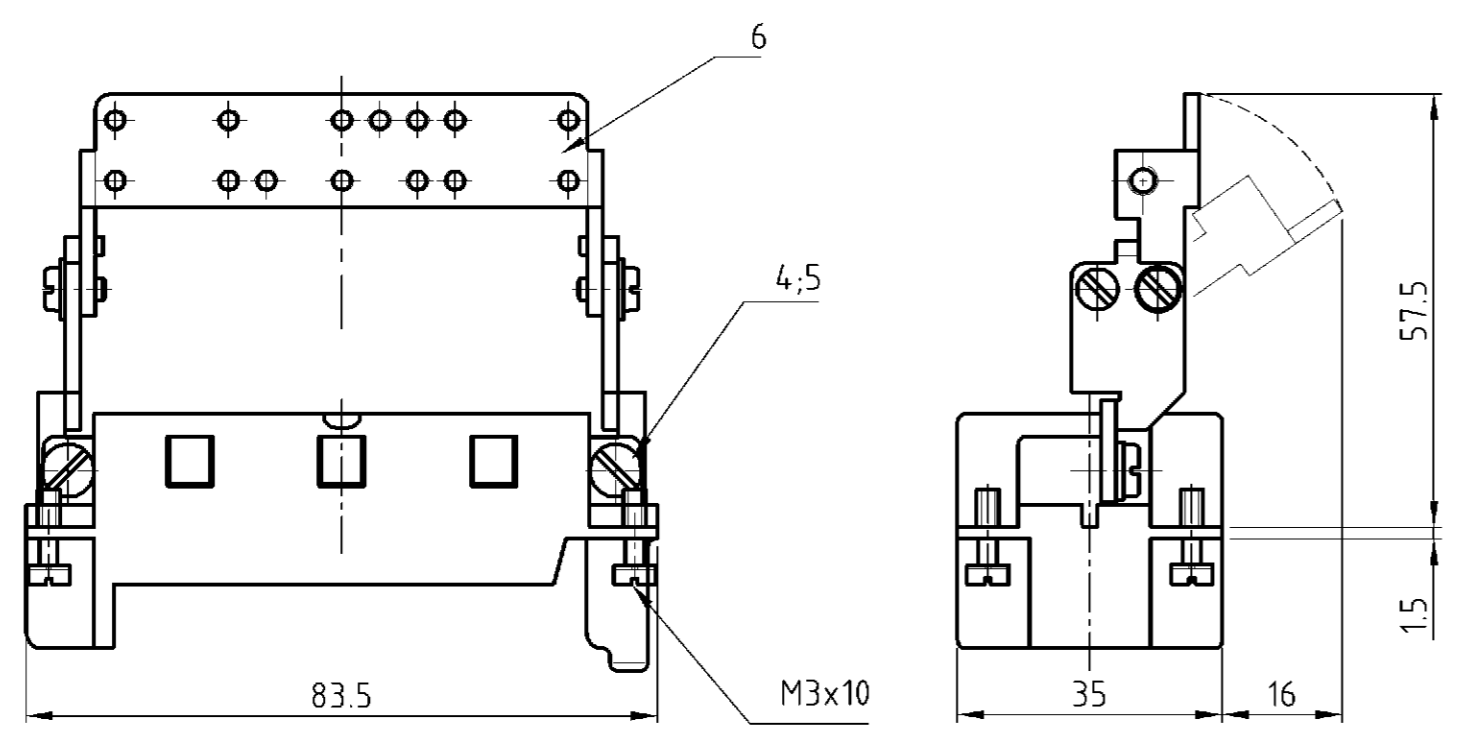
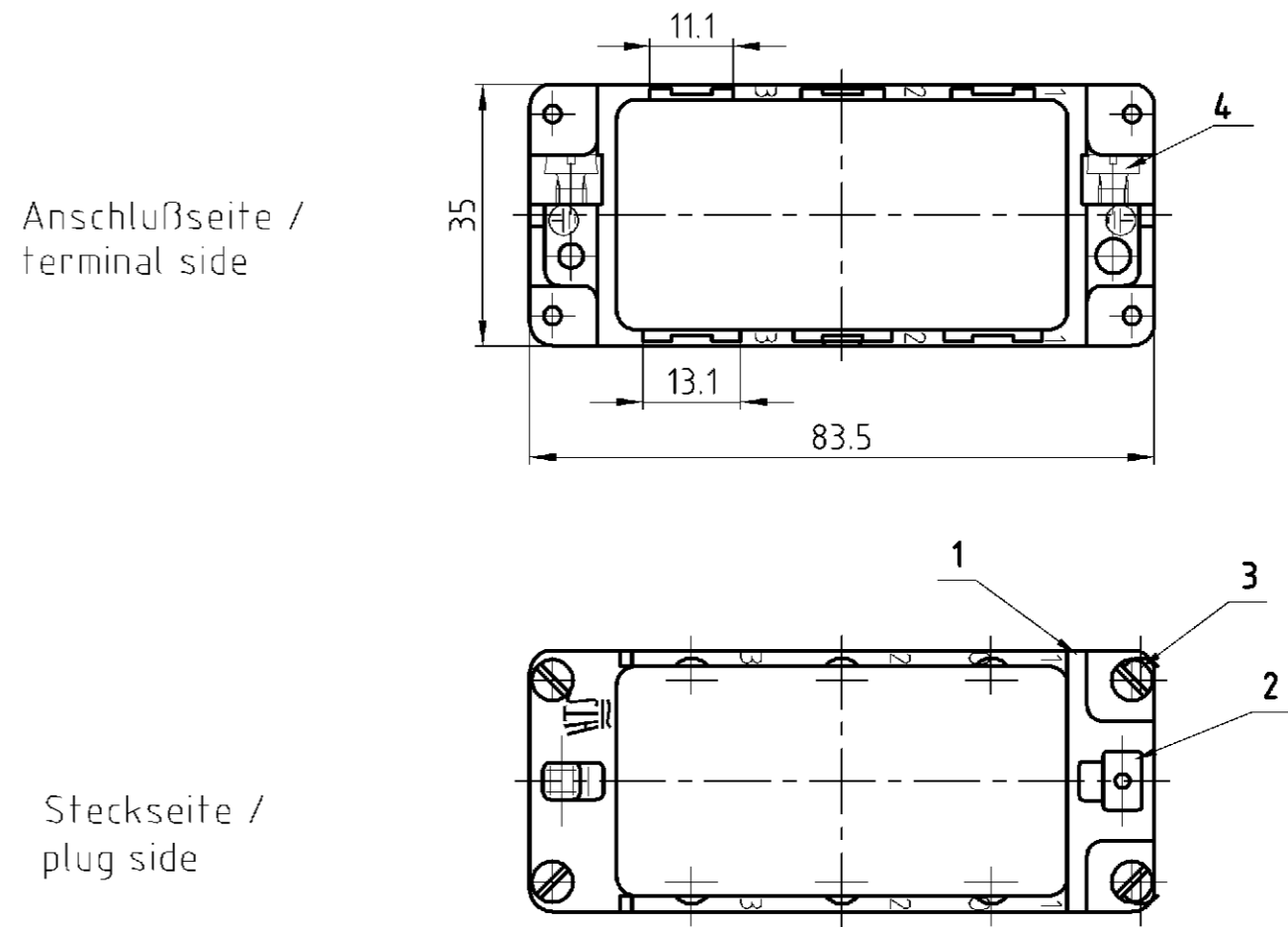
Address: A1208, Overseas Decoration Building, #122 Zhenhua RD., Futian, Shenzhen, China



**Unterteil /
bottom**



**Oberteil /
upper part**



1	2	DESCRIPTION / BENENNUNG		MATERIAL	SURFACE/COLOR	ITEM NO. Pos.	NOTES / BEMERKUNGEN		
1	1	Schirmbügel schwenkbar / screen termination rotating		Stahl / steel	Verzinkt / tin plated	6			
2	2	Federring / spring lock washer		Stahl / steel	Verzinkt / tin plated	5	DIN 128 - A4		
2	2	2	2	2	Zylinderschr. mit Schlitz / cylinder screw with slit	Messing / brass	Vernickelt / nickel plated	4	M4x10
4	4	4	4	4	Befestigungsschraube / fixing screw	Stahl / steel	Vernickelt / nickel plated	3	M3x10
1	1	1	1	1	Erdkontaktfeder / spring f. grounding cont.	Bronze / bronze	Vernickelt / nickel plated	2	
1	1	1	1	1	Modulrahmen / module frame	Zink-Leg / zinc alloy	Verzinkt / tin plated	1	

MDL2-GR.U-6/SB.B1-3	MDL2-GR.U-6.B4-6	MDL2-GR.O-6.B4-6	MDL2-GR.O-6/SB.B1-3	MDL2-GR.U-6.B1-3	MDL2-GR.O-6.B1-3	ORDERING TEXT/BESTELLTEXT	1	2
<small>THIS DRAWING IS A CONTROLLED DOCUMENT FOR AMP INCORPORATED. IT IS SUBJECT TO CHANGE AND THE CONTROLLING ENGINEERING ORGANIZATION SHOULD BE CONTACTED FOR THE LATEST REVISION. DESES ZECHNUNGSDOKUMENT WIRD DURCH AMP INCORPORATED KONTROLLIERT. AENDERUNGEN, DIE SICH TECHNISCHEN FORTSCHRITTSGRÜNDE, SIND VORBEHALTEN. DEN JEWELIGEN ZUGELIEFEN AENDERUNGSSTAND ERGÄHNEN DIE AUF ANFRAGE.</small>							<small>TOLERANCES UNLESS OTHERWISE SPECIFIED: ALLGEMEINTOLERANZEN</small> p ISO 8015 p ISO 2768 - mH - E n DIN 15901 - 140	
<small>DIMENSIONS: DIMENSIONEN: mm</small>							<small>0 PLC #</small> <small>1 PLC #</small> <small>2 PLC #</small> <small>3 PLC #</small> <small>ANGLES / WINKEL #</small> <small>FINISH / OBERFLÄCHE / FARBE</small>	
<small>MATERIAL</small>							<small>APVD</small> Wroblewski 06.10.2003 <small>CHK</small> Baum 06.10.2003 <small>PRODUCT SPEC</small> PRODUKTSPEZ. <small>APPLICATION SPEC</small> VERARBEITUNGSSPEZ. <small>WEIGHT</small> GEWICHT 78g, 120g <small>CUSTOMER DRAWING</small>	
<small>NAME</small> Assembling Frame size 6 Zusammenstellung Rahmen Gr 6							<small>SIZE</small> A2 <small>CAGE CODE</small> 00779 <small>DRAWING NO</small> ZEICHNUNGS-NR C=1108782 <small>RESTRICTED TO NUR FUER</small> -	
<small>MATERIAL</small>							<small>HTS Elektrotechnik</small> 53819 Neunkirchen, Germany <small>MASSSTAB</small> 1:1 <small>BLATT</small> 1 <small>OF VON</small> 1 <small>REV</small> B1	