



Chipsmall Limited consists of a professional team with an average of over 10 year of expertise in the distribution of electronic components. Based in Hongkong, we have already established firm and mutual-benefit business relationships with customers from,Europe,America and south Asia,supplying obsolete and hard-to-find components to meet their specific needs.

With the principle of “Quality Parts,Customers Priority,Honest Operation,and Considerate Service”,our business mainly focus on the distribution of electronic components. Line cards we deal with include Microchip,ALPS,ROHM,Xilinx,Pulse,ON,Everlight and Freescale. Main products comprise IC,Modules,Potentiometer,IC Socket,Relay,Connector.Our parts cover such applications as commercial,industrial, and automotives areas.

We are looking forward to setting up business relationship with you and hope to provide you with the best service and solution. Let us make a better world for our industry!



Contact us

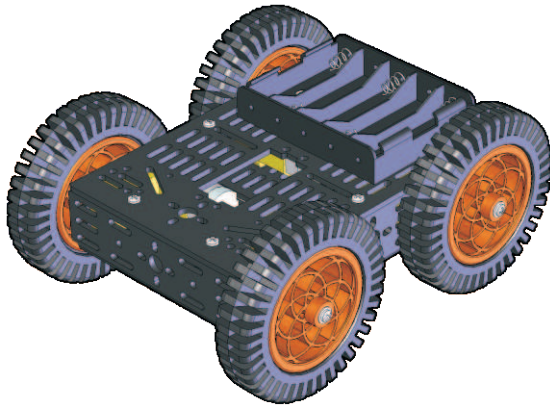
Tel: +86-755-8981 8866 Fax: +86-755-8427 6832

Email & Skype: info@chipsmall.com Web: www.chipsmall.com

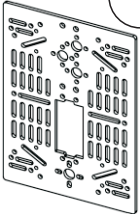
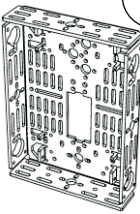
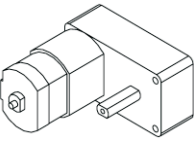

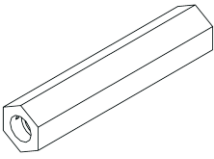
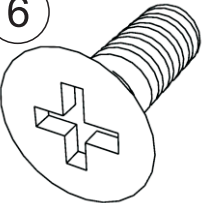
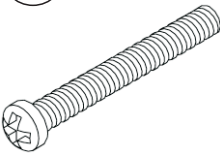
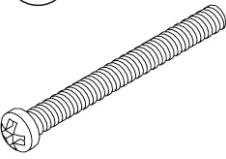
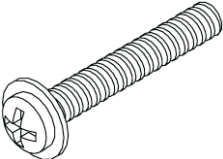
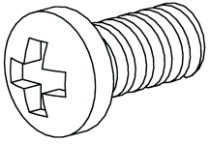
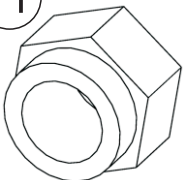
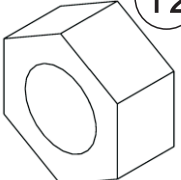
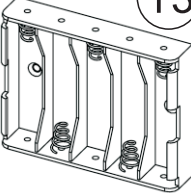
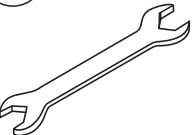
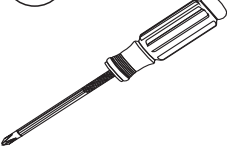
Address: A1208, Overseas Decoration Building, #122 Zhenhua RD., Futian, Shenzhen, China



DG012-ATV Multi chassis_4WD kit (ATV version)

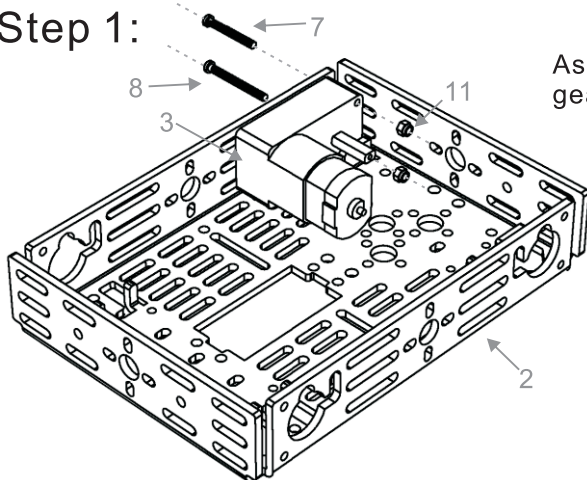


Parts list:

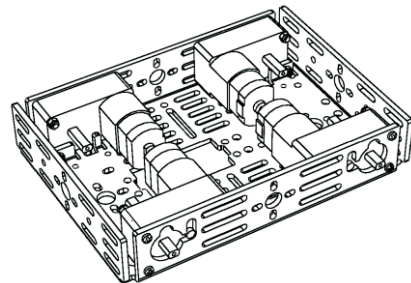
 <p>1 Aluminum chassis top 1pc</p>	 <p>2 Aluminum chassis bottom 1pc</p>	 <p>3 DC motor 4pcs</p>	 <p>4 Racing wheel 4pcs</p>	 <p>5 Distance holder M3*25 4pcs</p>
 <p>6 M3*8 flat-head screw 6pcs</p>	 <p>7 M2.5*20 screw 4pcs</p>	 <p>8 M2.5*25 screw 4pcs</p>	 <p>9 M3*22 screw with flange 4pcs</p>	 <p>10 M3*8 screw 8pcs</p>
 <p>11 M2.5 nylon nut 8pcs</p>	 <p>12 M3 nut 2pcs</p>	 <p>13 5*AA battery holder 1pc</p>	 <p>14 Spanner (M2.5 & M4) 1pc (M2 & M3) 1pc</p>	 <p>15 Screw driver 1pc</p>

Assembly Instructions:

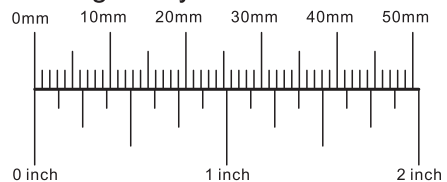
Step 1:



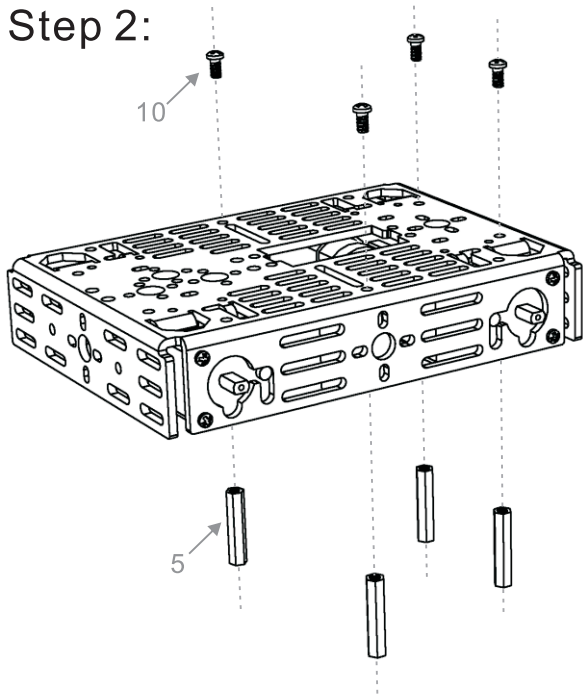
Assembly the gear box 4pcs



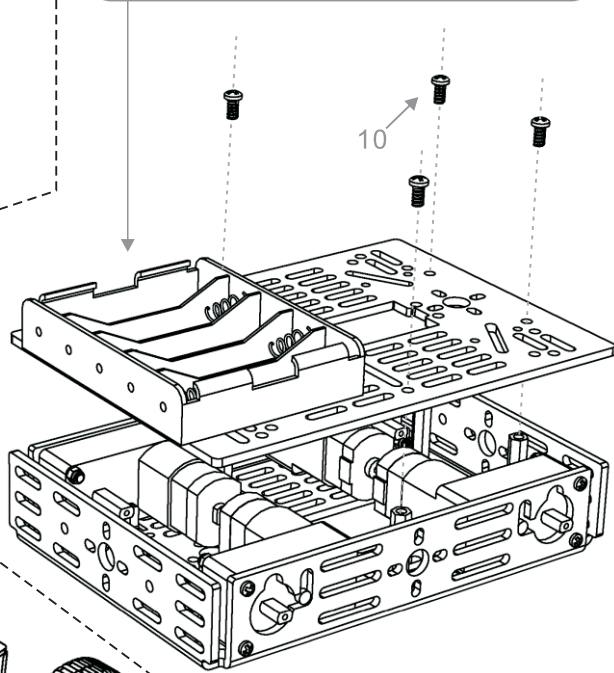
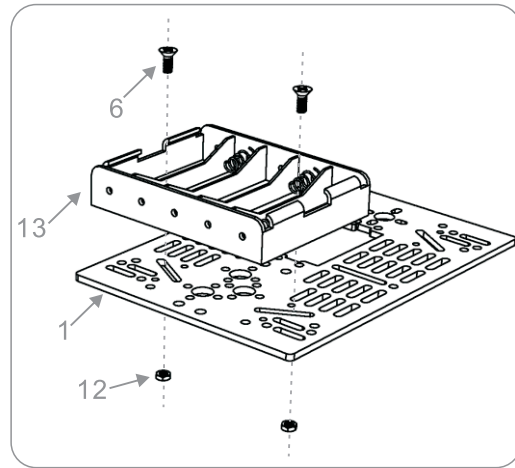
Use the ruler to check the length of your screws .



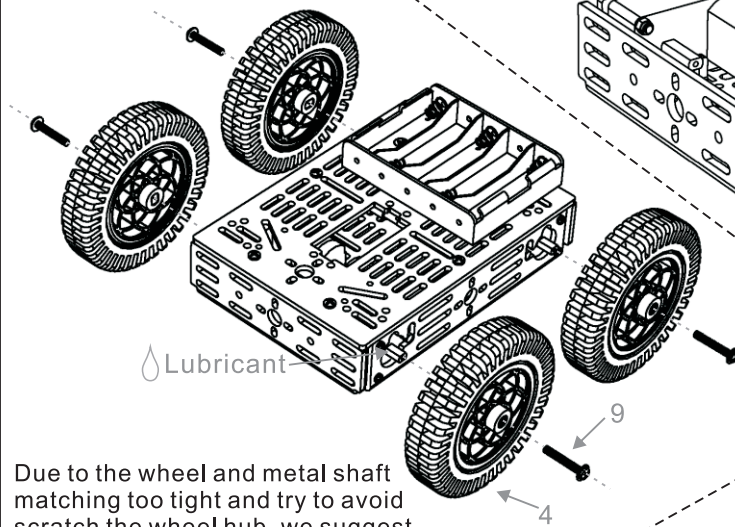
Step 2:



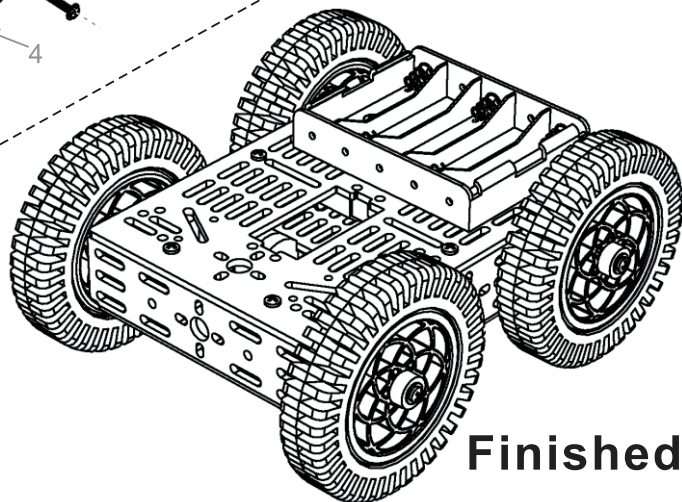
Step 3:



Step 4:



Due to the wheel and metal shaft matching too tight and try to avoid scratch the wheel hub, we suggest to apply some lubricate on the metal shaft.



Finished

Use the ruler to check the length of your screws .

