



Chipsmall Limited consists of a professional team with an average of over 10 year of expertise in the distribution of electronic components. Based in Hongkong, we have already established firm and mutual-benefit business relationships with customers from,Europe,America and south Asia,supplying obsolete and hard-to-find components to meet their specific needs.

With the principle of “Quality Parts,Customers Priority,Honest Operation,and Considerate Service”,our business mainly focus on the distribution of electronic components. Line cards we deal with include Microchip,ALPS,ROHM,Xilinx,Pulse,ON,Everlight and Freescale. Main products comprise IC,Modules,Potentiometer,IC Socket,Relay,Connector.Our parts cover such applications as commercial,industrial, and automotives areas.

We are looking forward to setting up business relationship with you and hope to provide you with the best service and solution. Let us make a better world for our industry!



Contact us

Tel: +86-755-8981 8866 Fax: +86-755-8427 6832

Email & Skype: info@chipsmall.com Web: www.chipsmall.com

Address: A1208, Overseas Decoration Building, #122 Zhenhua RD., Futian, Shenzhen, China



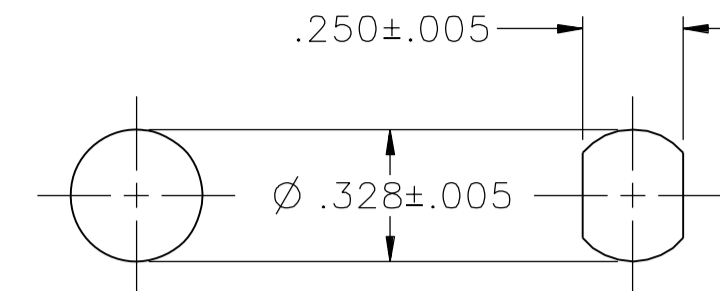
PART NUMBER	ITEM ①	BODY	COLOR	ITEM ②	STUD	ITEM ③	THUMB NUT	COLOR	ITEM ④	WASHER	ITEM ⑤	CAPTIVE NUT	ITEM ⑥	MOUNTING NUT
111-0101-001		NYLON	WHITE		BRASS SILVER PL .00005 MIN		NYLON	WHITE		BRASS SILVER PL .0001 MIN		BRASS NICKEL PL		BRASS NICKEL PL .0001 MIN
111-0102-001			RED					RED						
111-0103-001			BLACK					BLACK						
111-0104-001			GREEN					GREEN						
111-0105-001														
111-0106-001			ORANGE					ORANGE						
111-0107-001			YELLOW					YELLOW						
111-0108-001			BROWN					BROWN						
111-0109-001														
111-0110-001			BLUE					BLUE						
111-0111-001														
111-0112-001			VIOLET					VIOLET						
111-0113-001			GRAY					GRAY						
111-0114-001														
111-0115-001														
111-0116-001														
111-0117-001														
111-0118-001														
111-0119-001														
111-0120-001														

DRAWING NO.
C - 111-0101/0120-001

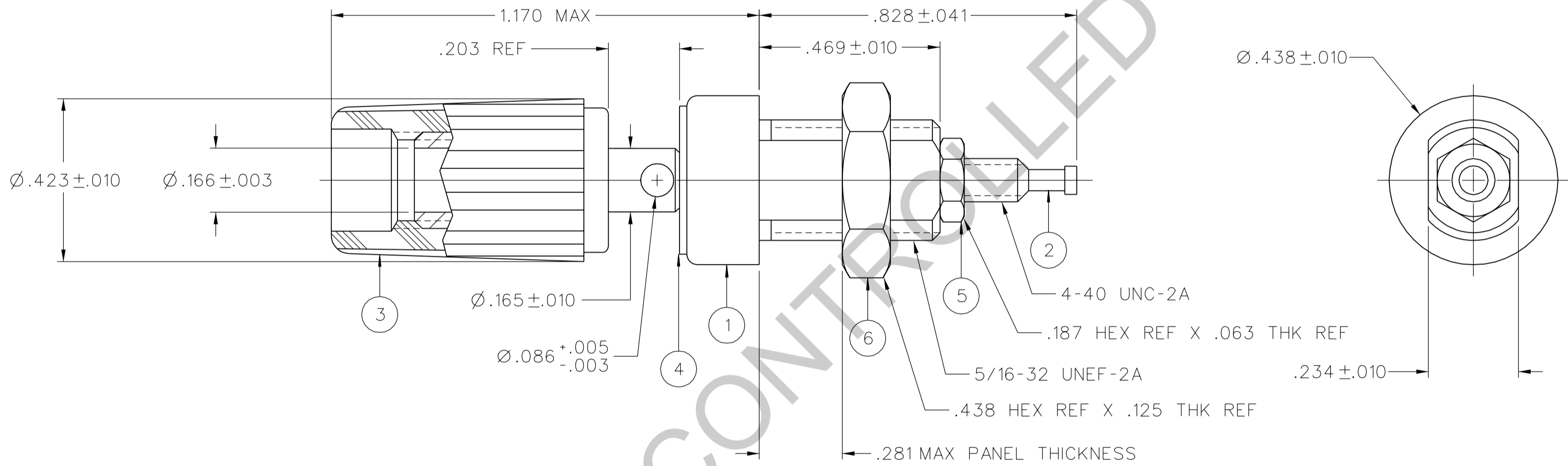
0 REVISIONS

REVISED AND REDRAWN. DRAWING WAS "C" SIZE 111-0101/0120-001/110 DATED 9-12-88. SPLIT INTO 4 SEPERATE DWGS. CREATED SHEET 2.

* REVISION NUMBER FOLLOWED BY AN ALPHA *
* CHARACTER INDICATES DRAWING CLARIFICATION OR PART NUMBER ADDITION ONLY. *



MOUNTING HOLE OPTIONS
2:1



NOTES:

SPECIFICATIONS:

ELECTRICAL:

CURRENT RATING: 15 AMPS DC MINIMUM
DIELECTRIC WITHSTANDING VOLTAGE: 5700 VRMS MINIMUM
RECOMMENDED WORKING VOLTAGE: 2850 VRMS MAXIMUM
INSULATION RESISTANCE: 5000 MEGOHMS MINIMUM
CONTACT RESISTANCE: 10 MILLIOHMS MAXIMUM (MATING PLUG)
CAPACITANCE (STUD TO PANEL): 3.3 PF NOMINAL

MECHANICAL:

THUMBNUIT WITHSTANDING TORQUE: 4 IN-LB MINIMUM
INSULATOR WITHSTANDING TORQUE: 8 IN-LB MINIMUM
PLASTIC MOUNTING THREAD STRIPPING TORQUE: 6 IN-LB MINIMUM
WIRE ACCEPTABILITY: 16 AWG OR SMALLER
WIRE ATTACHMENT: SOLDER
MATING REFERENCE:
BANANA PLUG WIDTH: .175 NOMINAL
CROSSHOLE WIRE: 12 AWG OR SMALLER
THUMBNUIT DURABILITY: 1000 CYCLES

ENVIRONMENTAL:


(MEETS OR EXCEEDS THE APPLICABLE PARAGRAPH OF MIL-P-55149)
OPERATING TEMPERATURE: -55 DEG C TO 85 DEG C
TEMPERATURE RISE AT RATED CURRENT: 10 DEG C
CORROSION: MIL-STD-202, METHOD 101, CONDITION B
SHOCK: MIL-STD-202, METHOD 213, CONDITION 1
VIBRATION: MIL-STD-202, METHOD 201
MOISTURE RESISTANCE: MIL-STD-202, METHOD 106

CUSTOMER DRAWING

THIS DRAWING TO BE INTERPRETED PER ASME Y 14.5M - 1994

"μSTATION"

COMPANY CONFIDENTIAL

TOLERANCE UNLESS OTHERWISE SPECIFIED	DRAWN BY RJB	DATE 1-9-03	 Cinch CONNECTIVITY SOLUTIONS a bel group	Cinch Connectivity Solutions P.O. Box 1732 Waseca, MN 56093 1-800-247-8256
DECIMALS _____ mm _____	CHECKED BY	DATE		TITLE ASSEMBLY, BINDING POST INSULATED, THREADED STUD
.XX _____	APPROVED BY RJB	DATE 2-12-03	SHEET 2 OF 2	DRAWING NO. C - 111-0101-0120-001
.XXX _____	RELEASE DATE 2-12-03	SCALE 4:1		
MATL _____	U/M INCH			
FINISH _____				