



Chipsmall Limited consists of a professional team with an average of over 10 year of expertise in the distribution of electronic components. Based in Hongkong, we have already established firm and mutual-benefit business relationships with customers from,Europe,America and south Asia,supplying obsolete and hard-to-find components to meet their specific needs.

With the principle of "Quality Parts,Customers Priority,Honest Operation,and Considerate Service",our business mainly focus on the distribution of electronic components. Line cards we deal with include Microchip,ALPS,ROHM,Xilinx,Pulse,ON,Everlight and Freescale. Main products comprise IC,Modules,Potentiometer,IC Socket,Relay,Connector.Our parts cover such applications as commercial,industrial, and automotives areas.

We are looking forward to setting up business relationship with you and hope to provide you with the best service and solution. Let us make a better world for our industry!



Contact us

Tel: +86-755-8981 8866 Fax: +86-755-8427 6832

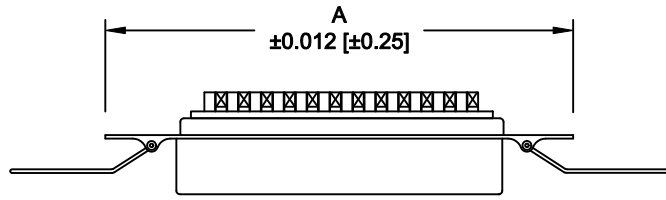
Email & Skype: info@chipsmall.com Web: www.chipsmall.com

Address: A1208, Overseas Decoration Building, #122 Zhenhua RD., Futian, Shenzhen, China



DESCRIPTION: 0.085 RIBBON - SOLDER CUP

	014	024	036	050
A	1.728	2.154	2.667	3.264
	43.90	54.70	67.75	82.90
B	0.992	1.417	1.925	2.624
	25.20	36.00	48.90	64.10
C	1.417	1.843	2.352	2.947
	36.00	46.80	59.74	74.85

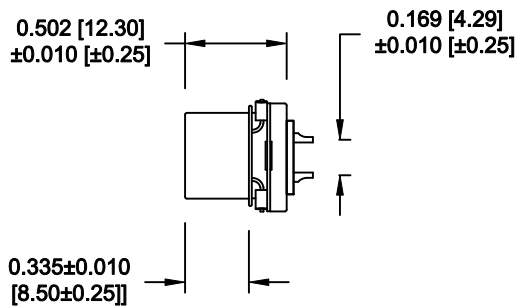
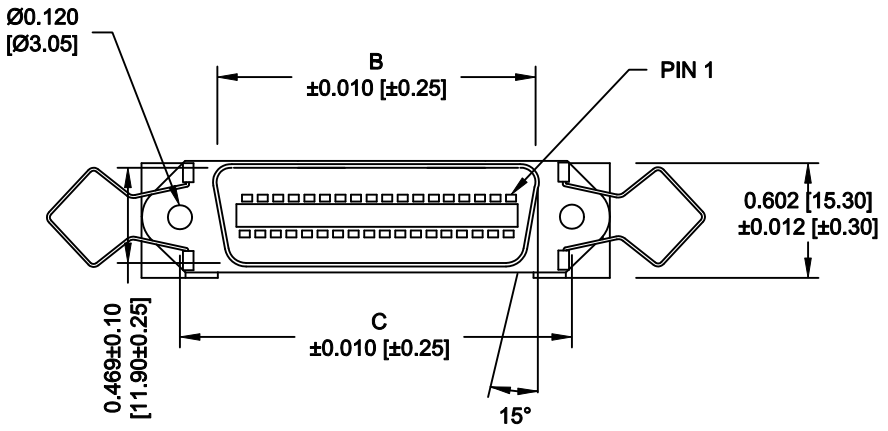


MATERIAL:

INSULATION: PBT - UL 94V-0 RATED
 CONTACTS: PHOSPHOR BRONZE
 SHELL: STEEL, NICKEL PLATED

ELECTRICAL:

CURRENT RATING: 1 AMPS
 VOLTAGE RATING: 1,000V AC r.m.s.
 INSULATION RESISTANCE: 1,000MegOhms Min. @ 500VDC
 CONTACT RESISTANCE: 30MilliOhms Max.
 OPERATING TEMPERATURE: -55°C TO +125°C



111-YYY-2 0 3 L 00 1

SERIES _____
 POSITIONS _____
 014 _____
 024 _____
 036 _____
 050 _____
 GENDER _____
 2 = FEMALE _____
 TERMINATION _____
 0 = SOLDER CUP _____
 SHELL PLATING _____
 3 = NICKEL _____
 RoHS COMPLIANT _____
 L = LOW TEMP. PROCESS _____
 HARDWARE _____
 00 = NO HARDWARE _____
 PLATING _____
 1 = GOLD FLASH _____

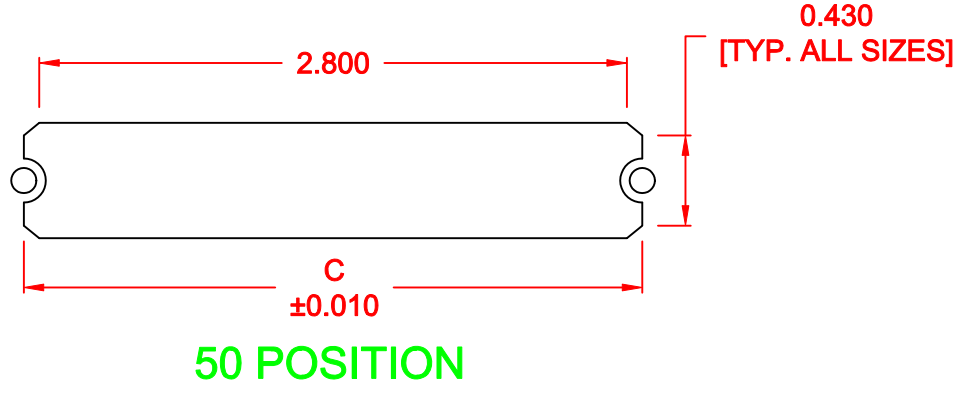
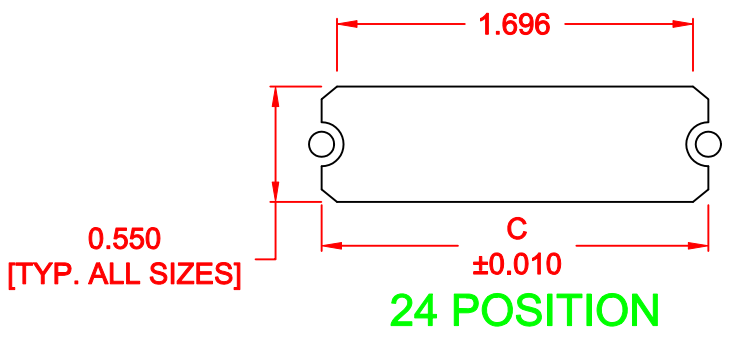
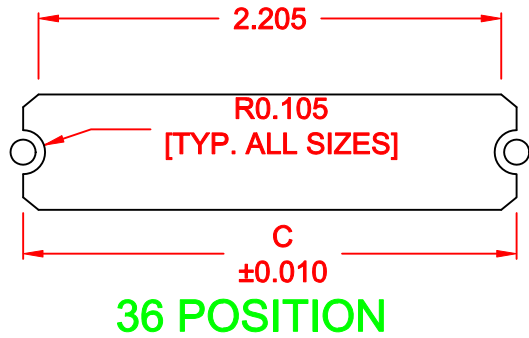
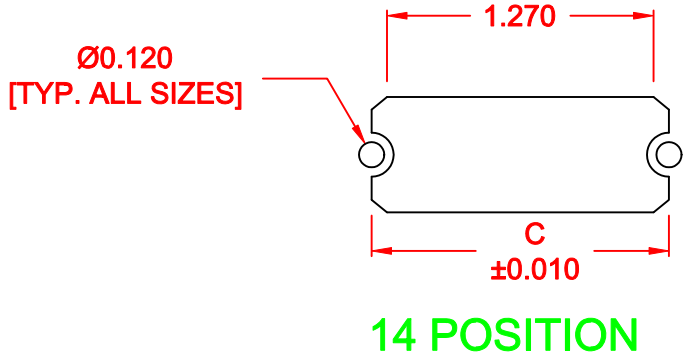
WILL ACCEPT 26-20 AWG WIRE

DO NOT SCALE FROM DRAWING

	THESE DRAWINGS AND SPECIFICATIONS ARE THE PROPERTY OF NorComp AND SHALL NOT BE REPRODUCED, COPIED OR USED AS THE BASIS FOR THE MANUFACTURE OF SALE OF APPARATUS WITHOUT WRITTEN PERMISSION.		DRAWN: WAYNE ROBBINS	DATE: 09-15-05
			CHECKED:	DATE:
NorComp		SCALE: NONE	SHEET 1	OF 2
		DWG NO. 111-YYY-203L001		

RoHS COMPLIANT

	014	024	036	050
C	1.417	1.843	2.352	2.947
	36.00	46.80	59.74	74.85



*****NOTE***** DIMENSION "C" =
 CENTER TO CENTER OF MOUNTING HOLES
 CENTER OF RADI
 OVERALL LENGTH OF CUTOUT

RoHS COMPLIANT

DO NOT SCALE FROM DRAWING

	THESE DRAWINGS AND SPECIFICATIONS ARE THE PROPERTY OF NorComp AND SHALL NOT BE REPRODUCED, COPIED OR USED AS THE BASIS FOR THE MANUFACTURE OF SALE OF APPARATUS WITHOUT WRITTEN PERMISSION.	DRAWN: M. SIGMON	DATE: 01-14-11
		CHECKED:	DATE:
NorComp	SCALE: NONE	SHEET 2 OF 2	REV 7
	DWG NO. 111-YYY-203L001		