



Chipsmall Limited consists of a professional team with an average of over 10 year of expertise in the distribution of electronic components. Based in Hongkong, we have already established firm and mutual-benefit business relationships with customers from,Europe,America and south Asia,supplying obsolete and hard-to-find components to meet their specific needs.

With the principle of “Quality Parts,Customers Priority,Honest Operation,and Considerate Service”,our business mainly focus on the distribution of electronic components. Line cards we deal with include Microchip,ALPS,ROHM,Xilinx,Pulse,ON,Everlight and Freescale. Main products comprise IC,Modules,Potentiometer,IC Socket,Relay,Connector.Our parts cover such applications as commercial,industrial, and automotives areas.

We are looking forward to setting up business relationship with you and hope to provide you with the best service and solution. Let us make a better world for our industry!



## Contact us

Tel: +86-755-8981 8866 Fax: +86-755-8427 6832

Email & Skype: info@chipsmall.com Web: www.chipsmall.com

Address: A1208, Overseas Decoration Building, #122 Zhenhua RD., Futian, Shenzhen, China



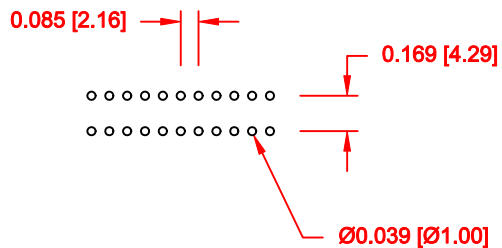
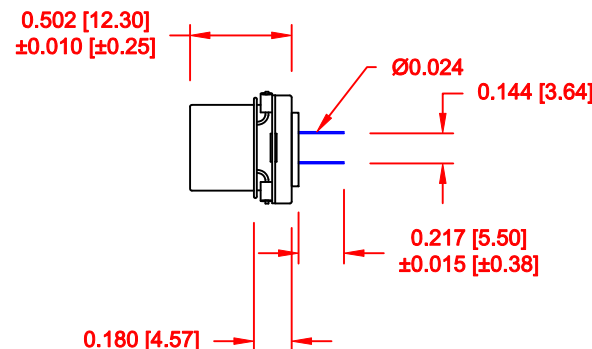
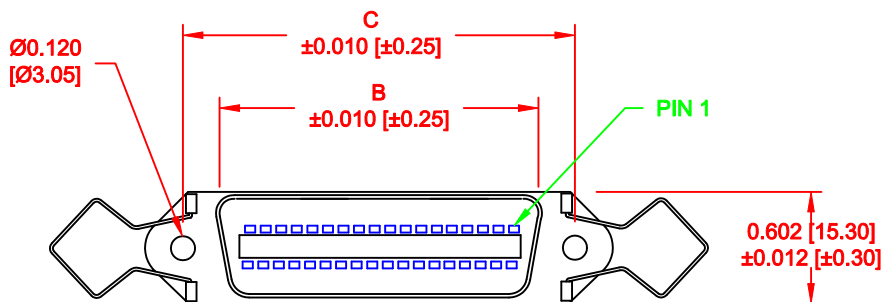
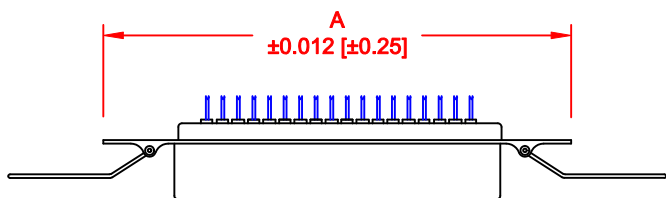
	014	024	036	050
A	1.728	2.154	2.667	3.264
	43.90	54.70	67.75	82.90
B	0.992	1.417	1.925	2.624
	25.20	36.00	48.90	64.10
C	1.417	1.843	2.352	2.947
	36.00	46.80	59.74	74.85

**MATERIAL:**

INSULATION: GLASS- FILLED THERMOPLASTIC  
UL RATED 94V-0, 230°C PROCESS TEMP.  
CONTACTS: COPPER ALLOY  
SHELL: STEEL, NICKEL PLATED

**ELECTRICAL:**

CURRENT RATING: 1 AMP  
VOLTAGE RATING: 1,000V AC r.m.s.  
INSULATION RESISTANCE: 1,000MegOhms Min. @ 500VDC  
CONTACT RESISTANCE: 30MilliOhms Max.  
OPERATING TEMPERATURE: -55°C TO +125°C



111-YYY-2 1 3 L 00 1

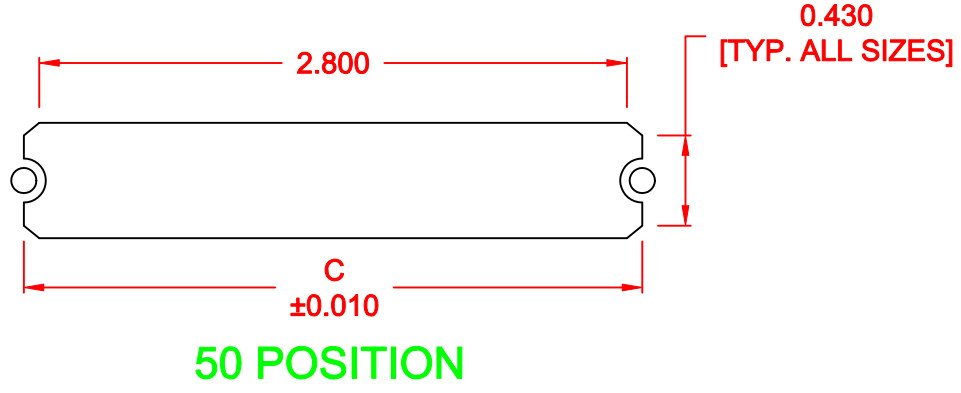
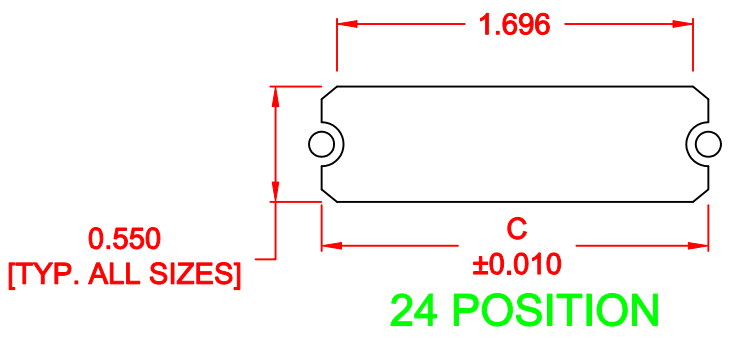
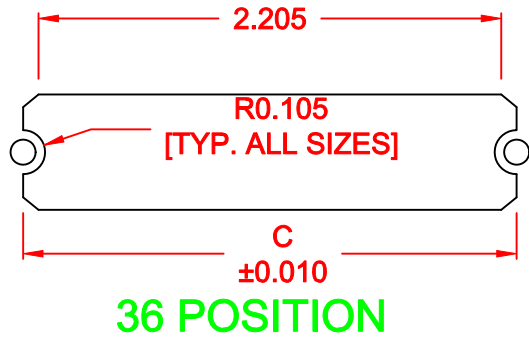
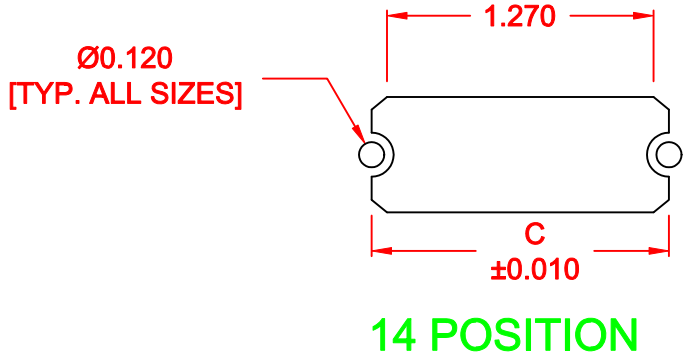
SERIES \_\_\_\_\_  
POSITIONS \_\_\_\_\_  
014 \_\_\_\_\_  
024 \_\_\_\_\_  
036 \_\_\_\_\_  
050 \_\_\_\_\_  
GENDER \_\_\_\_\_  
2 = FEMALE \_\_\_\_\_  
TERMINATION \_\_\_\_\_  
1 = DIP SOLDER \_\_\_\_\_  
RoHS COMPLIANT \_\_\_\_\_  
L = LOW TEMP. PROCESS \_\_\_\_\_  
SHELL PLATING \_\_\_\_\_  
3 = NICKEL \_\_\_\_\_  
HARDWARE \_\_\_\_\_  
00 = NO HARDWARE \_\_\_\_\_  
PLATING \_\_\_\_\_  
1 = GOLD FLASH \_\_\_\_\_

DO NOT SCALE FROM DRAWING

RoHS COMPLIANT

	THESE DRAWINGS AND SPECIFICATIONS ARE THE PROPERTY OF NorComp AND SHALL NOT BE REPRODUCED, COPIED OR USED AS THE BASIS FOR THE MANUFACTURE OF SALE OF APPARATUS WITHOUT WRITTEN PERMISSION.	DRAWN: <b>WAYNE ROBBINS</b> DATE: <b>09-15-05</b>	
		CHECKED: _____ DATE: _____	
<h1>NorComp</h1>	SCALE: <b>NONE</b>	SHEET <b>1</b> OF <b>2</b>	REV <b>7</b>
	DWG NO. <b>111-YYY-213L001</b>		

	014	024	036	050
C	1.417	1.843	2.352	2.947
	36.00	46.80	59.74	74.85



**\*\*\*NOTE\*\*\*** DIMENSION "C" =  
 CENTER TO CENTER OF MOUNTING HOLES  
 CENTER OF RADI  
 OVERALL LENGTH OF CUTOUT

**RoHS COMPLIANT**

**DO NOT SCALE FROM DRAWING**

	THESE DRAWINGS AND SPECIFICATIONS ARE THE PROPERTY OF NorComp AND SHALL NOT BE REPRODUCED, COPIED OR USED AS THE BASIS FOR THE MANUFACTURE OF SALE OF APPARATUS WITHOUT WRITTEN PERMISSION.	DRAWN: <b>M. SIGMON</b>	DATE: <b>01-14-11</b>
		CHECKED:	DATE:
<b>NorComp</b>	SCALE: NONE	SHEET 2 OF 2	REV 7
	DWG NO. <b>111-YYY-213L001</b>		