



Chipsmall Limited consists of a professional team with an average of over 10 year of expertise in the distribution of electronic components. Based in Hongkong, we have already established firm and mutual-benefit business relationships with customers from,Europe,America and south Asia,supplying obsolete and hard-to-find components to meet their specific needs.

With the principle of "Quality Parts,Customers Priority,Honest Operation,and Considerate Service",our business mainly focus on the distribution of electronic components. Line cards we deal with include Microchip,ALPS,ROHM,Xilinx,Pulse,ON,Everlight and Freescale. Main products comprise IC,Modules,Potentiometer,IC Socket,Relay,Connector.Our parts cover such applications as commercial,industrial, and automotives areas.

We are looking forward to setting up business relationship with you and hope to provide you with the best service and solution. Let us make a better world for our industry!



Contact us

Tel: +86-755-8981 8866 Fax: +86-755-8427 6832

Email & Skype: info@chipsmall.com Web: www.chipsmall.com

Address: A1208, Overseas Decoration Building, #122 Zhenhua RD., Futian, Shenzhen, China



Binding Post - Insulated Standard With - Thumb Nut-Grounded Type

SPECIFICATIONS

Stud: Brass per QQ-B-626D

Finish: Nickel

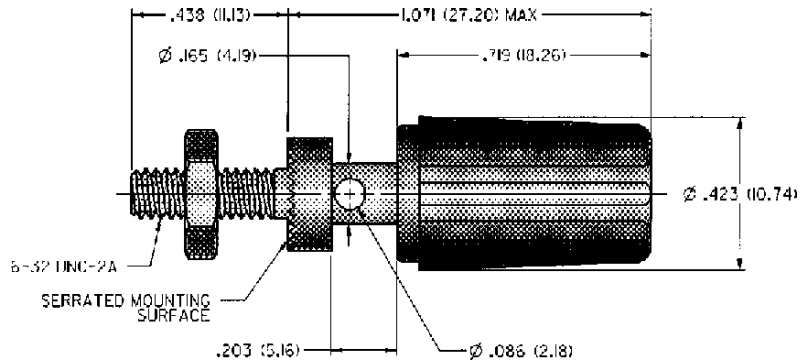
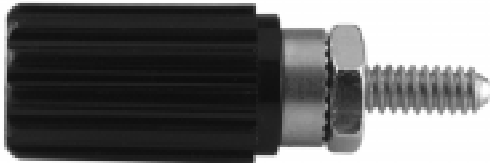
Insulating Material: Nylon 6/6 per ASTM D4066

Hardware: Nickel plated nut (unassembled)

Panel Thickness: Up to .313 (7.95)

RATINGS

Current: 15 amps



NICKEL PLATING	
PART NO.	COLOR
111-0702-001	Red

For Standard Banana Plug: .175 (4.44) Across Flats

FEATURES:

- Serrated mounting surface prevents turning
- Captivated thumb nut
- .094 (2.39) diameter cross-hole accommodates up to 12 gauge wire
- Nylon UL approved for self-extinguishing