



Chipsmall Limited consists of a professional team with an average of over 10 year of expertise in the distribution of electronic components. Based in Hongkong, we have already established firm and mutual-benefit business relationships with customers from,Europe,America and south Asia,supplying obsolete and hard-to-find components to meet their specific needs.

With the principle of “Quality Parts,Customers Priority,Honest Operation,and Considerate Service”,our business mainly focus on the distribution of electronic components. Line cards we deal with include Microchip,ALPS,ROHM,Xilinx,Pulse,ON,Everlight and Freescale. Main products comprise IC,Modules,Potentiometer,IC Socket,Relay,Connector.Our parts cover such applications as commercial,industrial, and automotives areas.

We are looking forward to setting up business relationship with you and hope to provide you with the best service and solution. Let us make a better world for our industry!



Contact us

Tel: +86-755-8981 8866 Fax: +86-755-8427 6832

Email & Skype: info@chipsmall.com Web: www.chipsmall.com

Address: A1208, Overseas Decoration Building, #122 Zhenhua RD., Futian, Shenzhen, China



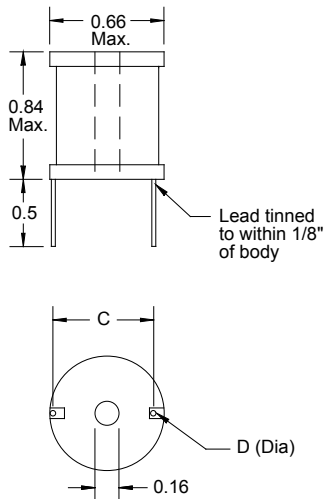
High Current RF Chokes

Special Features

- Very high current capacity
- Low DCR
- Epoxy coated ferrite bobbin core
- VW-1 rated shrink tubing to cover winding
- Self-leaded
- Fixed lead spacing
- Center hole for mechanical mounting
- Dielectric withstanding voltage:
2500VRMS terminal to shrink tube cover;
1000VRMS terminal to core
- Operating temperature -55 to +105°C

Notes

- * Rated current to cause 50°C max. temperature rise and 5% max. inductance drop



Dimensions: Inches

1110 Series					
Part Number	L (μH) ±20% @ 1KHz	DCR Ω Max.	I, dc* (A)	Dim. C Approx.	Dim. D Nom.
1110-1R0M	1.0	0.003	9	0.55	0.051
1110-1R2M	1.2	0.003	9	0.55	0.051
1110-1R5M	1.5	0.004	9	0.55	0.051
1110-1R8M	1.8	0.004	9	0.55	0.051
1110-2R2M	2.2	0.005	9	0.55	0.051
1110-2R7M	2.7	0.005	9	0.55	0.051
1110-3R3M	3.3	0.005	9	0.55	0.051
1110-3R9M	3.9	0.006	9	0.55	0.051
1110-4R7M	4.7	0.007	9	0.55	0.051
1110-5R6M	5.6	0.007	9	0.55	0.051
1110-6R8M	6.8	0.008	9	0.55	0.051
1110-8R2M	8.2	0.009	9	0.55	0.051
	± 10%				
1110-100K	10	0.010	9	0.55	0.051
1110-120K	12	0.011	9	0.55	0.051
1110-150K	15	0.015	7.2	0.53	0.045
1110-180K	18	0.016	7.2	0.53	0.045
1110-220K	22	0.020	5.5	0.53	0.045
1110-270K	27	0.030	4.5	0.53	0.040
1110-330K	33	0.040	4	0.53	0.040
1110-390K	39	0.046	4	0.53	0.040
1110-470K	47	0.062	2.8	0.53	0.036
1110-560K	56	0.069	2.8	0.53	0.036
1110-680K	68	0.077	2.8	0.50	0.032
1110-820K	82	0.083	2.8	0.50	0.032
1110-101K	100	0.095	2.8	0.50	0.032
1110-121K	120	0.127	2	0.50	0.029
1110-151K	150	0.181	1.6	0.50	0.029
1110-181K	180	0.217	1.6	0.50	0.025
1110-221K	220	0.240	1.6	0.50	0.025
1110-271K	270	0.300	1.6	0.47	0.020
1110-331K	330	0.336	1.3	0.47	0.020
1110-391K	390	0.460	1	0.47	0.020
1110-471K	470	0.636	0.8	0.47	0.020
1110-561K	560	0.696	0.8	0.47	0.020

Also available as RoHS compliant.

J.W. Miller
MAGNETICS

306 E. Alondra Blvd. Gardena, CA 90247-1059 • Phone (310) 515-1720 • FAX (310) 515-1962

www.jwmiller.com