



Chipsmall Limited consists of a professional team with an average of over 10 year of expertise in the distribution of electronic components. Based in Hongkong, we have already established firm and mutual-benefit business relationships with customers from,Europe,America and south Asia,supplying obsolete and hard-to-find components to meet their specific needs.

With the principle of “Quality Parts,Customers Priority,Honest Operation,and Considerate Service”,our business mainly focus on the distribution of electronic components. Line cards we deal with include Microchip,ALPS,ROHM,Xilinx,Pulse,ON,Everlight and Freescale. Main products comprise IC,Modules,Potentiometer,IC Socket,Relay,Connector.Our parts cover such applications as commercial,industrial, and automotives areas.

We are looking forward to setting up business relationship with you and hope to provide you with the best service and solution. Let us make a better world for our industry!



Contact us

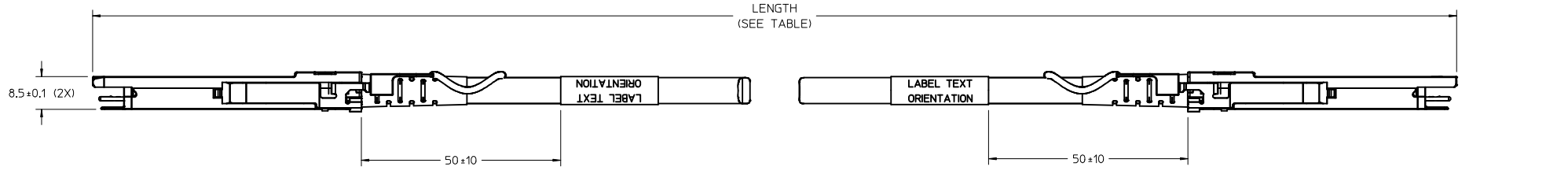
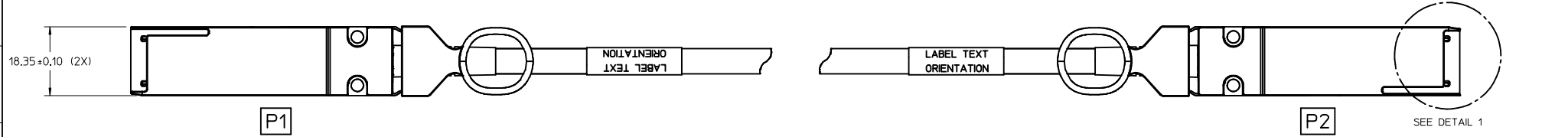
Tel: +86-755-8981 8866 Fax: +86-755-8427 6832

Email & Skype: info@chipsmall.com Web: www.chipsmall.com

Address: A1208, Overseas Decoration Building, #122 Zhenhua RD., Futian, Shenzhen, China

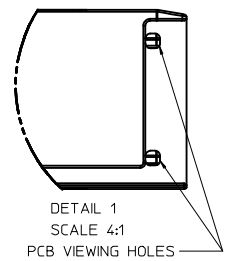
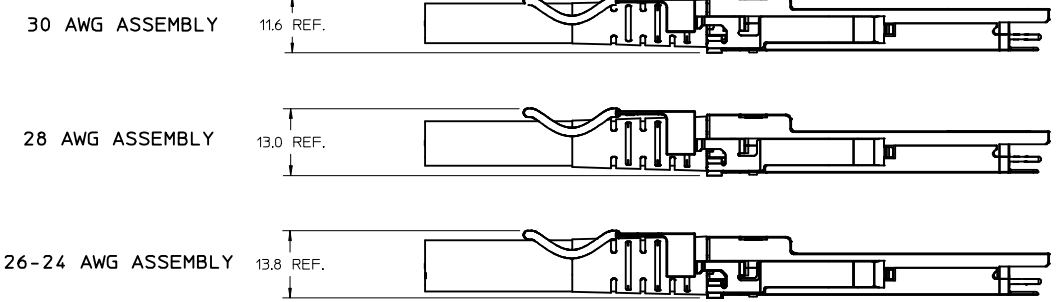


20 19 18 17 16 15 14 13 12 11 10 9 8 7 6 5 4 3 2 1



SEE SHEET 3 FOR LABEL DETAIL FOR CABLES UNDER 2M, LABEL ON P1 END ONLY

SEE SHEET 3 FOR P/N TABLE



- NOTES:
1. CABLE DISTANCE DEPENDS ON WIRE GAUGE, DATA RATE, AND HOST BOARD DRIVER CAPABILITIES
 2. MATERIALS:
 BACKSHELLS - ZINC DIE CAST WITH BRIGHT NICKEL PLATING
 DELATCH - STAINLESS STEEL WITH OVERMOLDED NYLON
 PCB - FR4
 RIVETS - STAINLESS STEEL
 3. IMPEDANCE - 100 OHMS DIFFERENTIAL
 4. RoHS COMPLIANT, NO EXEMPTIONS

ADDED P/N 110402255 EC NO: CPG2017-0314 DRAWN BY: CHYOKUKIMARR CHECKED BY: CHYOKUKAGANNA APPR: ARAYBURN DATE: 2016/08/24 DATE: 2016/08/26 DATE: 2016/08/26	QUALITY SYMBOLS ∇=0 ∇=0 ∇=0	GENERAL TOLERANCES (UNLESS SPECIFIED) mm INCH 4 PLACES ±--- ±--- 3 PLACES ±--- ±--- 2 PLACES ±0.13 ±--- 1 PLACE ±0.25 ±--- 0 PLACE ± ±---		DIMENSION STYLE MM ONLY	SCALE 2:1	DESIGN UNITS METRIC	THIRD ANGLE PROJECTION
		ANGULAR ±---° DRAFT WHERE APPLICABLE MUST REMAIN WITHIN DIMENSIONS		DRAWN BY: JENGRAVE DATE: 2014/10/20 CHECKED BY: RAGYEI DATE: 2015/01/30 APPROVED BY: ARAYBURN DATE: 2014/11/11	TITLE QSFP+ COPPER PATCH CABLE ASSEMBLY	MATERIAL NO. SEE P/N TABLE	DOCUMENT NO. SD-11040-0005

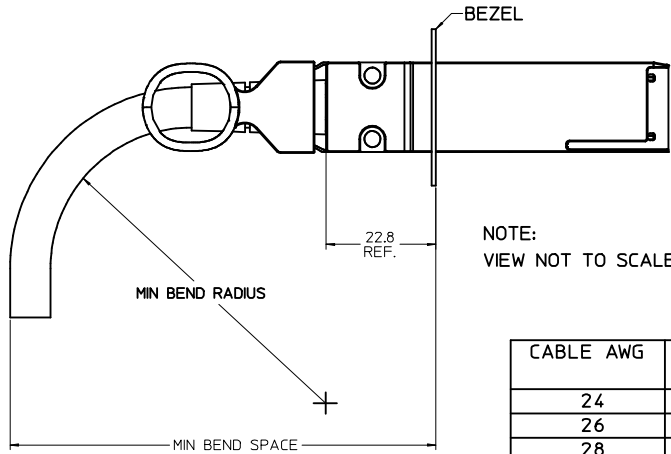
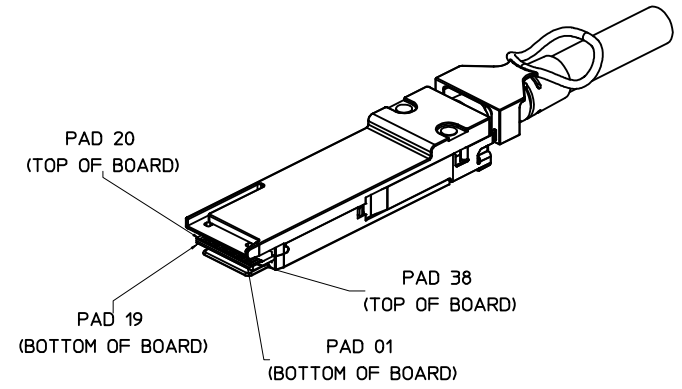
THIS DRAWING CONTAINS INFORMATION THAT IS PROPRIETARY TO MOLEX INCORPORATED AND SHOULD NOT BE USED WITHOUT WRITTEN PERMISSION

19 18 17 16 15 14 13 12 11 10 9 8 7 6 5 4 3 2 1

WIRING DIAGRAM					
P1 END			P2 END		
PAD	SIGNAL		PAD	SIGNAL	
01	GND (TX)	----	20	GND (RX)	
02	TX2n	---->	21	RX2n	
03	TX2p	---->	22	RX2p	
04	GND (TX)	----	23	GND (RX)	
05	TX4n	---->	24	RX4n	
06	TX4p	---->	25	RX4p	
07	GND (TX)	----	26	GND (RX)	
08	ModSelL	■ ■	27	ModPrsL	
09	ResetL	■ ■	28	IntL	
10	VccRx	■ ■	29	VccTx	
11	SCL	■ NC	30	Vcc1	
12	SDA	■ ■	31	LPMode	
13	GND (RX)	----	32	GND (TX)	
14	RX3p	<----	33	TX3p	
15	RX3n	<----	34	TX3n	
16	GND (RX)	----	35	GND (TX)	
17	RX1p	<----	36	TX1p	
18	RX1n	<----	37	TX1n	
19	GND (RX)	----	38	GND (TX)	
20	GND (RX)	----	01	GND (TX)	
21	RX2n	<----	02	TX2n	
22	RX2p	<----	03	TX2p	
23	GND (RX)	----	04	GND (TX)	
24	RX4n	<----	05	TX4n	
25	RX4p	<----	06	TX4p	
26	GND (RX)	----	07	GND (TX)	
27	ModPrsL	■ ■	08	ModSelL	
28	IntL	■ ■	09	ResetL	
29	VccTx	■ ■	10	VccRx	
30	Vcc1	■ NC	11	SCL	
31	LPMode	■ ■	12	SDA	
32	GND (TX)	----	13	GND (RX)	
33	TX3p	---->	14	RX3p	
34	TX3n	---->	15	RX3n	
35	GND (TX)	----	16	GND (RX)	
36	TX1p	---->	17	RX1p	
37	TX1n	---->	18	RX1n	
38	GND (TX)	----	19	GND (RX)	

LEGEND:

- = THRU LINES
- > = TRANSMIT TO RECEIVE ON HIGH SPEED CIRCUITS
- C = COMMON GROUND CONNECTION
- NC = NOT CONNECTED
- = CONNECTION TO A DEVICE ON THE PCB



NOTE:
VIEW NOT TO SCALE.

CABLE BEND RADIUS

CABLE AWG	MIN BEND RADIUS (mm)	MIN BEND SPACE (mm)
24	50	83
26	44	76
28	39	69
30	33	62

NOTES:

1. DC BLOCKING CAPS ON RECEIVE SIDE ONLY
2. CABLE COILED AND PACKAGED IN BEST FIT ESD BAG AND SEALED WITH ESD LABEL FOR SHIPPING

ADDED P/N 110402255 EC NO: CPG2017-0314 DRWNG: KUMARR 2016/08/24 CHKD: KAGANNA 2016/08/26 APPR: ARAYBURN 2016/08/26 REV DESCRIPTION	QUALITY SYMBOLS	GENERAL TOLERANCES (UNLESS SPECIFIED)	DIMENSION STYLE	SCALE	DESIGN UNITS	THIRD ANGLE PROJECTION
	▽=0	mm INCH	MM ONLY	1:1	METRIC	
	▽=0	4 PLACES ± --- ± ---				
	▽=0	3 PLACES ± --- ± ---				
		ANGULAR ± ---°				
		DRAFT WHERE APPLICABLE MUST REMAIN WITHIN DIMENSIONS	SEE P/N TABLE			
			MATERIAL NO.	DOCUMENT NO.		
			SD-111040-0005	SD-111040-0005		
						SHEET NO. 2 OF 3

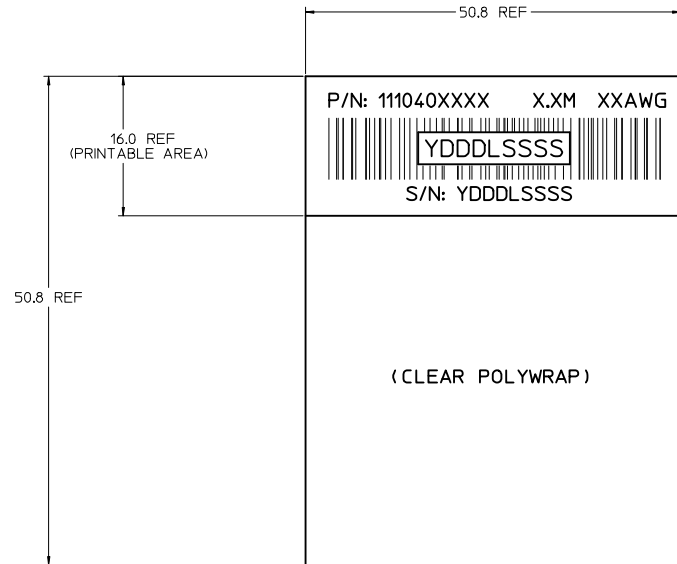
QSPF+ COPPER PATCH CABLE ASSEMBLY

molex

PART NUMBER TABLE

MOLEX P/N	LENGTH (M)	LENGTH TOLERANCE (mm)	AWG
1110401045	0.35	±30	30
1110401055	0.5	±30	30
1110401075	0.75	±30	30
1110401105	1.0	±50	30
1110401155	1.5	±50	30
1110401205	2.0	±50	30
1110401255	2.5	±50	30
1110401305	3.0	±50	30
1110401325	3.2	±50	30
1110401405	4.0	±50	30
1110401505	5.0	±80	30
1110401705	7.0	±80	30
1110402055	0.5	±30	28
1110402105	1.0	±50	28
1110402205	2.0	±50	28
1110402255	2.5	±50	28
1110402305	3.0	±50	28
1110401358	3.5	±50	28
1110402405	4.0	±50	28
1110402505	5.0	±80	28
1110402605	6.0	±80	28
1110402705	7.0	±80	28
1110403055	0.5	±30	26
1110403105	1.0	±50	26
1110403205	2.0	±50	26
1110403305	3.0	±50	26
1110403405	4.0	±50	26
1110403505	5.0	±80	26
1110403605	6.0	±80	26
1110403705	7.0	±80	26
1110404055	0.5	±30	24
1110404105	1.0	±50	24
1110404205	2.0	±50	24
1110404305	3.0	±50	24
1110404405	4.0	±50	24
1110404505	5.0	±80	24
1110404605	6.0	±80	24
1110404705	7.0	±80	24

LABEL DETAIL



P/N: SEE TABLE
 S/N: Y = YEAR, LAST DIGIT OF YEAR
 DDD = DAY OF THE YEAR (ISO-8601 FORMAT)
 L = LOCATION - 1 = USA
 2 = MEXICO
 3 = CHINA
 4 = PHILIPPINES
 SSSS = SERIAL NUMBER (0001-9999)
 X.XM: CABLE LENGTH, AS SHOWN ON P/N TABLE
 XXAWG: WIRE GAGE, SEE TABLE

ADDED P/N 1110402255 EC NO: CFG2017-0314 DRWNG: KUMARR 2016/08/24 CHKD: KAGANNA 2016/08/26 APPR: ARAYBURN 2016/08/26 REV DESCRIPTION	QUALITY SYMBOLS	GENERAL TOLERANCES (UNLESS SPECIFIED)	DIMENSION STYLE	SCALE	DESIGN UNITS	THIRD ANGLE PROJECTION
	▽=0	mm INCH	MM ONLY	1:1	METRIC	☉
	▽=0	4 PLACES ±---+ 3 PLACES ±---+ 2 PLACES ±0.13+ 1 PLACE ±0.25+ 0 PLACE ±+---	DRAWN BY DATE JENGRAVE 2014/10/20 CHECKED BY DATE RAGYEJ 2015/01/30 APPROVED BY DATE ARAYBURN 2014/11/11	TITLE	QSF+ COPPER PATCH CABLE ASSEMBLY	
	▽=0	ANGULAR ±---° DRAFT WHERE APPLICABLE MUST REMAIN WITHIN DIMENSIONS	MATERIAL NO. SEE P/N TABLE	DOCUMENT NO. SD-111040-0005	SHEET NO. 3 OF 3	
THIS DRAWING CONTAINS INFORMATION THAT IS PROPRIETARY TO MOLEX INCORPORATED AND SHOULD NOT BE USED WITHOUT WRITTEN PERMISSION						