



Chipsmall Limited consists of a professional team with an average of over 10 year of expertise in the distribution of electronic components. Based in Hongkong, we have already established firm and mutual-benefit business relationships with customers from,Europe,America and south Asia,supplying obsolete and hard-to-find components to meet their specific needs.

With the principle of "Quality Parts,Customers Priority,Honest Operation,and Considerate Service",our business mainly focus on the distribution of electronic components. Line cards we deal with include Microchip,ALPS,ROHM,Xilinx,Pulse,ON,Everlight and Freescale. Main products comprise IC,Modules,Potentiometer,IC Socket,Relay,Connector.Our parts cover such applications as commercial,industrial, and automotives areas.

We are looking forward to setting up business relationship with you and hope to provide you with the best service and solution. Let us make a better world for our industry!



Contact us

Tel: +86-755-8981 8866 Fax: +86-755-8427 6832

Email & Skype: info@chipsmall.com Web: www.chipsmall.com

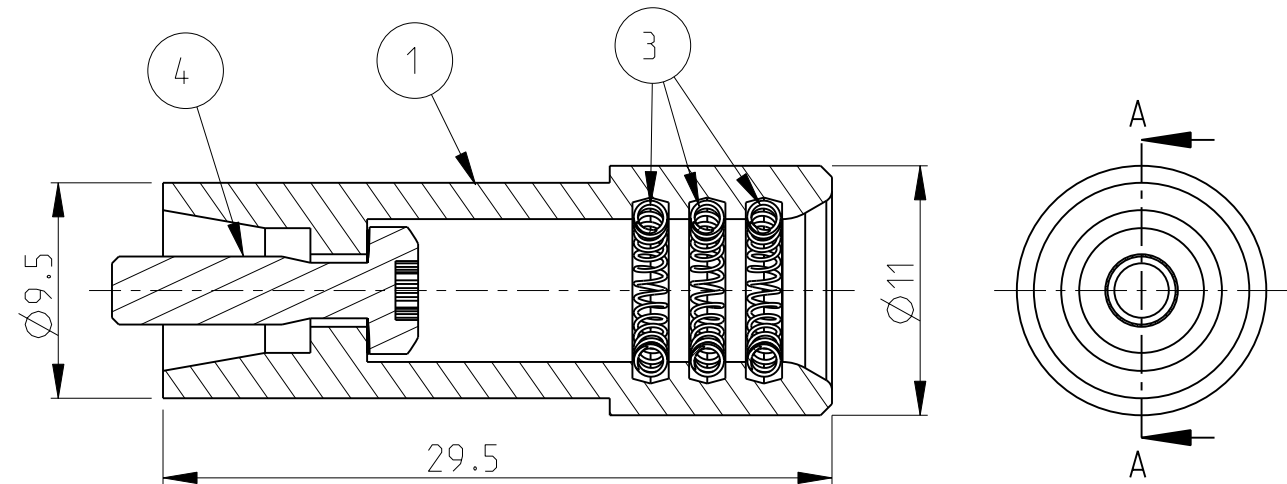
Address: A1208, Overseas Decoration Building, #122 Zhenhua RD., Futian, Shenzhen, China



THIS DRAWING IS UNPUBLISHED. RELEASED FOR PUBLICATION .2000

© COPYRIGHT 2000 BY TYCO ELECTRONICS CORPORATION. ALL RIGHTS RESERVED.

PN 0-1



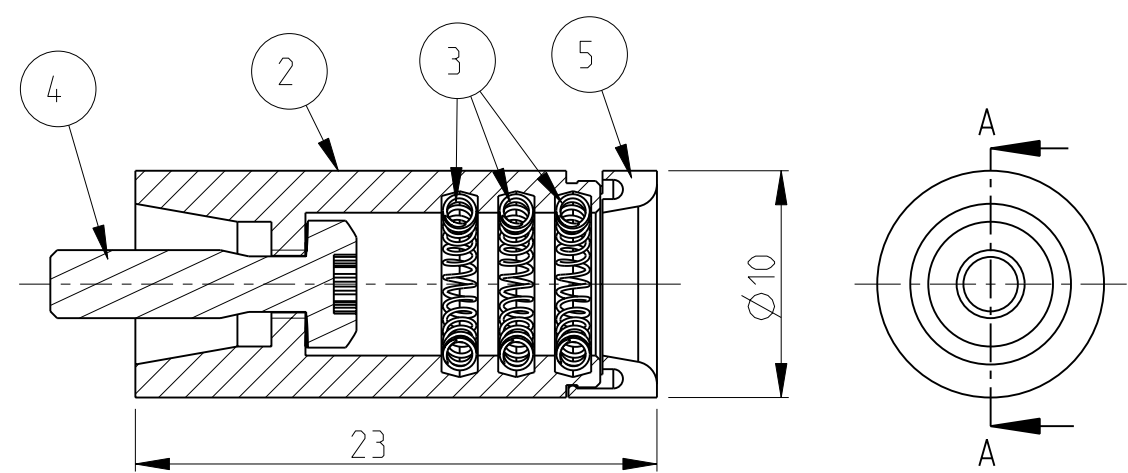
SECTION A-A
SCALE 3:1

LOC	DIST	REVISIONS					
		P	LTR	DESCRIPTION	DATE	DWN	APVD
AI	-						
NOTES		C4	RELEASED AS PER ECR-09-006875			25-MAR-2009	GG TS

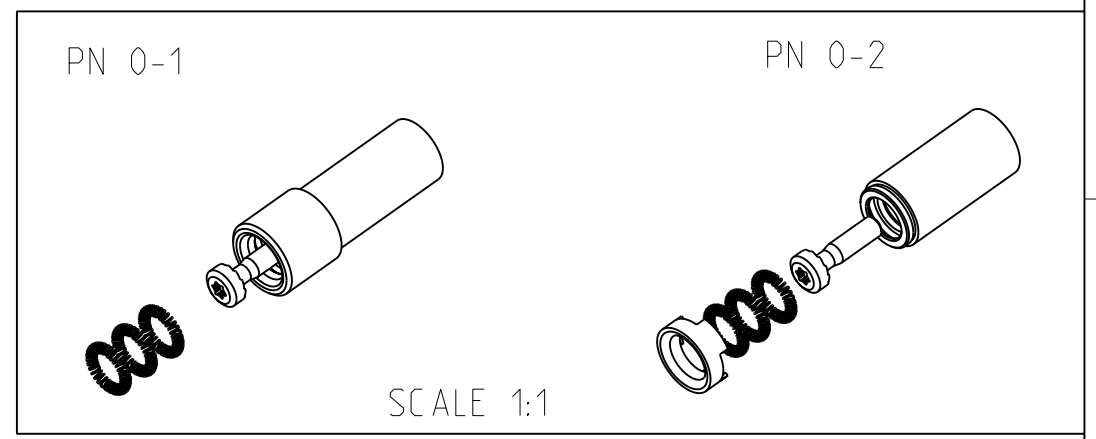
- SUITABLE CRIMP BARRELS:SERIES HF.06/08
CUSTOMER DRAWING: 1110952,1108807
- SUITABLE INSERTS:
FOR 0-1: SERIES MDL;MDL2
CUSTOMER DRAWING: 1102998,1103024,1104560,1110957

FOR 0-2: SERIES HVS;HC.20
CUSTOMER DRAWING: 1103242,1245441
- STANDARDS:
DIN EN 61984;DIN EN 60664-1
- PACKAGING QUANTITY: 10 SETS
IN A CARTON,PRE-MOUNTED

PN 0-2



SECTION A-A
SCALE 3:1



1	-	IP20 PROTECTION	PA6.6-GF25	-	BLACK	5	FOR SOCKET CONTACT
1	1	SCREW	STAINL.STEEL	-	-	4	M3 SELF LOCKING
3	3	COIL SPRING	Cu/be	SILVER PLATED	-	3	RAD.6.0 mm
1	-	SOCKET CONTACT	BRASS	SILVER PLATED	-	2	SHORT VERSION
-	1	SOCKET CONTACT	BRASS	SILVER PLATED	-	1	LONG VERSION
0-2	0-1	DESCRIPTION	MATERIAL	SURFACE	COLOR	ITEM NO	REMARKS
		HF.06.Bu					
		HF.06.Bu-IP20					

<small>THIS DRAWING IS A CONTROLLED DOCUMENT FOR TYCO ELECTRONICS CORPORATION IT IS SUBJECT TO CHANGE AND THE CONTROLLING ENGINEERING ORGANIZATION SHOULD BE CONTACTED FOR THE LATEST REVISION.</small>		DWN 09/08/2005 G.W.ROBLEWSKI CHK 09/08/2005 H.BRAUN APVD 09/08/2005 T.SCHNURPFIL		Tyco Electronics.AMP.GmbH 53757 Sankt Augustin, Germany	
DIMENSIONS: mm		TOLERANCES UNLESS OTHERWISE SPECIFIED: 0 PLC ± 1 PLC ± 2 PLC ± 3 PLC ± 4 PLC ± ANGLES ±		NAME ASS'Y SOCKET CONTACT SERIES HF6	
		MATERIAL 5		FINISH 6	
		PRODUCT SPEC 108-74024		SIZE CAGE CODE DRAWING NO RESTRICTED TO A3 00779 C=1110949	
		APPLICATION SPEC 114-74031		WEIGHT -	
		CUSTOMER DRAWING		SCALE 5:1 SHEET 1 OF 1 REV C4	