



Chipsmall Limited consists of a professional team with an average of over 10 year of expertise in the distribution of electronic components. Based in Hongkong, we have already established firm and mutual-benefit business relationships with customers from,Europe,America and south Asia,supplying obsolete and hard-to-find components to meet their specific needs.

With the principle of "Quality Parts,Customers Priority,Honest Operation,and Considerate Service",our business mainly focus on the distribution of electronic components. Line cards we deal with include Microchip,ALPS,ROHM,Xilinx,Pulse,ON,Everlight and Freescale. Main products comprise IC,Modules,Potentiometer,IC Socket,Relay,Connector.Our parts cover such applications as commercial,industrial, and automotives areas.

We are looking forward to setting up business relationship with you and hope to provide you with the best service and solution. Let us make a better world for our industry!



## Contact us

Tel: +86-755-8981 8866 Fax: +86-755-8427 6832

Email & Skype: info@chipsmall.com Web: www.chipsmall.com

Address: A1208, Overseas Decoration Building, #122 Zhenhua RD., Futian, Shenzhen, China

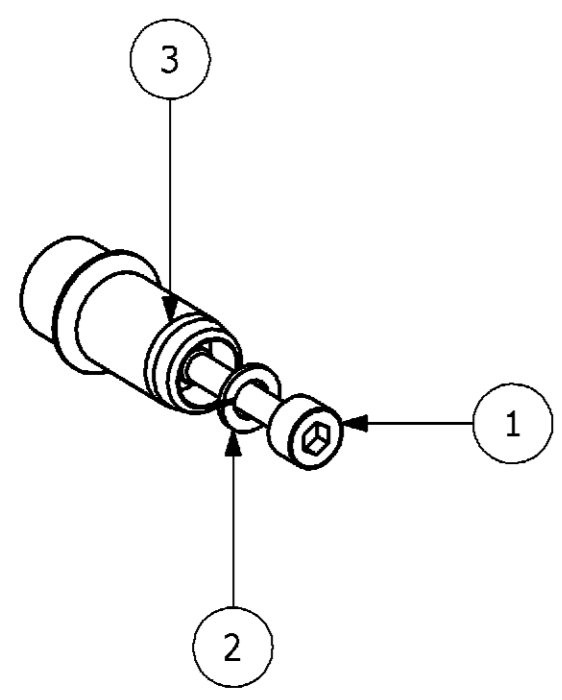


**NOTES**

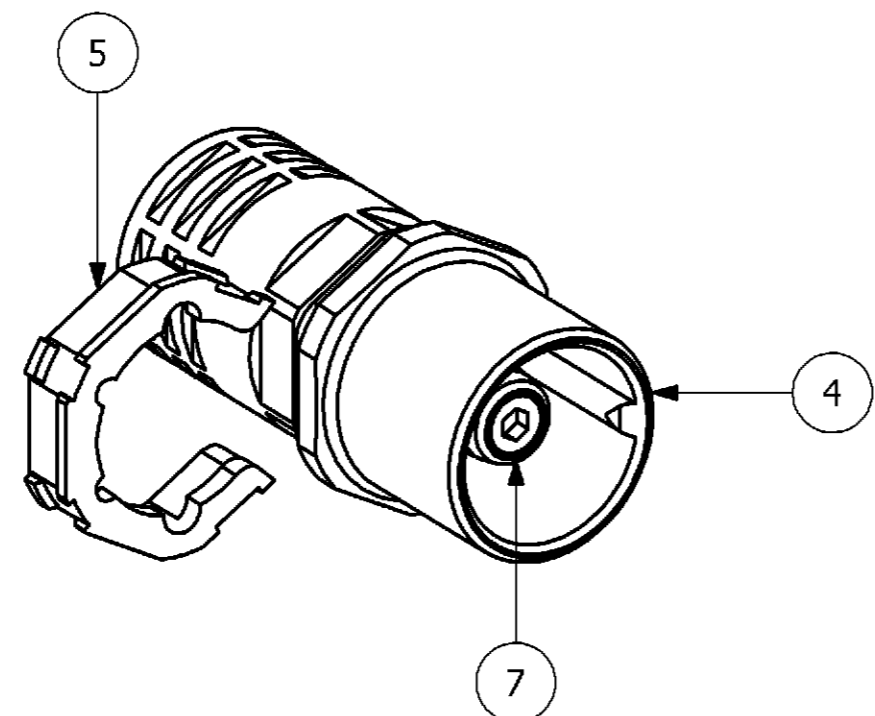
1 PACKAGING PN 01-05  
PACKAGING QUANTITY: 5 PIECES

2 PACKAGING PN 06  
PACKAGING QUANTITY: 1 PIECE

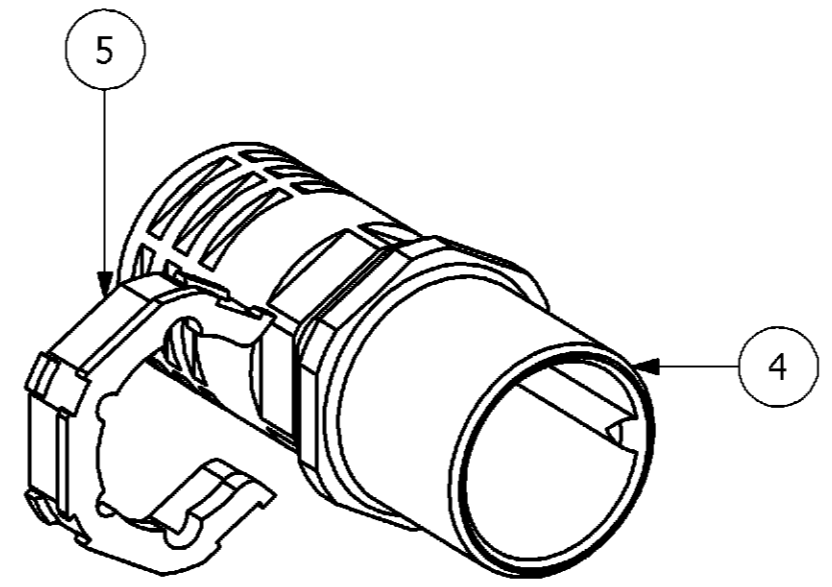
SEE TYCO QUALITYMANAGEMENT PROCEDURE NO. 1.12 CURRENT REV.



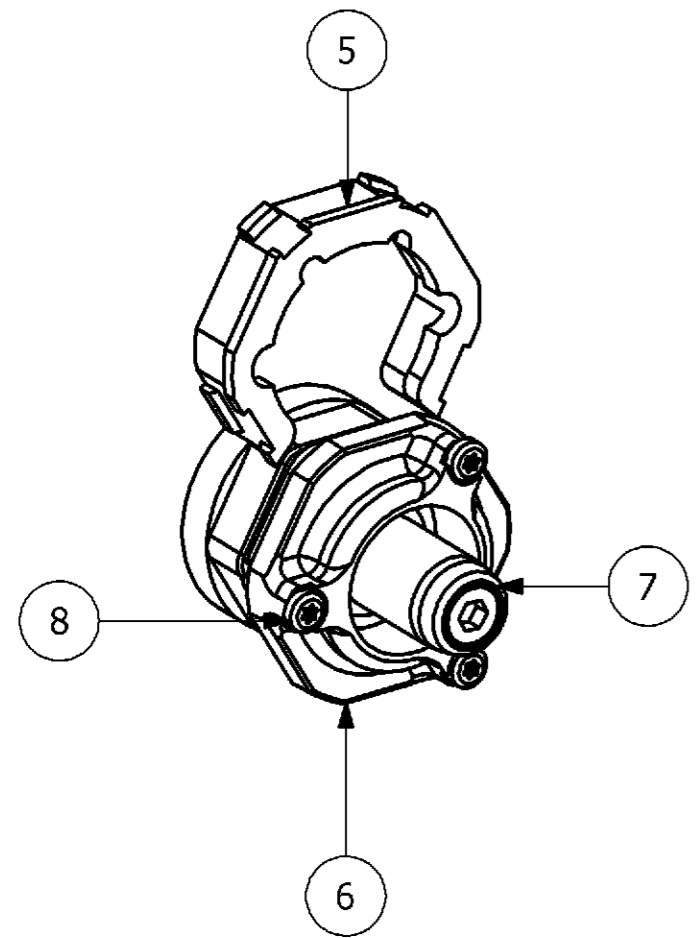
0-1/0-6



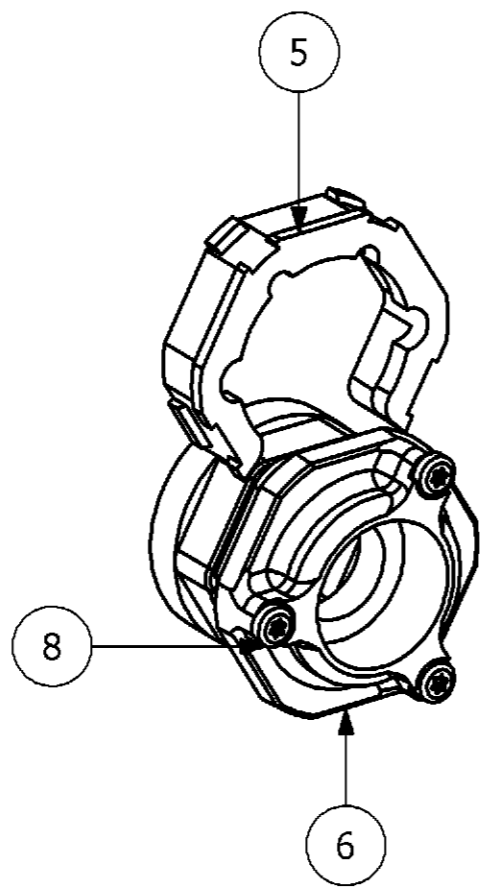
0-2



0-3



0-4



0-5

-	3	3	-	-	-	SCREW	V2A	-	8	M3X11.5, SELFLOCKING, PRE MOUNTED
-	-	1	-	1	-	PIN CONTACT	-	-	7	LOOSE ADDED
-	1	1	-	-	-	CONTACT SOCKET GROUND	GD-ZnAl	-	6	-
-	1	1	1	1	-	CLIP	PA66	Sw	5	LOOSE ADDED
-	-	-	1	1	-	CONTACT INSERT PIN	PA66	Sw	4	-
1	-	-	-	-	1	PIN CONTACT	CuZn	Ag	3	-
1	-	-	-	-	1	SPRINGWASHER	V2A	-	2	-
1	-	-	-	-	1	SCREW	V2A	-	1	M5X30
0-6	0-5	0-4	0-3	0-2	0-1	DESCRIPTION	Material	Surface/Color	ITEM/NO.	
				X		HF. 13.Sti				
			X			SET-HF. 13/16-13.Sti				
		X				HF. 13/16.Sti				
			X			SET-HF.E-13.Sti				
	X					HF.E. 13/16.Sti				
X						HF. 13.Sti-1				

THIS DRAWING IS A CONTROLLED DOCUMENT FOR AMP INCORPORATED. IT IS SUBJECT TO CHANGE AND THE CONTROLLING ENGINEERING ORGANIZATION SHOULD BE CONTACTED FOR THE LATEST REVISIONS. THESE TECHNICAL SPECIFICATIONS, DIMENSIONS AND TOLERANCES ARE SUBJECT TO CHANGE WITHOUT NOTICE. ANY CHANGES TO THESE TECHNICAL SPECIFICATIONS, DIMENSIONS AND TOLERANCES WILL BE NOTIFIED BY A REVISION. THE LATEST REVISIONS WILL BE THE APPLICABLE VERSION. FOR THE LATEST REVISIONS, PLEASE REFER TO THE REVISIONS LIST ON THE DRAWING.

DIMENSIONS: mm

TOLERANCES UNLESS OTHERWISE SPECIFIED: ALLGEMEIN TOLERANZEN

n. ISO 8015 - mH-E  
n. ISO 2768 - #  
n. DIN 16901-140

0 PLC #  
1 PLC #  
2 PLC #  
3 PLC #  
ANGLES / WINKEL #

MATERIAL FINISH / OBERFLÄCHE / FARBE

WEIGHT / GEWICHT 0,001 KG

DWN G.WROBLEWSKI 27.09.2006  
CHK H.BRAUN 26.09.2006  
APVD T.SCHNURPFEL 26.09.2006

NAME ASSY CONTACT PIN  
SERIES HF 13

PRODUCT SPEC. 108-74025  
APPLICATION SPEC. 114-74032

SIZE A2  
CAGE CODE 00779  
DRAWING NO. 1110950  
REVISIONS 1

RESTRICTED TO NUR FÜR

CUSTOMER DRAWING / KUNDENZEICHNUNG

SCALE 1:1  
SHEET 1 OF 1  
REV. A3