



Chipsmall Limited consists of a professional team with an average of over 10 year of expertise in the distribution of electronic components. Based in Hongkong, we have already established firm and mutual-benefit business relationships with customers from,Europe,America and south Asia,supplying obsolete and hard-to-find components to meet their specific needs.

With the principle of "Quality Parts,Customers Priority,Honest Operation,and Considerate Service",our business mainly focus on the distribution of electronic components. Line cards we deal with include Microchip,ALPS,ROHM,Xilinx,Pulse,ON,Everlight and Freescale. Main products comprise IC,Modules,Potentiometer,IC Socket,Relay,Connector.Our parts cover such applications as commercial,industrial, and automotives areas.

We are looking forward to setting up business relationship with you and hope to provide you with the best service and solution. Let us make a better world for our industry!



## Contact us

Tel: +86-755-8981 8866 Fax: +86-755-8427 6832

Email & Skype: info@chipsmall.com Web: www.chipsmall.com

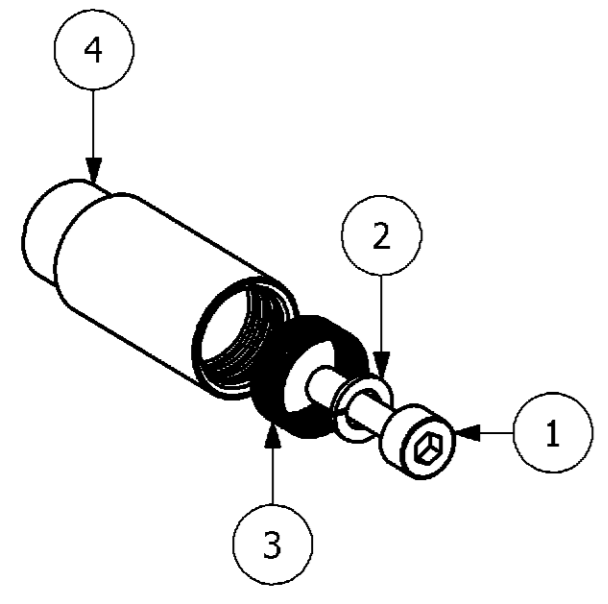
Address: A1208, Overseas Decoration Building, #122 Zhenhua RD., Futian, Shenzhen, China



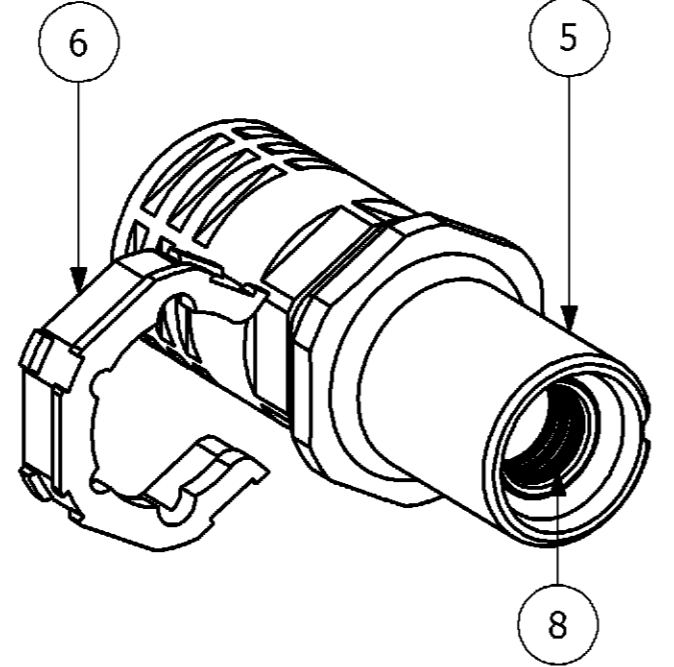
LOC		DIST		REVISIONS ÄNDERUNGEN			DATE	DWN	APVD
AI	-	P	LTR	DESCRIPTION BESCHREIBUNG					
PROJEKT NR.	B901815	A3		PN 0-6 ADDED ECR-022867		19.09.2006	GW	BR	

**NOTES**

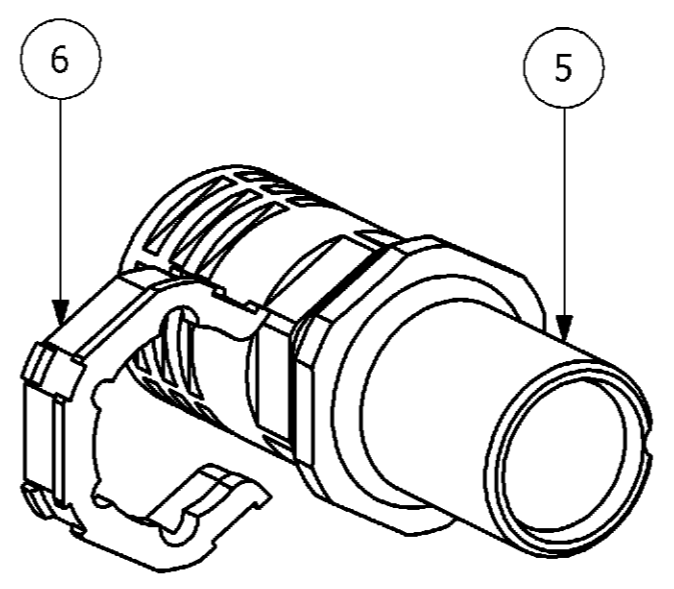
- 1 PACKAGING PN 01-05  
PACKAGING QUANTITY: 5 PIECES
- 2 PACKAGING PN 06  
PACKAGING QUANTITY: 1 PIECE
- SEE TYCO QUALITYMANAGEMENT PROCEDURE NO. 1.12 CURRENT REV.



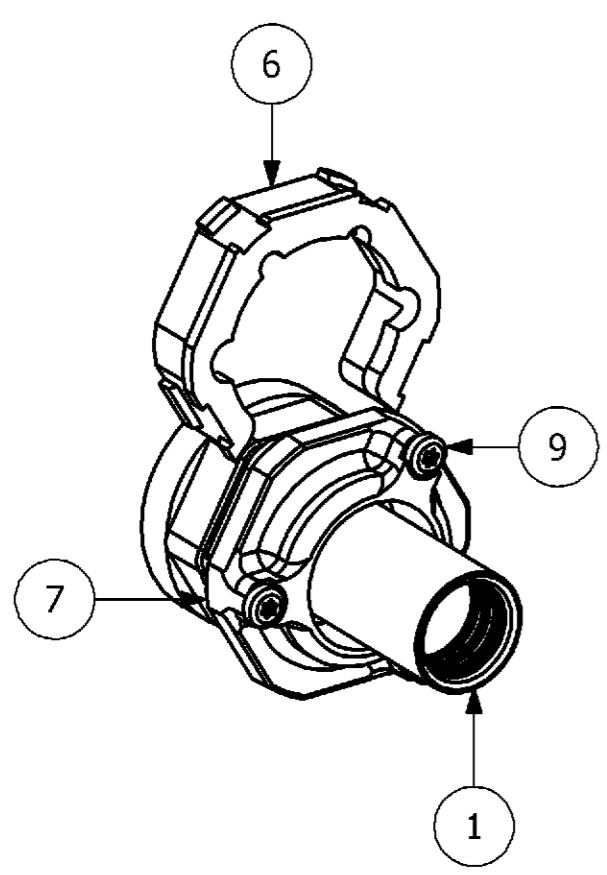
PN 0-1/0-6



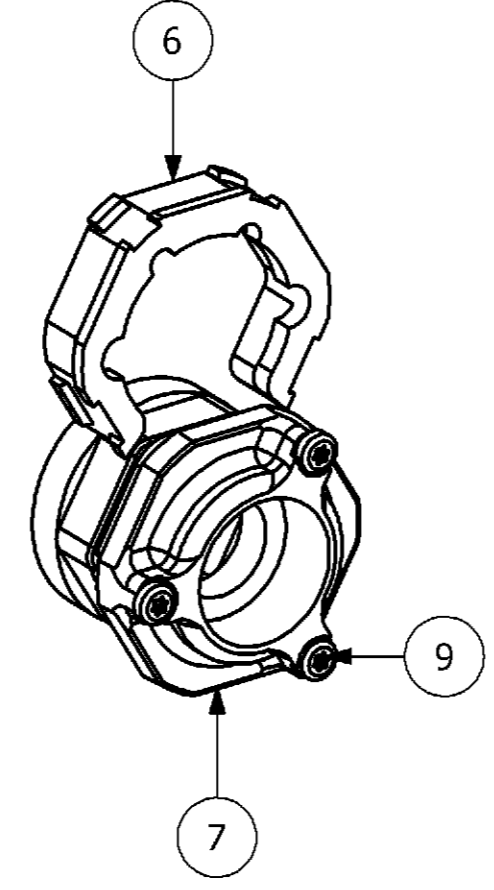
PN 0-2



PN 0-3



PN 0-4



PN 0-5

QTY	QTY	QTY	QTY	QTY	QTY	DESCRIPTION	Material	Surcace/Color	ITEM/NO.
-	3	3	-	-	-	SCREW	V2A	-	9
-	-	1	-	1	-	SOCKET CONTACT	-	-	8
-	1	1	-	-	-	CONTACT SOCKET GROUND	GD-ZnAl	-	7
-	1	1	1	1	-	CLIP	PA66	Sw	6
-	-	-	1	1	-	CONTACT INSERT SOCKET	PA66	Sw	5
1	-	-	-	-	1	SOCKET CONTACT	CuZn	Ag	4
3	-	-	-	-	3	CANTED COIL SPRING	BeCu	Ag	3
1	-	-	-	-	1	SPRINGWASHER	V2A	-	2
1	-	-	-	-	1	SCREW	V2A	-	1
0-6	0-5	0-4	0-3	0-2	0-1	DESCRIPTION	Material	Surcace/Color	ITEM/NO.
				X		HF. 13.Bu			
			X			SET-HF. 13/16-13.Bu			
		X				HF. 13/16.Bu			
			X			SET-HF.E-13.Bu			
X						HF.E. 13/16.Bu			
X						HF. 13.Bu-1			

THIS DRAWING IS A CONTROLLED DOCUMENT FOR AMP INCORPORATED. IT IS SUBJECT TO CHANGE AND THE CONTROLLING ENGINEERING ORGANIZATION SHOULD BE CONTACTED FOR THE LATEST REVISION. DIESE ZEICHNUNG SOLLTE BEI VERÄNDERUNGEN UND FÜR VERBODENEN ANÄNDERUNGEN, DIE DEN TECHNISCHEN FORTSCHRITT ÜBERHAUPT, SIND VORBEHALTEN. DEN JEWELIGS LETZTIGELIGEN ÄNDERUNGSSTAND ERFAHREN SIE AUF ANFRAGE.

DIMENSIONS: mm

TOLERANCES UNLESS OTHERWISE SPECIFIED: ALLGEMEINTOLERANZEN

0 PLC #  
1 PLC #  
2 PLC #  
3 PLC #  
ANGLES / WINKEL #

MATERIAL FINISH / OBERFLÄCHE / FARBE

WEIGHT GEWICHT

DWN G.WROBLEWSKI 19.09.2006  
CHK H.BRAUN 19.09.2006  
APVD T.SCHNURPFEL 19.09.2006

NAME T.SCHNURPFEL  
PRODUCT SPEC. 108-74025  
APPLICATION SPEC. 114-74032

Tyco / Electronics AMP GmbH  
D - 53819 Neunkirchen

CONTACT SOCKET  
SERIES HF

SIZE A2  
CAGE CODE 00779  
DRAWING NO. 1110951  
RESTRICTED TO NUR FÜR

CUSTOMER DRAWING / KUNDENZEICHNUNG  
SCALE MASSSTAB 1:1  
SHEET BLATT 1 OF 1 VON 1  
REV. A3