



Chipsmall Limited consists of a professional team with an average of over 10 year of expertise in the distribution of electronic components. Based in Hongkong, we have already established firm and mutual-benefit business relationships with customers from,Europe,America and south Asia,supplying obsolete and hard-to-find components to meet their specific needs.

With the principle of "Quality Parts,Customers Priority,Honest Operation,and Considerate Service",our business mainly focus on the distribution of electronic components. Line cards we deal with include Microchip,ALPS,ROHM,Xilinx,Pulse,ON,Everlight and Freescale. Main products comprise IC,Modules,Potentiometer,IC Socket,Relay,Connector.Our parts cover such applications as commercial,industrial, and automotives areas.

We are looking forward to setting up business relationship with you and hope to provide you with the best service and solution. Let us make a better world for our industry!



## Contact us

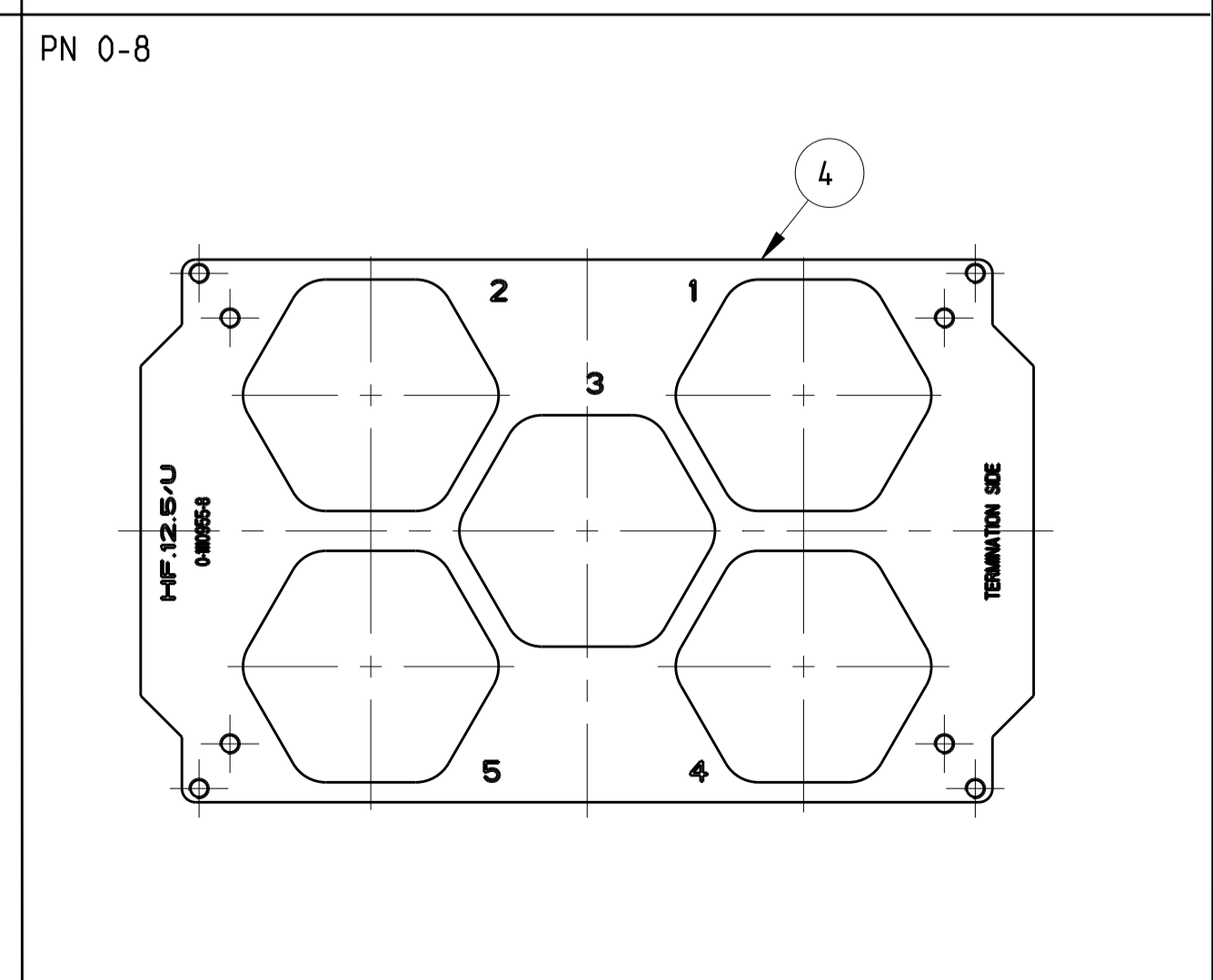
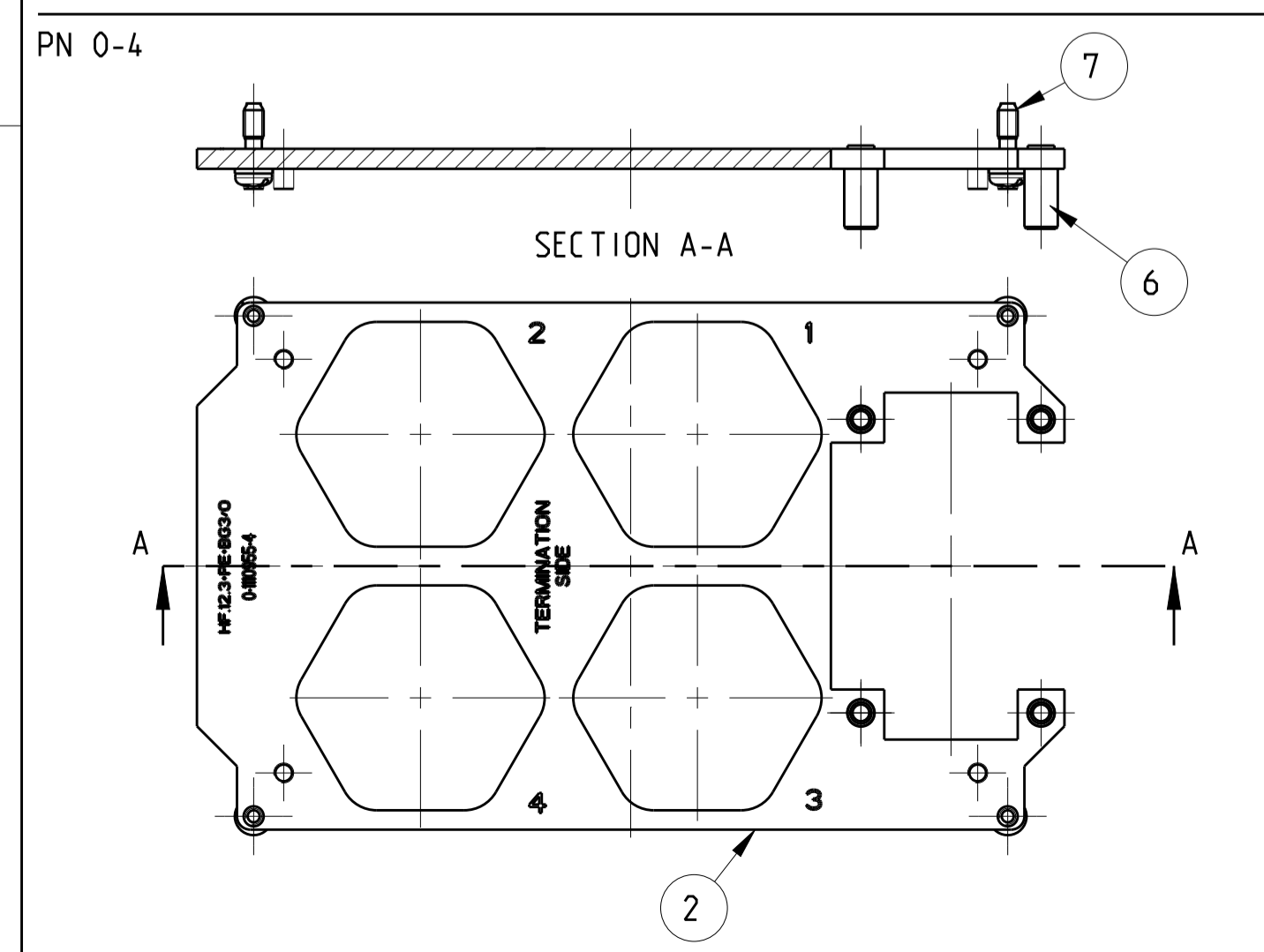
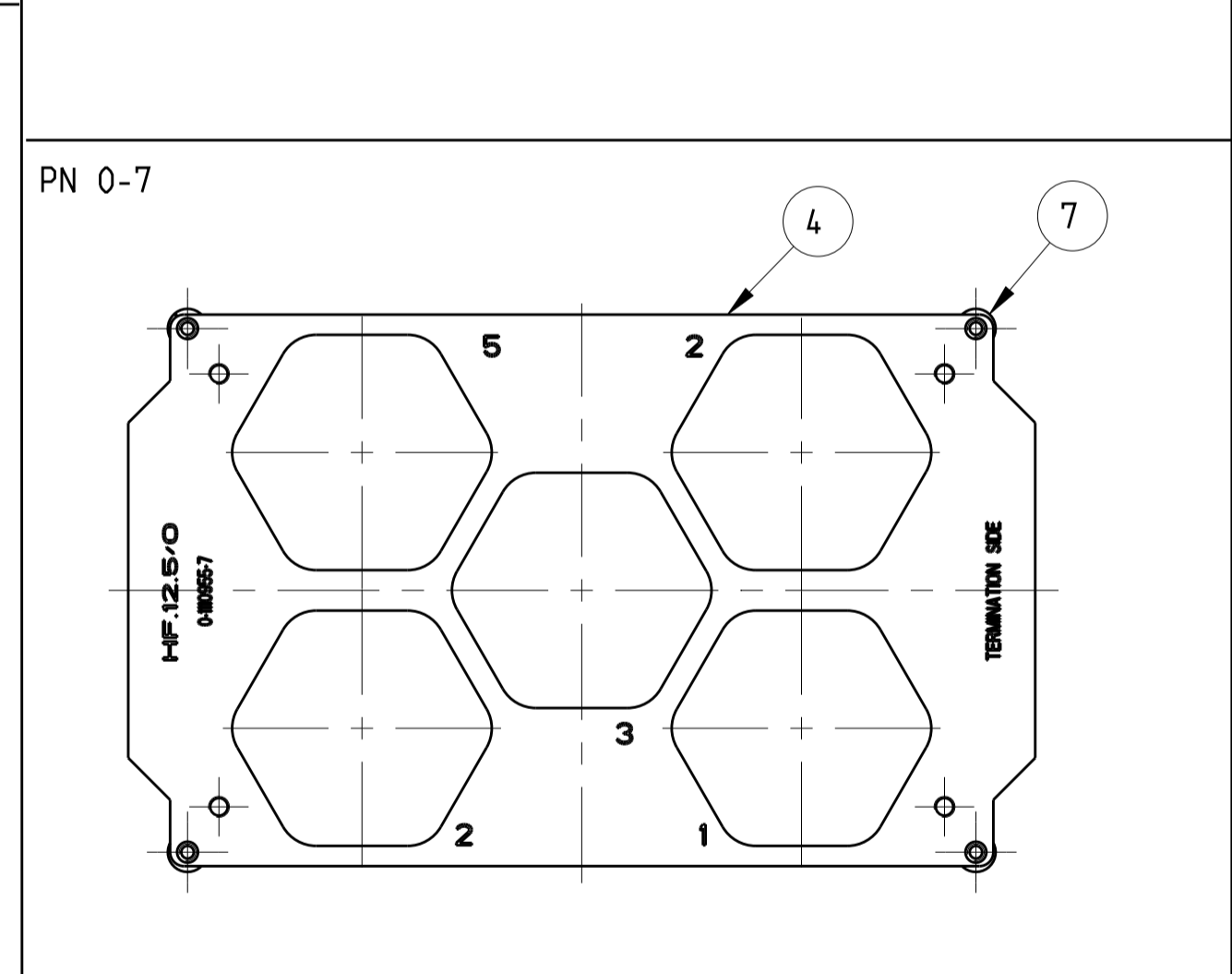
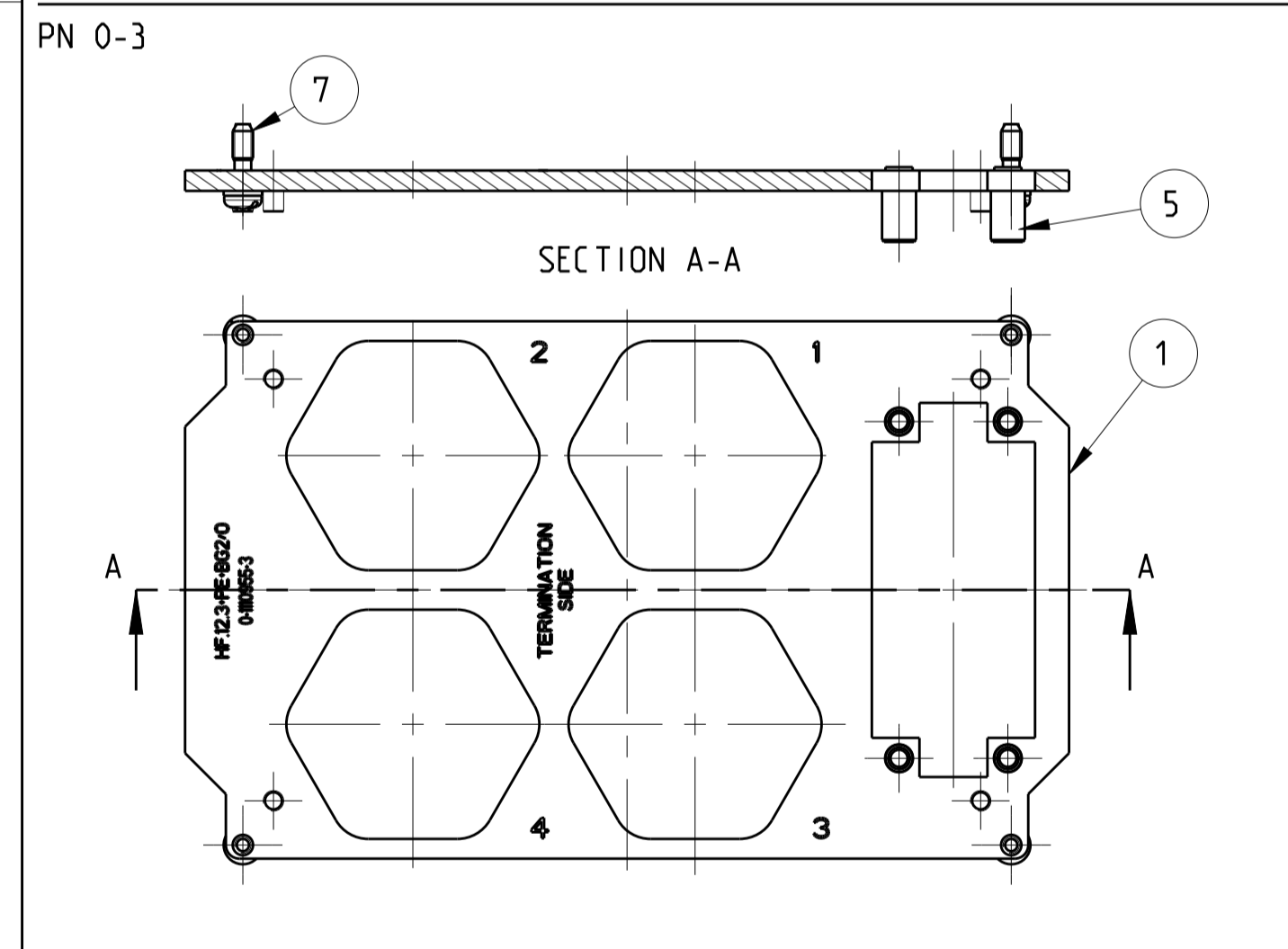
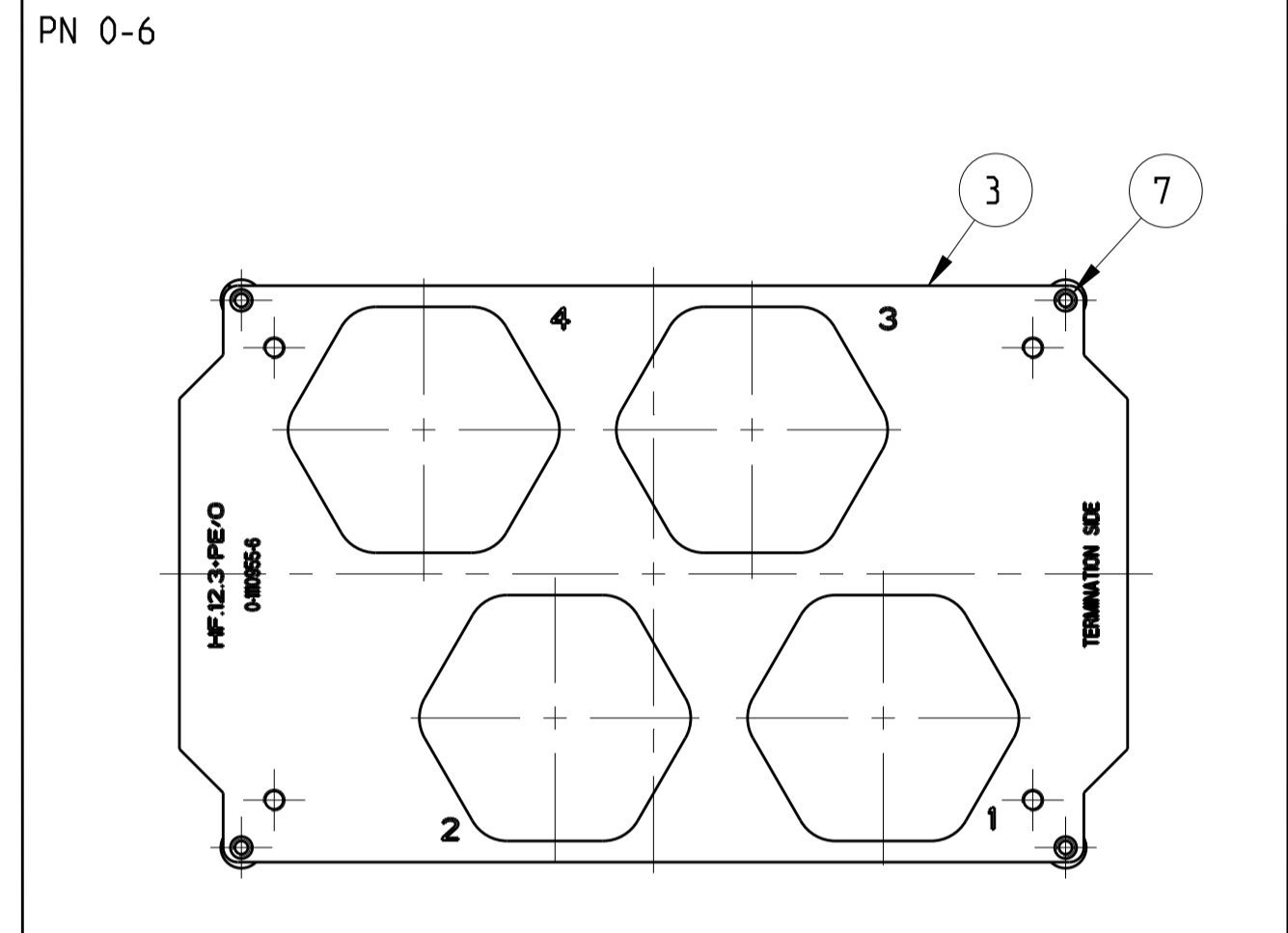
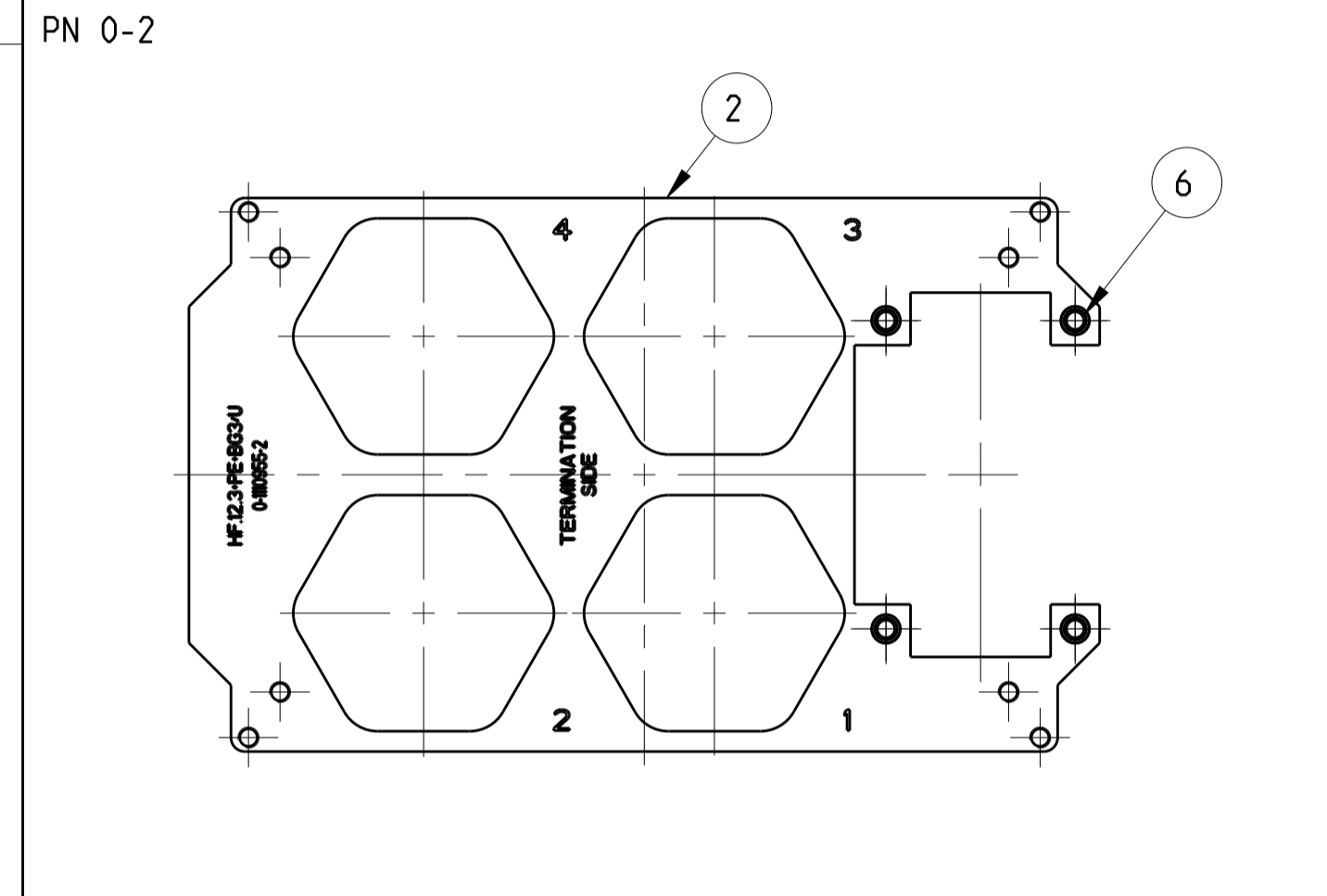
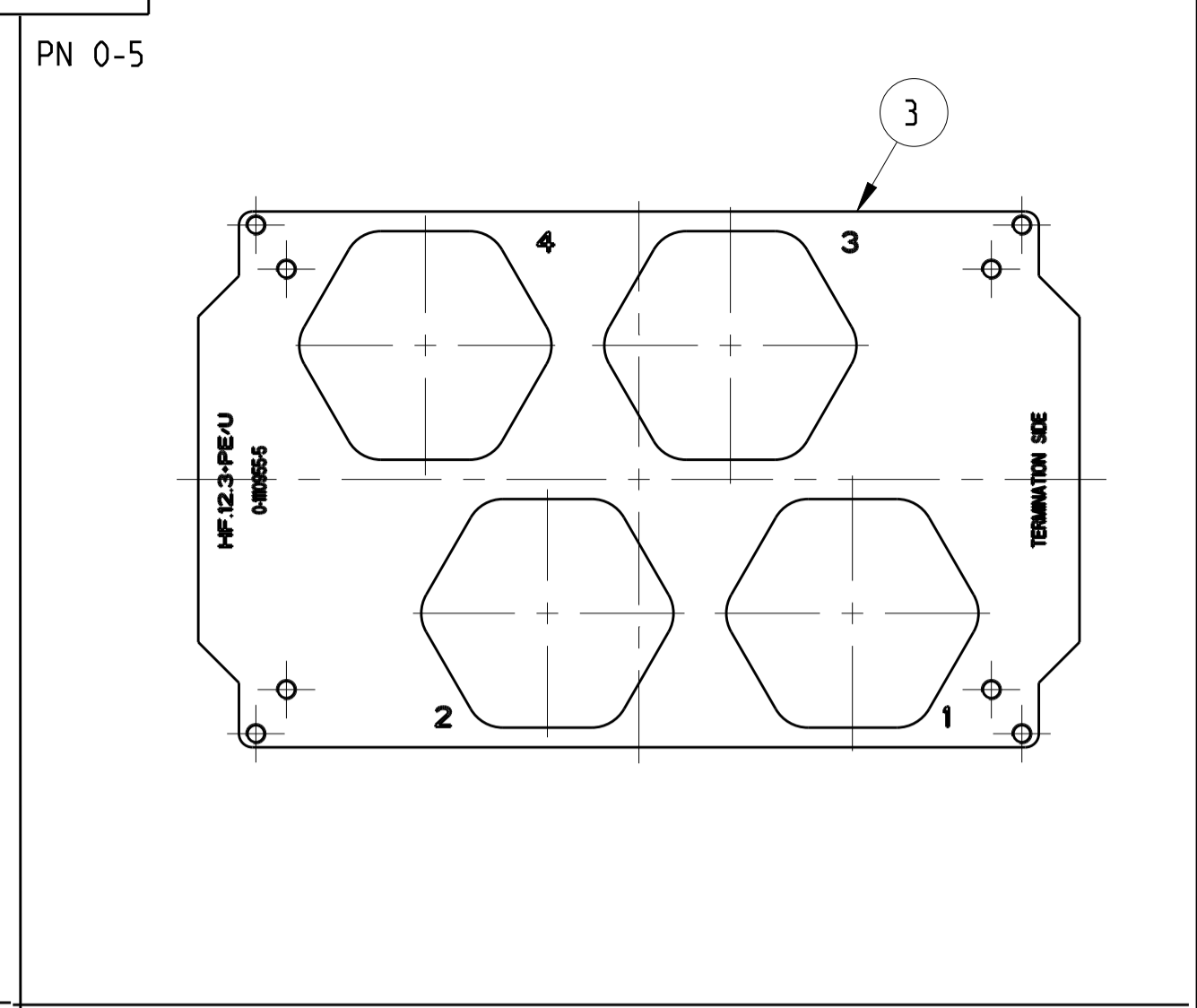
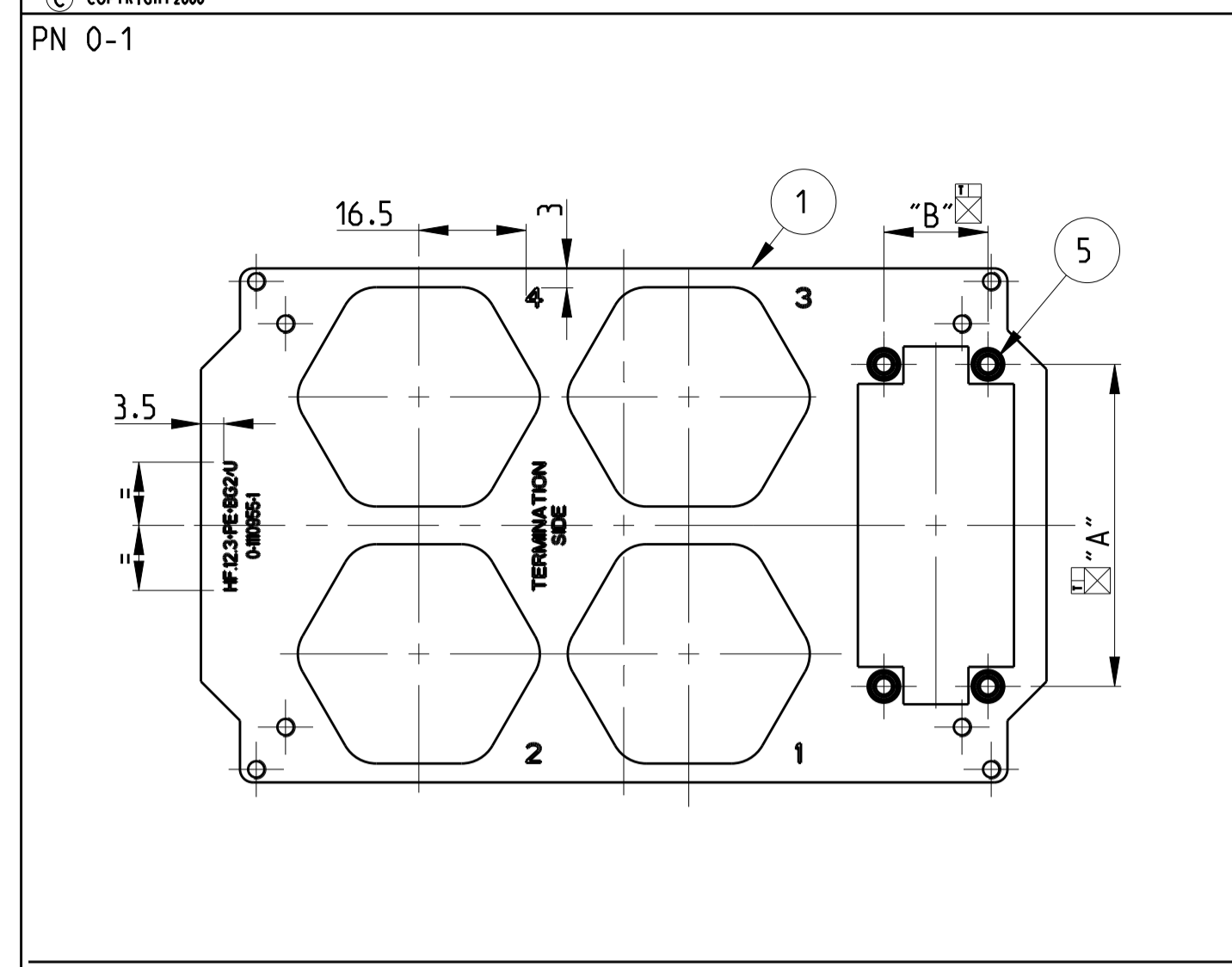
Tel: +86-755-8981 8866 Fax: +86-755-8427 6832

Email & Skype: info@chipsmall.com Web: www.chipsmall.com

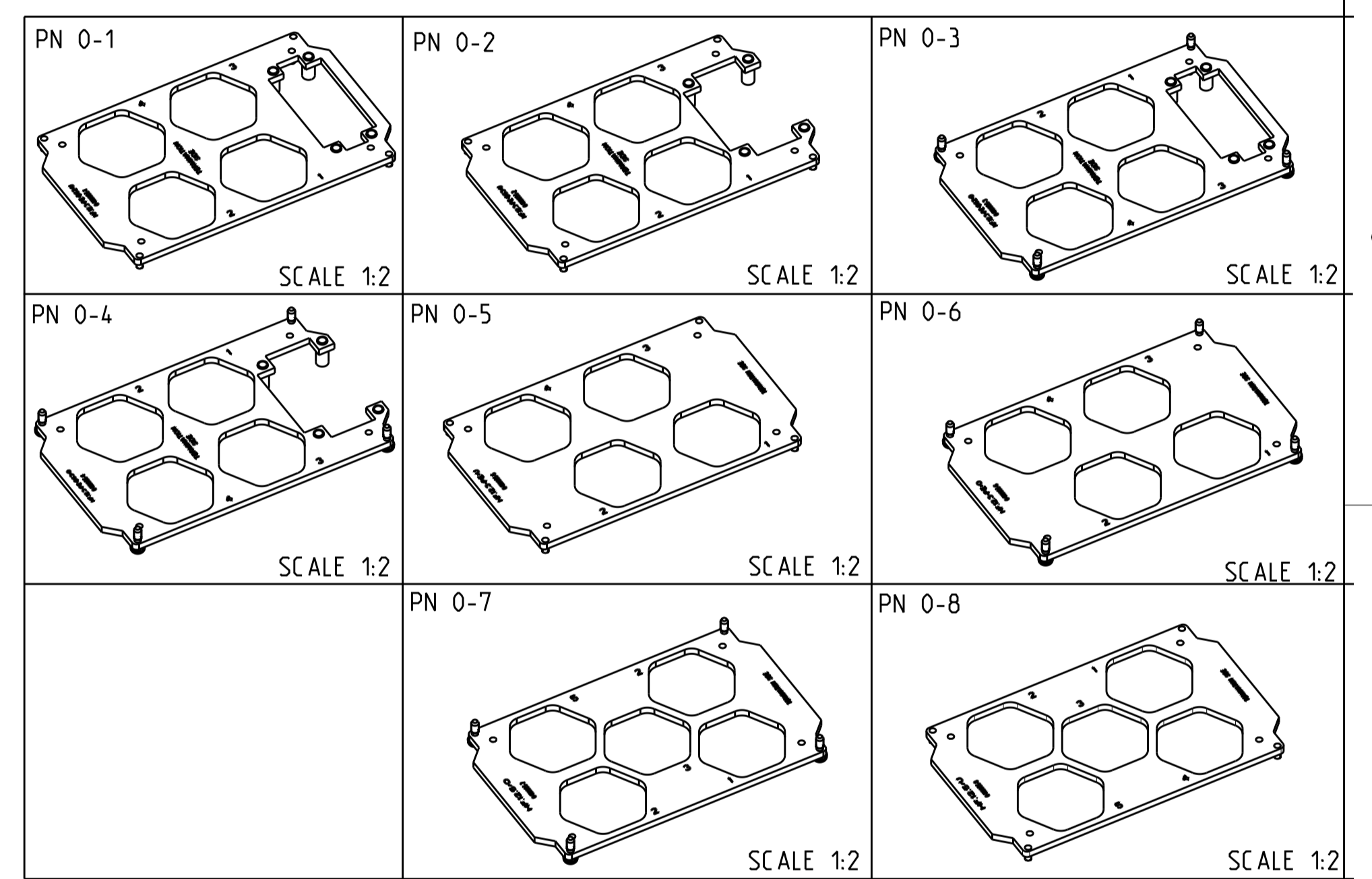
Address: A1208, Overseas Decoration Building, #122 Zhenhua RD., Futian, Shenzhen, China



LOC	DIST	REVISIONS			
P	LTR	DESCRIPTION	DATE	DWN	APVD
B9		ECR-16-009338	08DEC2016	GCM	MKO



- NOTES
- 1 MATERIAL:SEE THE TABLE
  - 2 SURFACE:SEE THE TABLE
  - 3 PACKAGING QUANTITY 5 PIECES IN A CARTON
  - 4 WEIGHT:0.112 Kg (APROX)



QUANTITY		DESCRIPTION	MATERIAL	SURFACE	A	B	ITEM NO	NOTES
4	4	FIXING SCREW	STEEL	NICKEL PLATED			7	M3x10.5
	4	THREAD SOCKET FOR INSERT	STEEL	ZINC PLATED			6	M3x12.5
	4	THREAD SOCKET FOR INSERT	STEEL	ZINC PLATED			5	M3x11
1	1	FIXING PLATE	STEEL	ZINC PLATED			4	
	1	FIXING PLATE	STEEL	ZINC PLATED	44	27	2	SIZE 3
	1	FIXING PLATE	STEEL	ZINC PLATED	49.5	16	1	SIZE 2
0-8	0-7	0-6	0-5	0-4	0-3	0-2	0-1	DESCRIPTION
								HF.12.3+PE+BG2/U
								HF.12.3+PE+BG3/U
								HF.12.3+PE+BG2/O
								HF.12.3+PE+BG3/O
								HF.12.3+PE/U
								HF.12.3+PE/O
								HF.12.5/O
								HF.12.5/U

THIS DRAWING IS A CONTROLLED DOCUMENT. DIMENSIONS: mm. TOLERANCES UNLESS OTHERWISE SPECIFIED: 0 PLC ±, 1 PLC ±, 2 PLC ±, 3 PLC ±, 4 PLC ±. MATERIAL: 1. FINISH: 2.

DMN SCHNEIDER 06.09.2006  
 CHE H.BRAUN 06.09.2006  
 APVD I.SCHNURPEIL 06.09.2006

NAME: FIXING PLATE SERIES HF SIZE 12  
 SIZE: A1  
 CAGE CODE: 00779  
 DRAWING NO: 1110955  
 WEIGHT: 0.112 Kg  
 CUSTOMER DRAWING

TE Connectivity

SCALE: 1:1 SHEET: 1 OF 1 REV: B9