



Chipsmall Limited consists of a professional team with an average of over 10 year of expertise in the distribution of electronic components. Based in Hongkong, we have already established firm and mutual-benefit business relationships with customers from,Europe,America and south Asia,supplying obsolete and hard-to-find components to meet their specific needs.

With the principle of “Quality Parts,Customers Priority,Honest Operation,and Considerate Service”,our business mainly focus on the distribution of electronic components. Line cards we deal with include Microchip,ALPS,ROHM,Xilinx,Pulse,ON,Everlight and Freescale. Main products comprise IC,Modules,Potentiometer,IC Socket,Relay,Connector.Our parts cover such applications as commercial,industrial, and automotives areas.

We are looking forward to setting up business relationship with you and hope to provide you with the best service and solution. Let us make a better world for our industry!



## Contact us

Tel: +86-755-8981 8866 Fax: +86-755-8427 6832

Email & Skype: info@chipsmall.com Web: www.chipsmall.com

Address: A1208, Overseas Decoration Building, #122 Zhenhua RD., Futian, Shenzhen, China





# CAM LOCK - L HANDLE



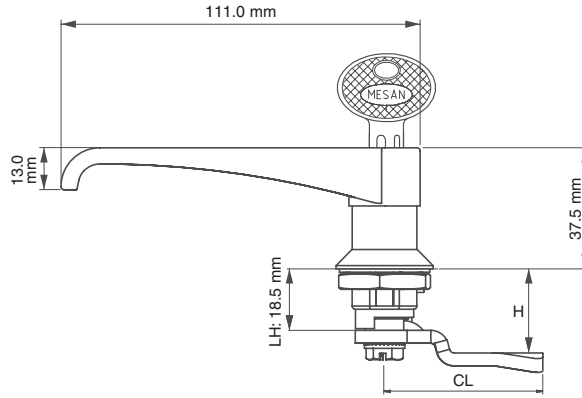
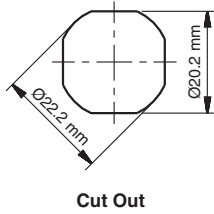
\*Example with cam. Cam sold separately.

### Specifications

- Material:  
Housing: Zinc Alloy (Zamak) DIN-EN 1774-ZnAl4Cu1  
Cam: Steel or Plastic  
Gasket: Rubber

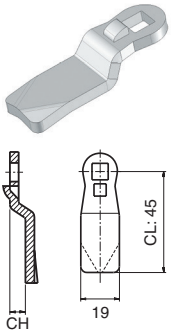
### Features

- Quarter-turn operation
- Available in all die-cast zinc alloy or with polyamide wing handle and housing
- Optional blind version
- Applications: Electric panels, machinery covers



Item Number				
Zinc Alloy / Chrome	Zinc Alloy / Black	Nylon / Black	Driver	Cam
111110000	111120000	111200000	L Handle/Non Locking	Select Cam Below
111110100	111120100	111200100	L Handle/Keyed alike	Select Cam Below

### Steel Cam

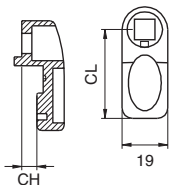


Material: Steel  
Finish: Zinc plated  
Thickness: 4 mm

Item Number	CH (mm)	CL (mm)	H (mm)
30403033	0	45	18.5
30403439	1	45	19.5
30403159	2	45	20.5
30403063	3	45	21.5
30403149	4	45	22.5
30403160	6	45	24.5
30403161	8	45	26.5
30403162	10	45	28.5
30403045	12	45	30.5
30403163	14	45	32.5
30403151	16	45	34.5
30403165	18	45	36.5

Item Number	CH (mm)	CL (mm)	H (mm)
30403166	20	45	38.5
30403167	22	45	40.5
30403168	24	45	42.5
30403169	-2	45	16.5
30403170	-4	45	14.5
30403171	-6	45	12.5
30403172	-8	45	10.5
30403173	-10	45	8.5
30403174	-12	45	6.5
30403175	-14	45	4.5

### Nylon Cam



Item Number	CH (mm)	CL (mm)	H (mm)
30402004	0	35	18.5
30402011	0	25	18.5
30402005	6	35	24.5
30402008	4	45	22.5
30402013	-4	45	14.5