



Chipsmall Limited consists of a professional team with an average of over 10 year of expertise in the distribution of electronic components. Based in Hongkong, we have already established firm and mutual-benefit business relationships with customers from,Europe,America and south Asia,supplying obsolete and hard-to-find components to meet their specific needs.

With the principle of “Quality Parts,Customers Priority,Honest Operation,and Considerate Service”,our business mainly focus on the distribution of electronic components. Line cards we deal with include Microchip,ALPS,ROHM,Xilinx,Pulse,ON,Everlight and Freescale. Main products comprise IC,Modules,Potentiometer,IC Socket,Relay,Connector.Our parts cover such applications as commercial,industrial, and automotives areas.

We are looking forward to setting up business relationship with you and hope to provide you with the best service and solution. Let us make a better world for our industry!



Contact us

Tel: +86-755-8981 8866 Fax: +86-755-8427 6832

Email & Skype: info@chipsmall.com Web: www.chipsmall.com

Address: A1208, Overseas Decoration Building, #122 Zhenhua RD., Futian, Shenzhen, China





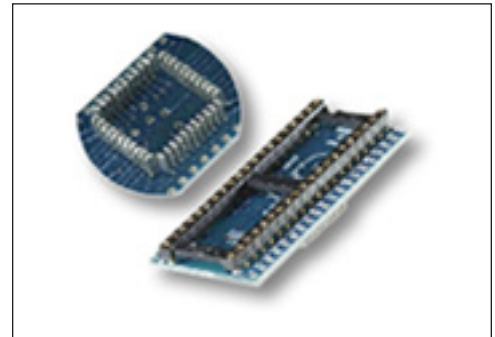
P/N 111163 40-Pin DIP-to-Socketable PLCC Adapter

FEATURES

- Can be used with Intel 80/83C652 and 80C251 microprocessors and any IC that follows standard DIP-to-PLCC pinout conventions.
- Allows user to switch package styles and avoid shortage problems.
- Designed to plug directly into your 44-pin PLCC socket.
- On-board bypass capacitors to reduce power/ground electrical noise.
- All DIP Pins brought out to the side of the adapter's plated-through holes to facilitate troubleshooting or debugging.

GENERAL SPECIFICATIONS

- PCB: natural UL 94V-0 FR-4, 0.062 [1.56] thick with 1-oz. Cu traces
- MALE PINS: Brass 360 1/2-hard per UNS C36000, ASTM B16/B16M
- MALE PIN PLATING: 200 μ [5.08 μ] Sn/Pb per ASTM B579-73 over 100 μ [2.54 μ] Ni per SAE AMS-QQ-N-290
- SOCKET MATERIAL: UL 94V-0 glass-filled 4/6 Nylon
- FEMALE PIN: Brass 360 1/2-hard per UNS C36000, ASTM B16/B16M
- FEMALE PIN PLATING: 10 μ [0.254 μ] Au per MIL-G-45204 over 100 μ [2.54 μ] Ni per SAE AMS-QQ-N-290
- 4-FINGER COLLET CONTACT: BeCu per UNS C17200, ASTM B194-08
- COLLET CONTACT PLATING: 10 μ [0.254 μ] Au per MIL-G-45204 over 50 μ [127 μ] Ni per SAE AMS-QQ-N-290
- OPERATING TEMPERATURE: 221°F [105°C]
- INSERTION FORCE: 180g/pin, based on a 0.018 [0.46] dia. test lead
- WITHDRAWAL FORCE: 90g/pin, based on a 0.018 [0.46] dia. test lead
- NORMAL FORCE: 140g/pin, based on a 0.018 [0.46] dia. test lead
- SOCKET ACCEPTS LEADS: 0.015-0.025 [0.38-0.64] dia., 0.100-0.125 [2.54-3.18] long



CUSTOMIZATION: In addition to the standard products shown on this page, Aries specializes in custom design and production. Special materials, platings, sizes, and configurations can be furnished, depending on the quantity. **NOTE:** Aries reserves the right to change product general specifications without notice.

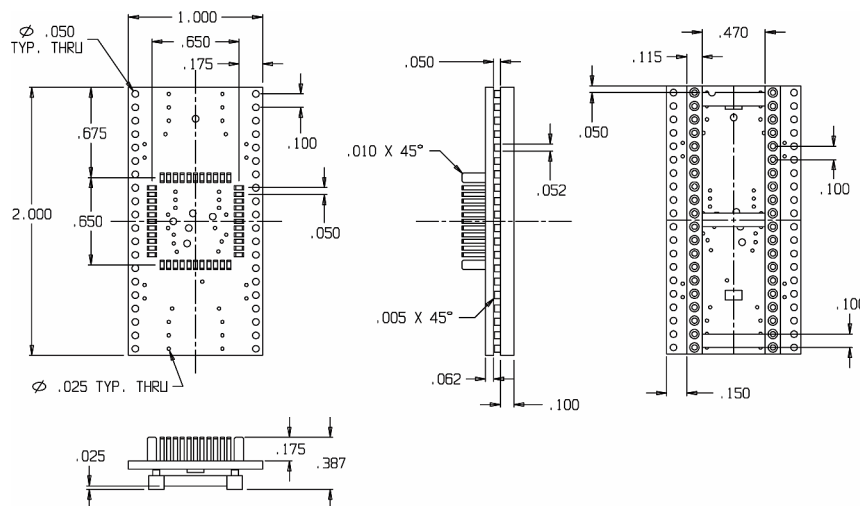
ORDERING INFORMATION

Specify P/N 111163

ALL DIMENSIONS: INCHES [MILLIMETERS]

ALL TOLERANCES: ± 0.005 [0.13] UNLESS OTHERWISE SPECIFIED

CONSULT [DATA SHEET 18027](#) FOR PLCC-TO-DIP ADAPTER WITH INTEL PROCESSORS.



Pin List			
PLCC Pin #	DIP Pin #	PLCC Pin #	DIP Pin #
1	20	23	--
2	1	24	21
3	2	25	22
4	3	26	23
5	4	27	24
6	5	28	25
7	6	29	26
8	7	30	27
9	8	31	28
10	9	32	29
11	10	33	30
12	--	34	--
13	11	35	31
14	12	36	32
15	13	37	33
16	14	38	34
17	15	39	35
18	16	40	36
19	17	41	37
20	18	42	38
21	19	43	39
22	20	44	40



ARIES
ELECTRONICS, INC.

Bristol, PA 19007-6810 USA
TEL (215) 781-9956 • FAX (215) 781-9845
WWW.ARIESELEC.COM • INFO@ARIESELEC.COM