



Chipsmall Limited consists of a professional team with an average of over 10 year of expertise in the distribution of electronic components. Based in Hongkong, we have already established firm and mutual-benefit business relationships with customers from,Europe,America and south Asia,supplying obsolete and hard-to-find components to meet their specific needs.

With the principle of “Quality Parts,Customers Priority,Honest Operation,and Considerate Service”,our business mainly focus on the distribution of electronic components. Line cards we deal with include Microchip,ALPS,ROHM,Xilinx,Pulse,ON,Everlight and Freescale. Main products comprise IC,Modules,Potentiometer,IC Socket,Relay,Connector.Our parts cover such applications as commercial,industrial, and automotives areas.

We are looking forward to setting up business relationship with you and hope to provide you with the best service and solution. Let us make a better world for our industry!



Contact us

Tel: +86-755-8981 8866 Fax: +86-755-8427 6832

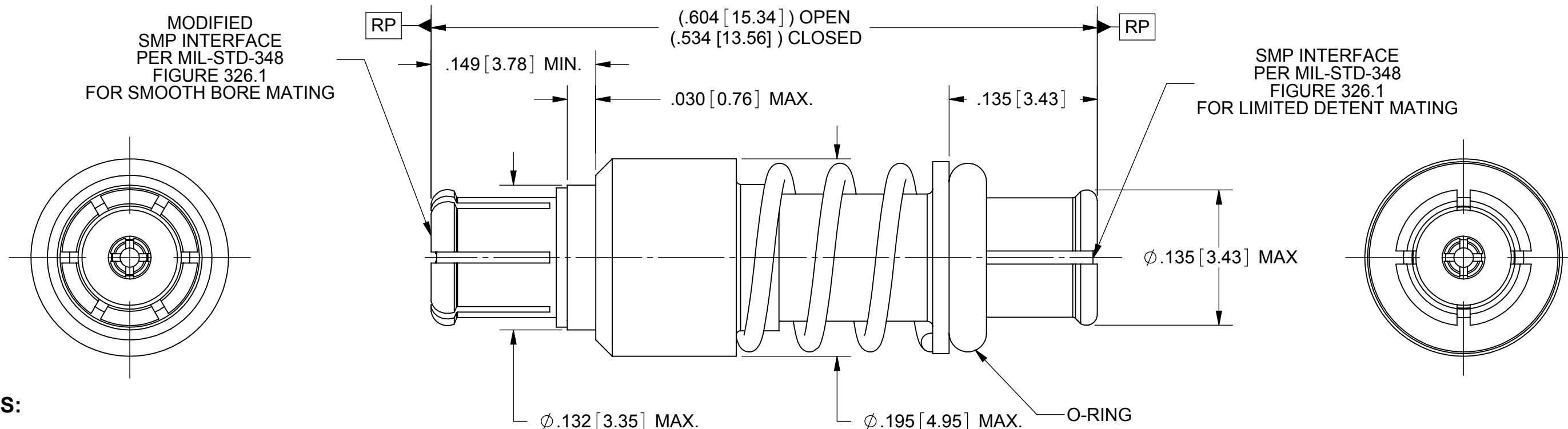
Email & Skype: info@chipsmall.com Web: www.chipsmall.com

Address: A1208, Overseas Decoration Building, #122 Zhenhua RD., Futian, Shenzhen, China



PRODUCT DATA DRAWING

REVISION HISTORY			
REV	DESCRIPTION	DATE	APPROVED
-	DCN 36469	02/09	JMC
A	DCN 39762	04/13	EFT
B	DCN 39763	04/13	EFT



MATERIALS:

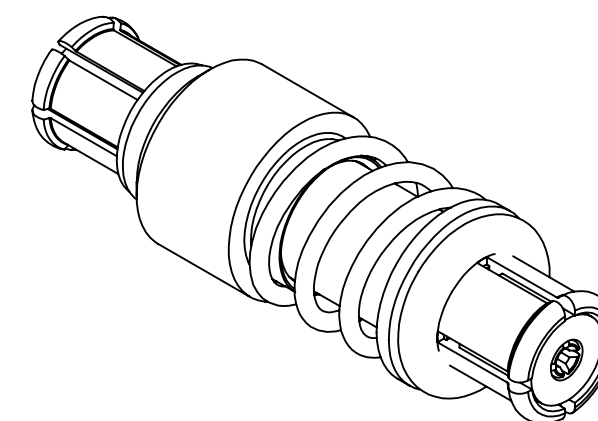
- BODY & CONTACT:** BERYLLIUM COPPER PER ASTM B196, ALLOY No. UNS C17300, TD04.
- INSULATORS:** PTFE PER ASTM D1710.
- SPRING:** STAINLESS STEEL PER AMS-5678, ALLOY S17700.
- O-RING:** SILICONE RUBBER PER A-A-59588, CLASS 2A, GRADE 70.

FINISHES:

- BODY & CONTACT:** GOLD PER ASTM B488, TYPE I GRADE C, CLASS 1.27, OVER ELECTRO-LESS NICKEL PER AMS-2404, CLASS 4, .00050" MINIMUM.
- SPRING:** PASSIVATED PER ASTM A967

PERFORMANCE:

- IMPEDANCE:** 50 ± 1 OHMS
- FREQ. RANGE:** DC - 40 GHz
- VSWR:**
 - 1.30:1, DC - 12 GHz
 - 1.40:1, 12 - 18 GHz
 - 1.60:1, 18 - 40 GHz
- INSERTION LOSS:**
 - 0.4 dB, DC - 12 GHz
 - 0.6 dB, 12 - 18 GHz
 - 0.8 dB, 18 - 40 GHz
- DWV:** 500 VRMS
- INSULATION RES.:** 5,000 MEGOHMS MIN
- WEIGHT:** 0.06 OUNCES MAX
- SPRING FORCE:** 4 LBS MAX AT FULL DEFLECTION, 2 LBS MIN PRELOAD.



MATERIAL: SEE NOTES	DIMENSIONS ARE IN INCHES TOLERANCES: FRACTIONAL: $\pm 1/64$ ANGULAR: X° $\pm 1'0''$ X°X' $\pm 15''$	UNLESS OTHERWISE SPECIFIED 1) ALL DIMENSIONS ARE IN INCHES (MILLIMETERS) 2) ALL DIMENSIONS ARE AFTER PLATING. 3) BREAK CORNERS & EDGES .005 R. MAX. 4) CHAM. 1ST & LAST THREADS. 5) SURFACE ROUGHNESS 63-MIL-STD-10. 6) DIA.'S ON COMMON CENTERS TO BE CONCENTRIC WITHIN .005 T.I.R. 7) REMOVE ALL BURRS	SV Microwave, Inc. 2400 Centrepark West Drive, Suite 100 West Palm Beach, FL 33409	
FINISH: SEE NOTES	DECIMAL: X $\pm .030$.XX $\pm .010$.XXX $\pm .005$		TITLE: SMP TELESCOPIC ADAPTOR	
SURFACE AREA: N/A	INTERPRET DIMENSIONS AND TOLERANCES PER ASME Y14.5M - 1994	THIRD ANGLE PROJECTION	DRAWN: PJS 02/13/09	SIZE: B
PROPRIETARY THE INFORMATION CONTAINED IN THIS DRAWING IS THE SOLE PROPERTY OF SV MICROWAVE, INC. ANY REPRODUCTION IN PART OR AS A WHOLE WITHOUT THE WRITTEN PERMISSION OF SV MICROWAVE, INC IS PROHIBITED.			CHECKED: JMC 02/13/09	CAGE CODE: 95077
			APPROVED: JMC 02/13/09	DWG. NO. 1112-4019
				SCALE: 10:1
				SHEET 1 OF 1