



Chipsmall Limited consists of a professional team with an average of over 10 year of expertise in the distribution of electronic components. Based in Hongkong, we have already established firm and mutual-benefit business relationships with customers from,Europe,America and south Asia,supplying obsolete and hard-to-find components to meet their specific needs.

With the principle of “Quality Parts,Customers Priority,Honest Operation,and Considerate Service”,our business mainly focus on the distribution of electronic components. Line cards we deal with include Microchip,ALPS,ROHM,Xilinx,Pulse,ON,Everlight and Freescale. Main products comprise IC,Modules,Potentiometer,IC Socket,Relay,Connector.Our parts cover such applications as commercial,industrial, and automotives areas.

We are looking forward to setting up business relationship with you and hope to provide you with the best service and solution. Let us make a better world for our industry!



## Contact us


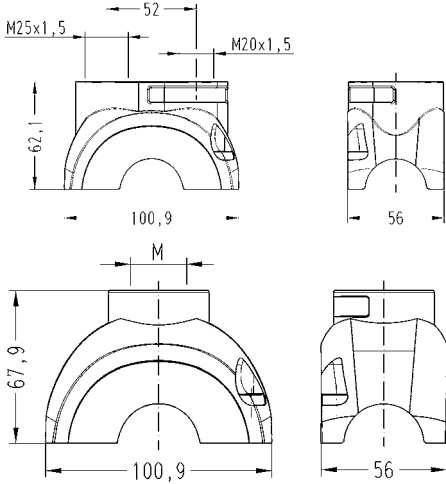

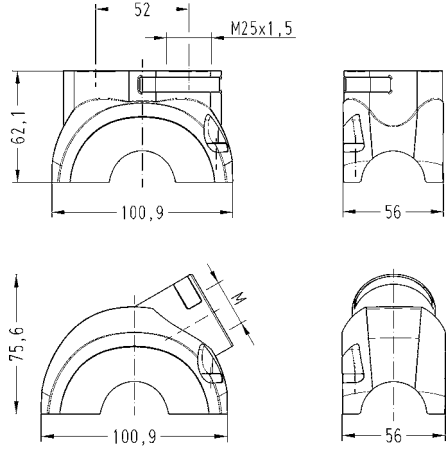

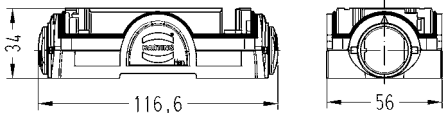
Tel: +86-755-8981 8866 Fax: +86-755-8427 6832

Email & Skype: info@chipsmall.com Web: www.chipsmall.com

Address: A1208, Overseas Decoration Building, #122 Zhenhua RD., Futian, Shenzhen, China



Metal hoods/housings for industrial applications

Identification	Cable entry	Part number	Drawing Dimensions in mm
<p>Han-Yellock®, Shell, top entry</p> 	<p>1xM20, 1xM25 1xM25 1xM32 1xM40 2xM25</p>	<p>11 12 600 1415 11 12 600 1401 11 12 600 1402 11 12 600 1403 11 12 600 1411</p>	
<p>Han-Yellock®, Shell, side entry</p> 	<p>1xM25 1xM32 1xM40</p>	<p>11 12 600 1501 11 12 600 1502 11 12 600 1503</p>	
<p>Han-Yellock®, Carrier hood, plain push button</p> 		<p>11 12 600 0100</p>	

Han-Yellock