



Chipsmall Limited consists of a professional team with an average of over 10 year of expertise in the distribution of electronic components. Based in Hongkong, we have already established firm and mutual-benefit business relationships with customers from,Europe,America and south Asia,supplying obsolete and hard-to-find components to meet their specific needs.

With the principle of “Quality Parts,Customers Priority,Honest Operation,and Considerate Service”,our business mainly focus on the distribution of electronic components. Line cards we deal with include Microchip,ALPS,ROHM,Xilinx,Pulse,ON,Everlight and Freescale. Main products comprise IC,Modules,Potentiometer,IC Socket,Relay,Connector.Our parts cover such applications as commercial,industrial, and automotives areas.

We are looking forward to setting up business relationship with you and hope to provide you with the best service and solution. Let us make a better world for our industry!



## Contact us

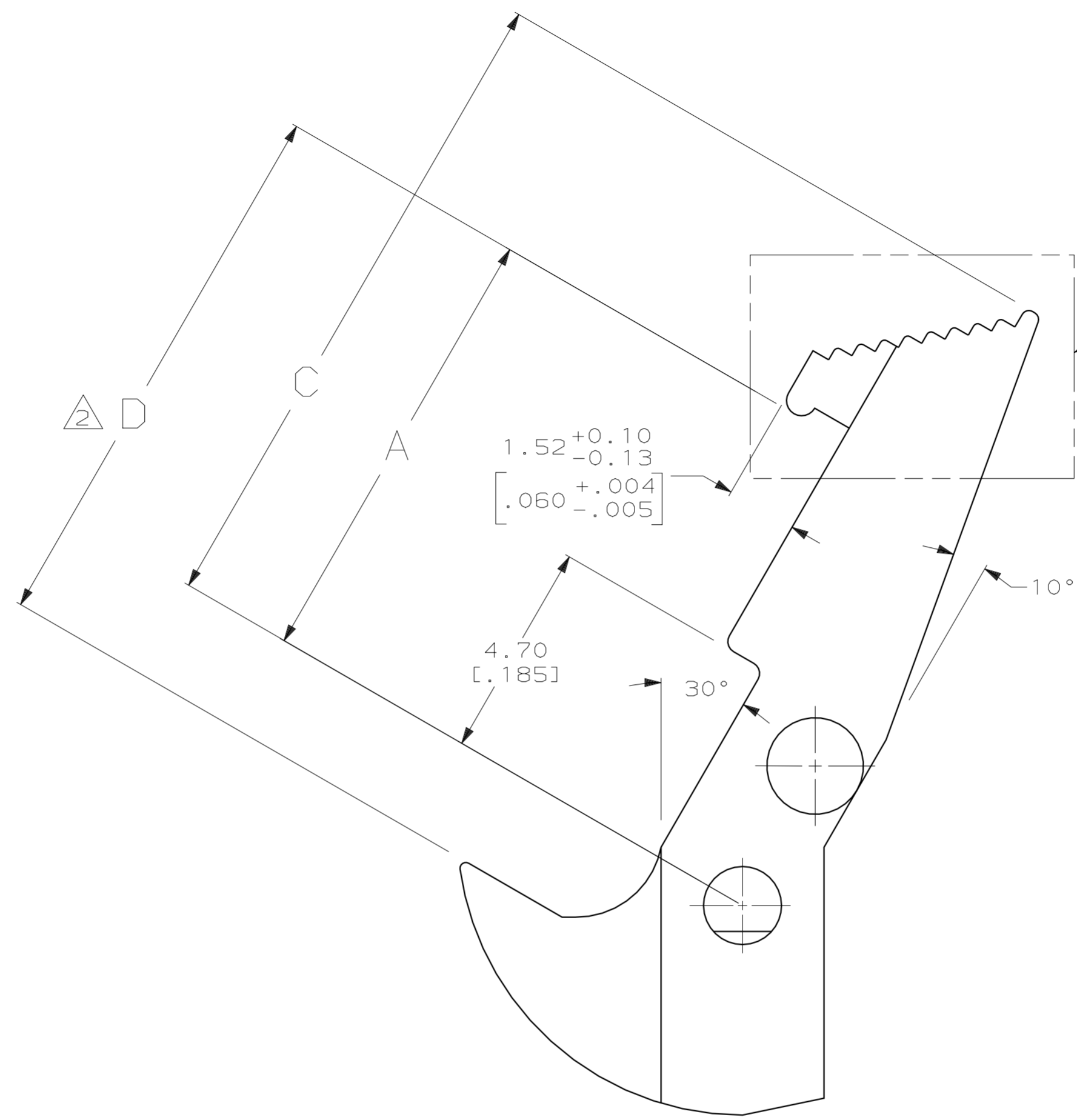
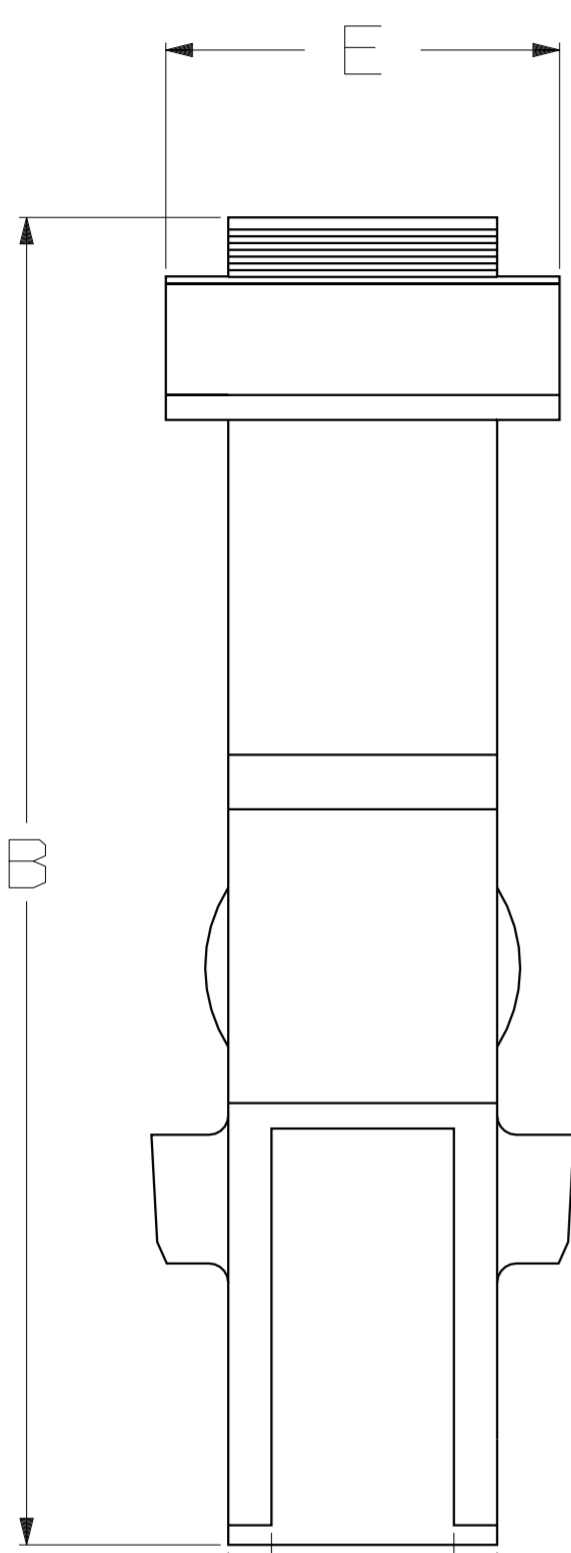
Tel: +86-755-8981 8866 Fax: +86-755-8427 6832

Email & Skype: info@chipsmall.com Web: www.chipsmall.com

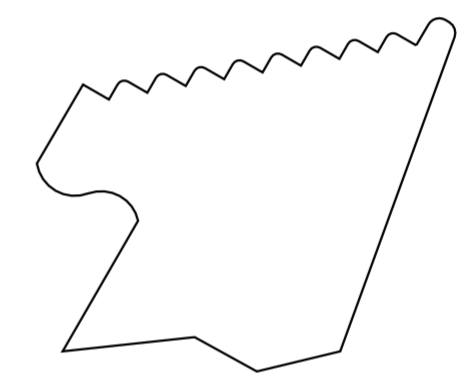
Address: A1208, Overseas Decoration Building, #122 Zhenhua RD., Futian, Shenzhen, China



LOC	DIST	P	F	ZONE	LTR	REVISIONS	DATE	APPD	
GP	00					B2	REVISIED PER ECO 06-004646	08MAR06	JG



SEE DETAIL F  
HANDLE AREA  
SEE TABLE



DETAIL F  
HANDLE AREA

2.41  
[.095]  
3.556 +0.064  
-0.102  
[.1400 +.0025  
-.0040]

OBSELETE	④	AS SHOWN	5.21 [.205]	10.57 [.416]	13.56 [.534]	16.31 [.642]	8.38 [.330]	①	111293-3
	③	PER DETAIL F	3.56 [.140] REF	12.04 [.474]	14.53 [.572]	17.14 [.675]	9.86 [.388]		111293-2
	③	AS SHOWN	5.21 [.205]	10.57 [.416]	13.56 [.534]	16.31 [.642]	8.38 [.330]		111293-1
		MATERIAL	HANDLE AREA	E	D	C	B	A	PART NO

- ① TO BE USED WITH AMP-LATCH™ CONNECTOR WITH STANDARD COVER.
- ② MATING RECEPTACLE HEIGHT.
- ③ FLAME RETARDANT PCT, UL94V-0 RATED, COLOR RED.
- ④ FLAME RETARDANT PCT, UL94V-0 RATED, COLOR BLACK.

DO NOT SCALE PRINT.  
UNLESS SPECIFIED  
DIMENSIONS IN mm [INCHES]  
TOLERANCES ON:  
2 PLC DEC ± 0.13 [.005]  
3 PLC DEC ± -  
ANGLES ± 1°  
MATERIAL  
SEE TABLE  
FINISH  
-

DR 10-1-92  
H MOLL  
CHK 10-2-92  
R STONE  
APPD 10-5-92  
R KILE  
APPD 10-6-92  
D HOFFMAN  
PRODUCT SPEC  
-  
APPLICATION SPEC  
-  
WEIGHT  
-

<b>AMP</b> AMP Incorporated Harrisburg, PA 17105-3608		
NAME LATCH, USED IN AMP-LATCH UNIVERSAL HEADER		
SIZE C	CAGE CODE 00779	DRAWING NO C-111293
SCALE 10:1	SHEET 1 OF 1	

THIS DRAWING IS A CONTROLLED DOCUMENT FOR AMP INCORPORATED. IT IS SUBJECT TO CHANGE AND THE CONTROLLING ENGINEERING ORGANIZATION SHOULD BE CONTACTED FOR THE LATEST REVISION.