



Chipsmall Limited consists of a professional team with an average of over 10 year of expertise in the distribution of electronic components. Based in Hongkong, we have already established firm and mutual-benefit business relationships with customers from,Europe,America and south Asia,supplying obsolete and hard-to-find components to meet their specific needs.

With the principle of “Quality Parts,Customers Priority,Honest Operation,and Considerate Service”,our business mainly focus on the distribution of electronic components. Line cards we deal with include Microchip,ALPS,ROHM,Xilinx,Pulse,ON,Everlight and Freescale. Main products comprise IC,Modules,Potentiometer,IC Socket,Relay,Connector.Our parts cover such applications as commercial,industrial, and automotives areas.

We are looking forward to setting up business relationship with you and hope to provide you with the best service and solution. Let us make a better world for our industry!



Contact us

Tel: +86-755-8981 8866 Fax: +86-755-8427 6832

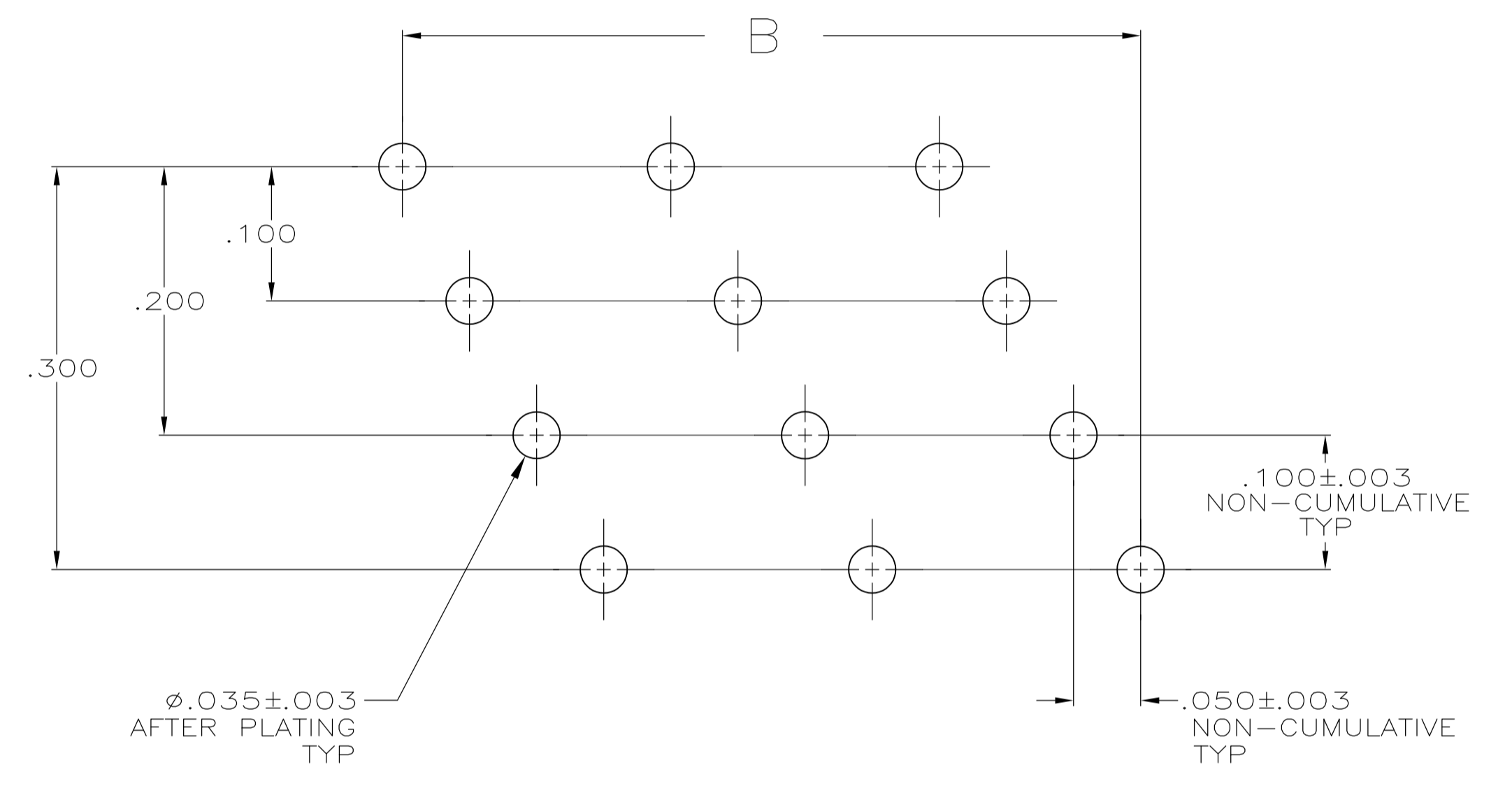
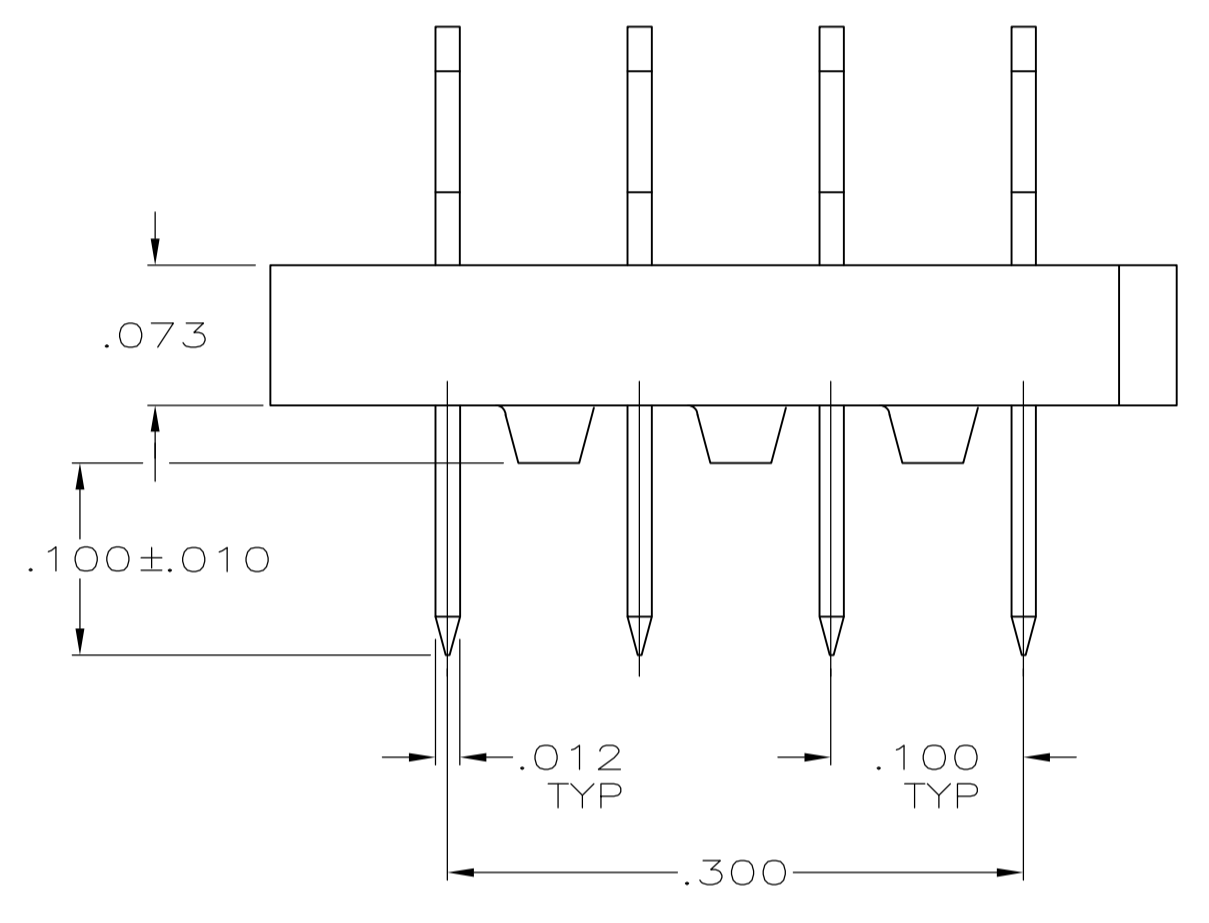
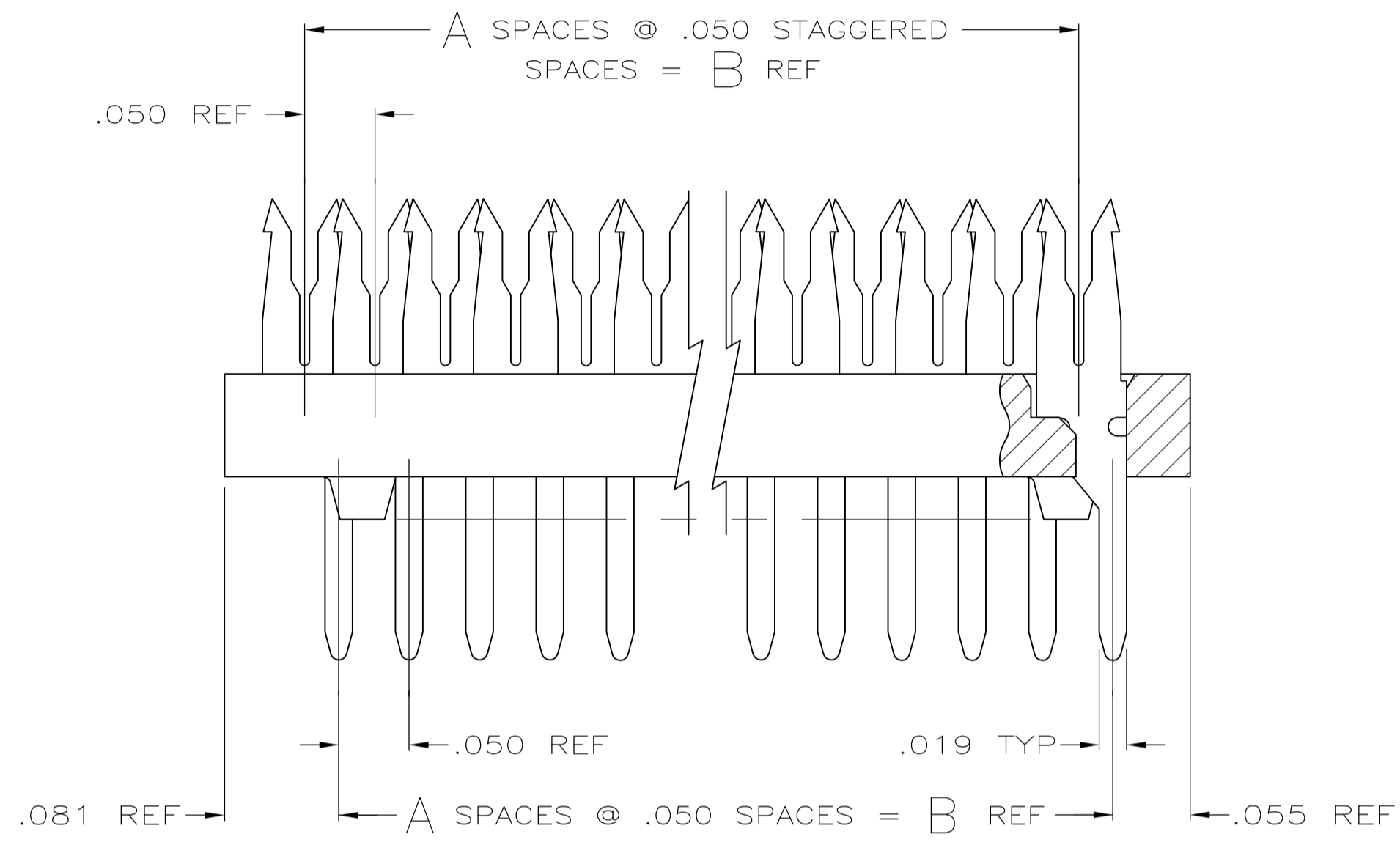
Email & Skype: info@chipsmall.com Web: www.chipsmall.com

Address: A1208, Overseas Decoration Building, #122 Zhenhua RD., Futian, Shenzhen, China

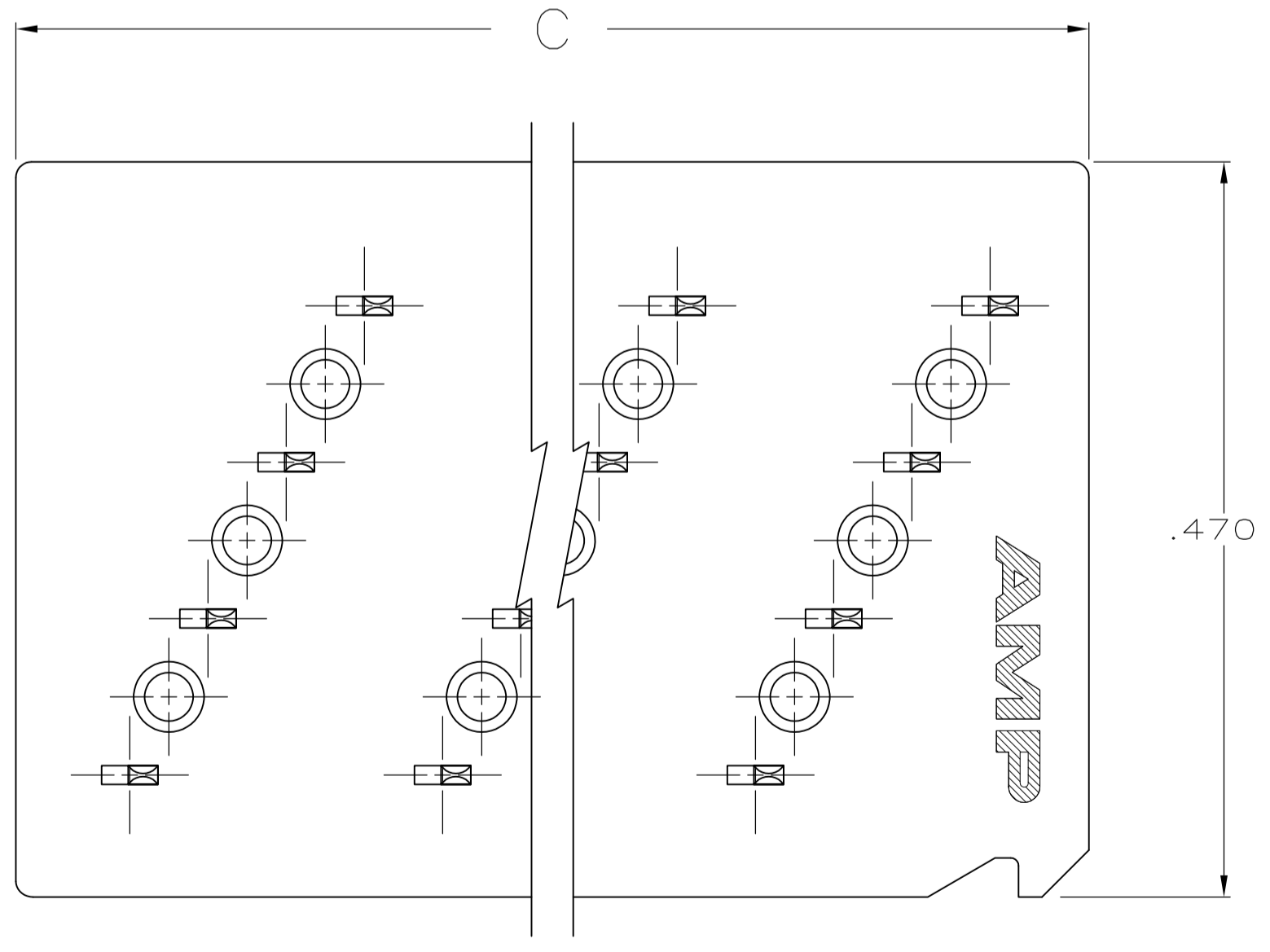


- ALL PARTS ASSEMBLED BY TYCO ELECTRONICS CORP.
- STANDOFFS: POSN 12 (9) STANDOFFS AS SHOWN.
 POSN 16 (12) STANDOFFS, 3 PER DIAGONAL ROW.
 POSN 20 (15) STANDOFFS, 3 PER DIAGONAL ROW.
 POSN 24 (18) STANDOFFS, 3 PER DIAGONAL ROW.
 POSN 28 (21) STANDOFFS, 3 PER DIAGONAL ROW.
 POSN 32 (24) STANDOFFS, 3 PER DIAGONAL ROW.
 POSN 36 (27) STANDOFFS, 3 PER DIAGONAL ROW.
 POSN 40 (30) STANDOFFS, 3 PER DIAGONAL ROW.
 POSN 44 (33) STANDOFFS, 3 PER DIAGONAL ROW.
 POSN 48 (36) STANDOFFS, 3 PER DIAGONAL ROW.
 POSN 52 (39) STANDOFFS, 3 PER DIAGONAL ROW.
 POSN 56 (42) STANDOFFS, 3 PER DIAGONAL ROW.
 POSN 60 (45) STANDOFFS, 3 PER DIAGONAL ROW.

- FLAME RETARDANT, 94 V-0 RATED, GLASS FILLED, NYLON OR POLYESTER, COLOR: BLACK.
- FINISH: BRIGHT TIN-LEAD .000100-.000200 THK OVER NICKEL .000050 MIN THK.
- FINISH: BRIGHT TIN .000100-.000200 THK OVER NICKEL .000050 MIN THK.



RECOMMENDED HOLE LAYOUT



△	3.086	2.950	59	60	6-111356-3	
△	2.086	1.950	39	40	5-111356-8	
△	1.286	1.150	23	24	5-111356-4	
△	1.086	.950	19	20	5-111356-3	
△	.886	.750	15	16	5-111356-2	
△	3.086	2.950	59	60	1-111356-3	
OBSOLETE	△	2.886	2.750	55	56	1- -2
OBSOLETE	△	2.686	2.550	51	52	1- -1
OBSOLETE	△	2.486	2.350	47	48	1- -0
OBSOLETE	△	2.286	2.150	43	44	-9
	△	2.086	1.950	39	40	-8
OBSOLETE	△	1.886	1.750	35	36	-7
OBSOLETE	△	1.686	1.550	31	32	-6
OBSOLETE	△	1.486	1.350	27	28	-5
	△	1.286	1.150	23	24	-4
	△	1.086	.950	19	20	-3
	△	.886	.750	15	16	-2
OBSOLETE	△	.686	.550	11	12	111356-1
	FINISH	C	B	A	NO OF POSN	PART NUMBER

THIS DRAWING IS A CONTROLLED DOCUMENT.

DIMENSIONS: INCHES

TOLERANCES UNLESS OTHERWISE SPECIFIED:

0. PLC	± .005
1. PLC	± .005
2. PLC	± .005
3. PLC	± .005
4. PLC	± .005
ANGLES	± .030°

MATERIAL: MOLDED PARTS - △

CONTACTS: PH BRZ PER QQ-B-750

FINISH: CONTACTS △

DW: S. WELDON 23-FEB-86

CHK: W. LENKER 23-FEB-86

APVD: M. VISSELLI 24-FEB-86

NAME: ASSEMBLY, PADDLEBOARD, FULL ROW .100 LONG POSTS, FULL TIN PLATED CONTACTS AMP-LATCH

SIZE: A1

WEIGHT: 1.00779

CAGE CODE: 111356

DRAWING NO: 111356

RESTRICTED TO: -

CUSTOMER DRAWING

SCALE: 10:1

SHEET: 1 OF 1

REV: H