



Chipsmall Limited consists of a professional team with an average of over 10 year of expertise in the distribution of electronic components. Based in Hongkong, we have already established firm and mutual-benefit business relationships with customers from,Europe,America and south Asia,supplying obsolete and hard-to-find components to meet their specific needs.

With the principle of “Quality Parts,Customers Priority,Honest Operation,and Considerate Service”,our business mainly focus on the distribution of electronic components. Line cards we deal with include Microchip,ALPS,ROHM,Xilinx,Pulse,ON,Everlight and Freescale. Main products comprise IC,Modules,Potentiometer,IC Socket,Relay,Connector.Our parts cover such applications as commercial,industrial, and automotives areas.

We are looking forward to setting up business relationship with you and hope to provide you with the best service and solution. Let us make a better world for our industry!



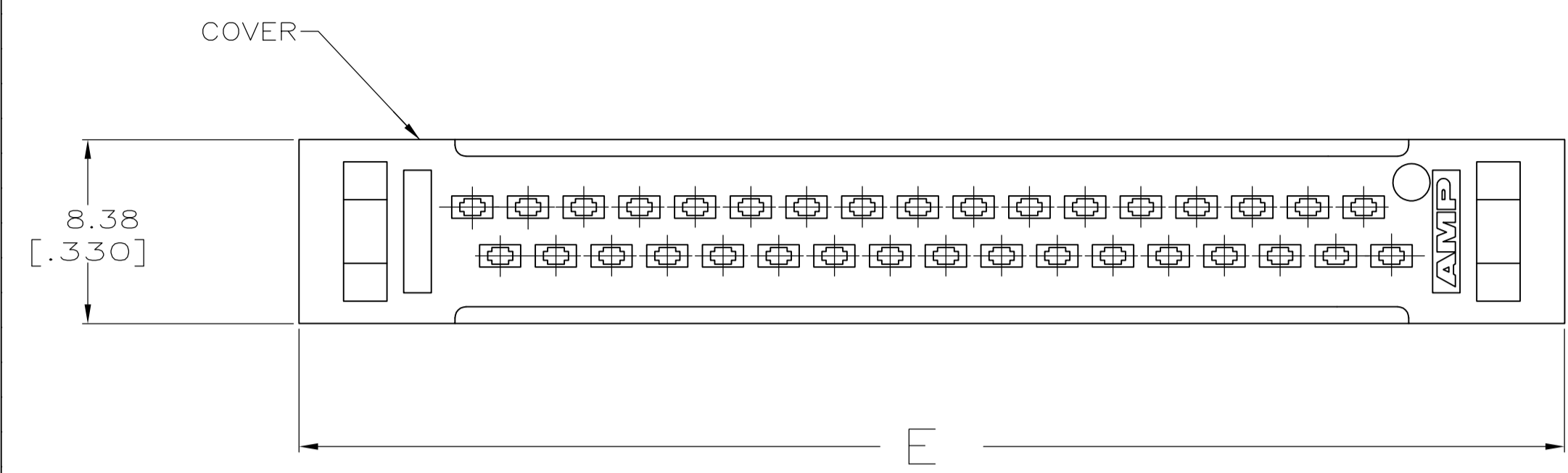
## Contact us

Tel: +86-755-8981 8866 Fax: +86-755-8427 6832

Email & Skype: info@chipsmall.com Web: www.chipsmall.com

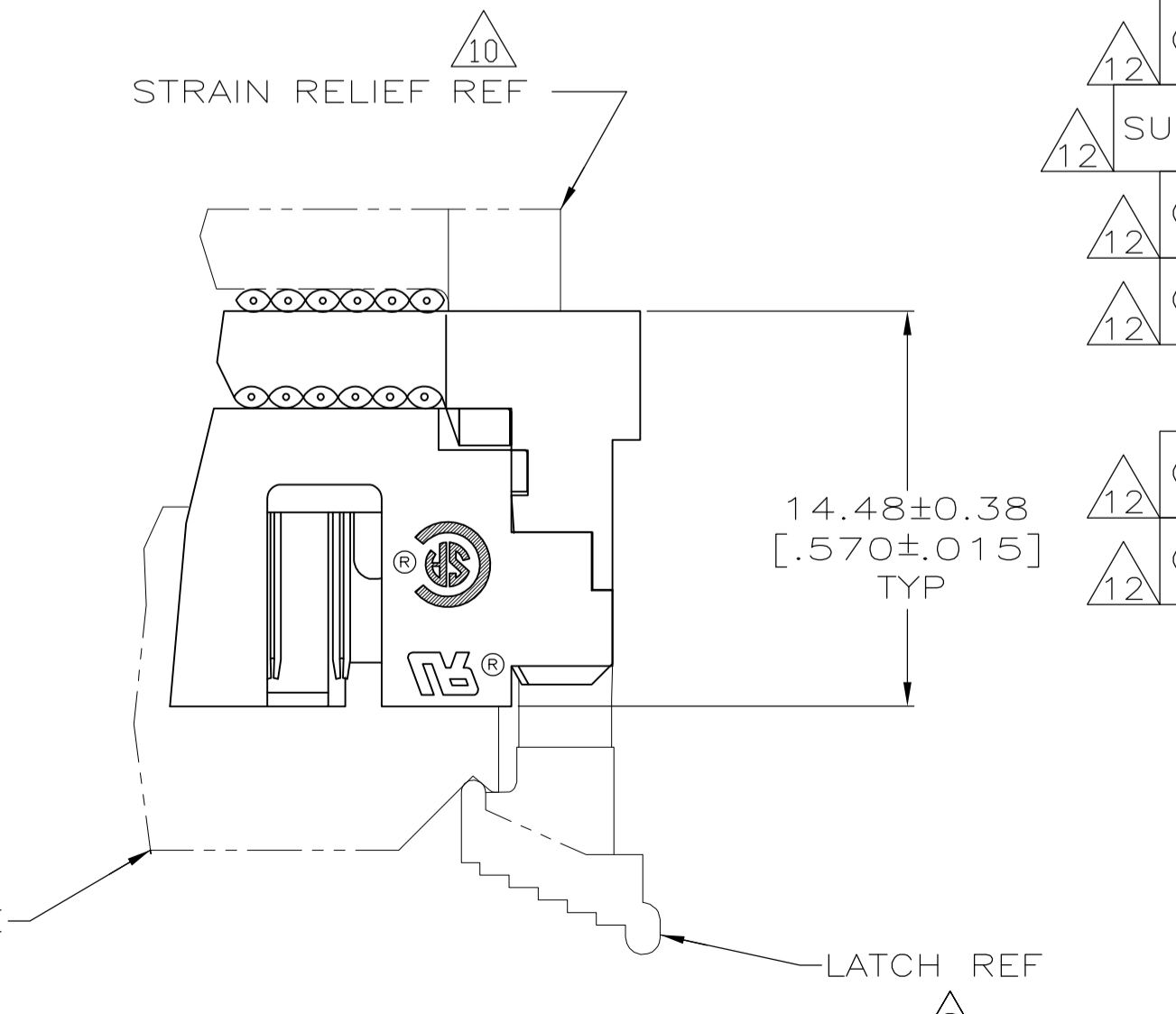
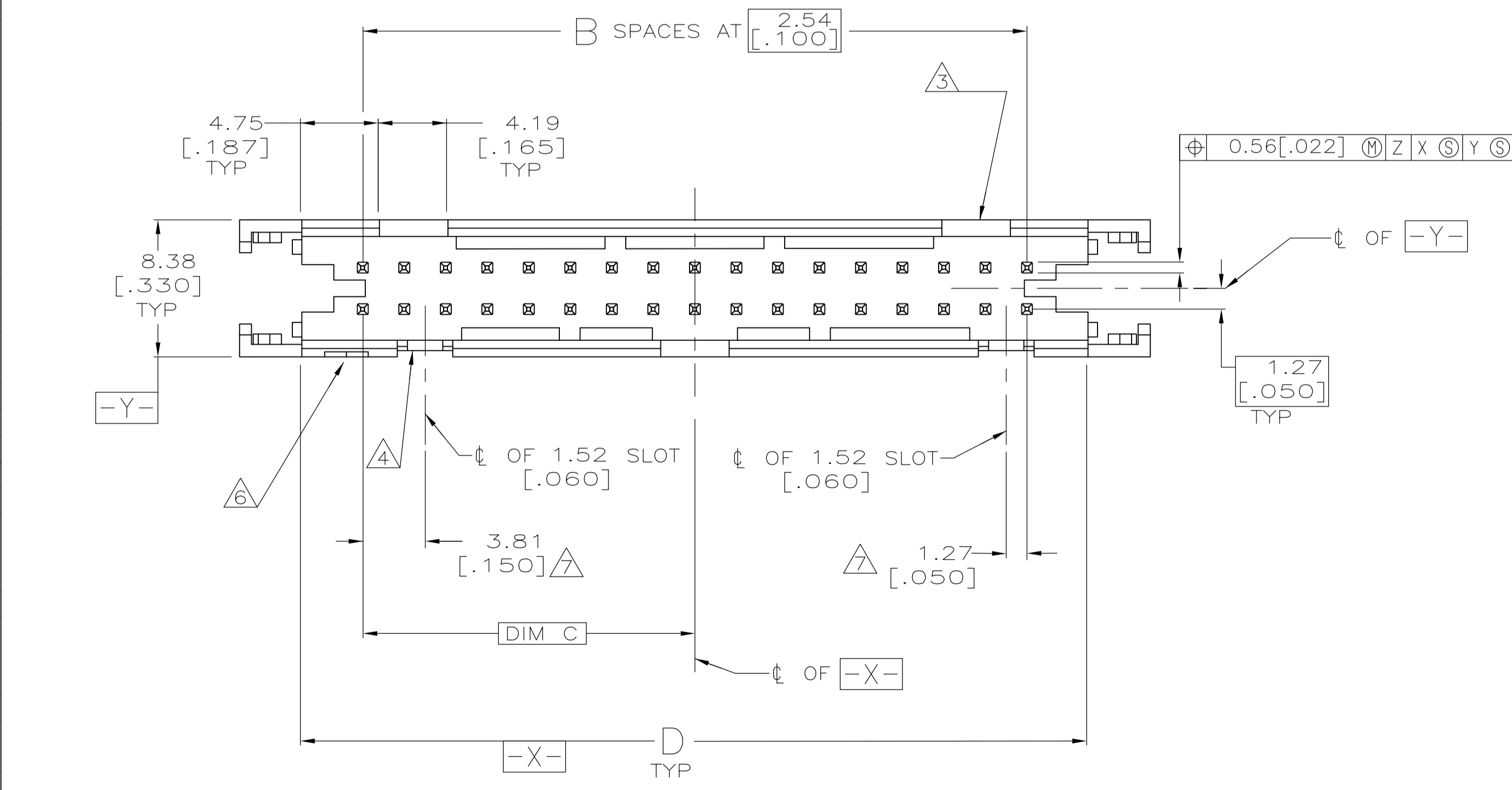
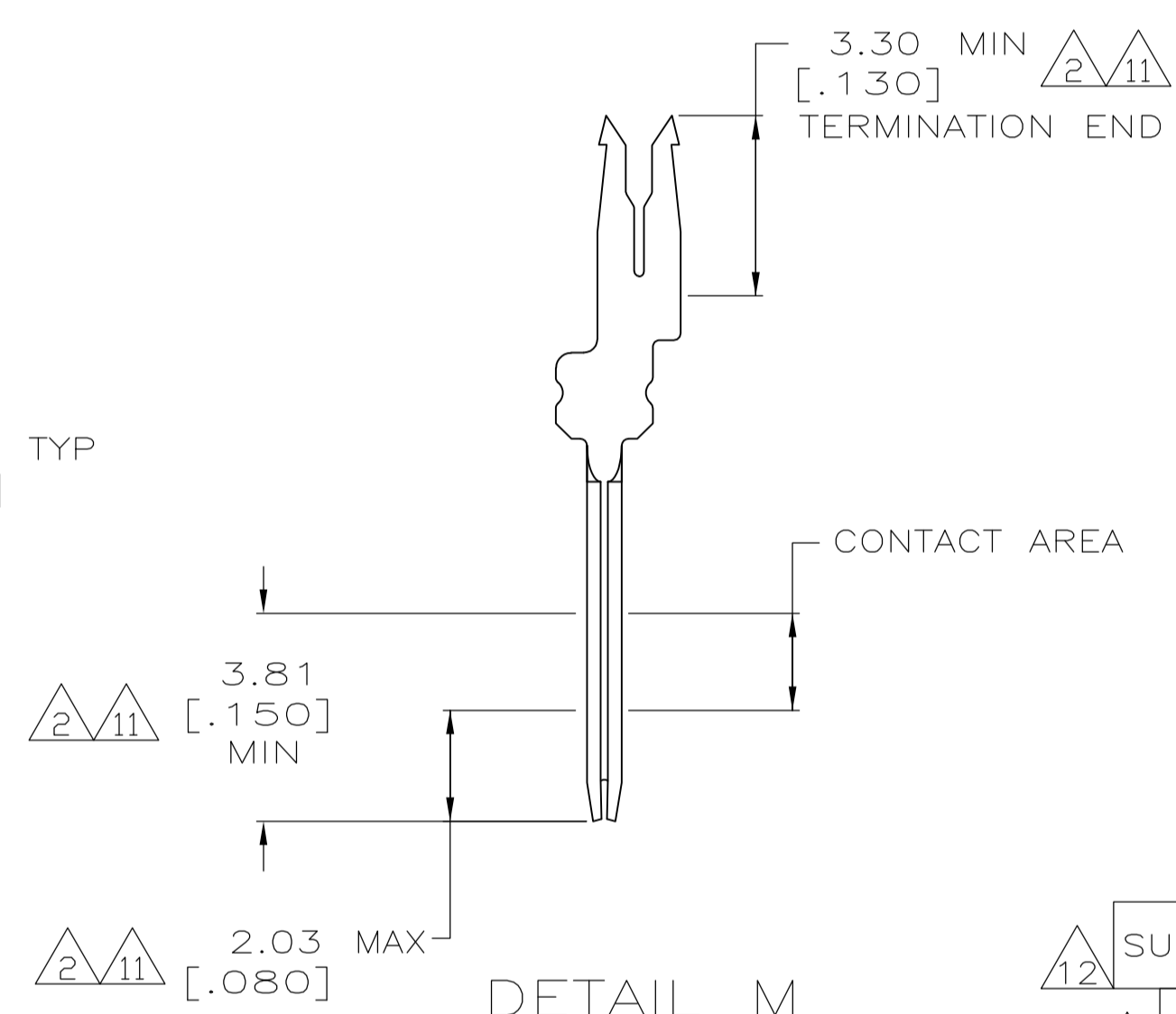
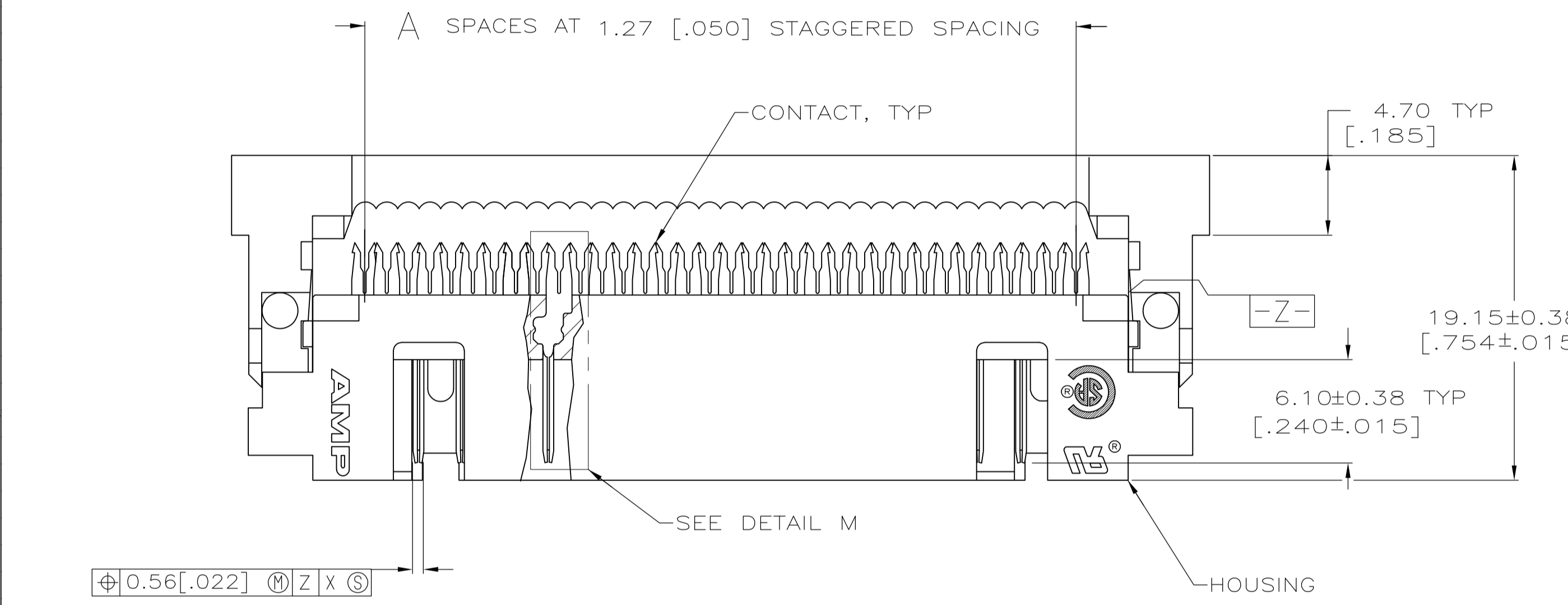
Address: A1208, Overseas Decoration Building, #122 Zhenhua RD., Futian, Shenzhen, China





- 1 FLAME RETARDANT 94V-0 RATED THERMOPLASTIC; BLACK.
- 2 2.54µm [.000100] MIN MATTE TIN-LEAD ON TERMINATION END, 0.76µm [.000030] MIN GOLD ON CONTACT AREA, ALL OVER 1.27µm [.000050] MIN NICKEL.  
-OR-  
GOLD FLASH OVER PALLADIUM-NICKEL 0.76µm [.000030] TOTAL ON CONTACT AREA, 2.54µm [.000100] MIN BRIGHT TIN-LEAD ON TERMINATION END, ALL OVER 1.27µm [.000050] MIN NICKEL.
- 3 NO SLOT ON THIS END FOR TEN POSITION HOUSINGS.
- 4 NO SLOT FOR SNAP-IN POLARIZER ON THIS END FOR 10 AND 14 POSITION HOUSINGS.
- 5. FOR MILITARY POLARIZATION, ORDER SNAP-IN POLARIZER 499991-2 (BULK PACK OF 50).
- 6 POSITION NO 1 INDICATOR.
- 7 COORDINATE DIMENSION APPLIES FROM CENTER OF ACTUAL FEATURE.
- 8 FOR LATCHES ORDER 111451, 2 PER ASSEMBLY.
- 9 PHOSPHOR BRONZE PER QQ-B-750.

- 10 STRAIN RELIEF 111547 MUST BE ORDERED SEPARATELY.
- 11 2.54µm [.000100] MIN MATTE TIN ON TERMINATION END, 0.76µm [.000030] MIN GOLD ON CONTACT AREA, ALL OVER 1.27µm [.000050] MIN NICKEL.  
-OR-  
GOLD FLASH OVER PALLADIUM-NICKEL 0.76µm [.000030] TOTAL ON CONTACT AREA, 2.54µm [.000100] MIN MATTE TIN ON TERMINATION END, ALL OVER 1.27µm [.000050] MIN NICKEL.
- 12 OBSOLETE PARTS: OBSOLETE CIS STREAMLINING PER D. RENAUD/D. SINISI.



REV	DESCRIPTION	DATE	BY	APPV		
11	95.81 [3.772] 86.21 [3.394] 39.37 [1.550]	31	63	64	2-111446-6	
11	89.59 [3.527] 81.13 [3.194] 36.83 [1.450]	29	59	60	2-111446-5	
11	70.41 [2.772] 60.81 [2.394] 26.67 [1.050]	21	43	44	2-111446-4	
11	65.33 [2.572] 55.73 [2.194] 24.13 [0.950]	19	39	40	2-111446-3	
11	57.71 [2.272] 48.11 [1.894] 20.32 [0.800]	16	33	34	2-111446-2	
11	52.63 [2.072] 43.03 [1.694] 17.78 [0.700]	14	29	30	2-111446-1	
11	47.55 [1.872] 37.95 [1.494] 15.24 [0.600]	12	25	26	2-111446-0	
11	45.01 [1.772] 35.41 [1.394] 13.97 [0.550]	11	23	24	1-111446-9	
11	39.93 [1.572] 30.33 [1.194] 11.43 [0.450]	9	19	20	1-111446-8	
11	78.03 [3.072] 68.43 [2.694] 30.48 [1.200]	24	49	50	1-111446-7	
11	34.85 [1.372] 25.25 [0.994] 8.89 [0.350]	7	15	16	1-111446-6	
11	32.31 [1.272] 22.71 [0.894] 7.62 [0.300]	6	13	14	1-111446-5	
11	27.230 [1.072] 17.63 [0.694] 5.08 [0.200]	4	9	10	1-111446-4	
12	SUPERCEDED	95.81 [3.772] 86.21 [3.394] 39.37 [1.550]	31	63	64	1-111446-3
12	OBSOLETE	89.59 [3.527] 81.13 [3.194] 36.83 [1.450]	29	59	60	1-111446-2
12	OBSOLETE	78.03 [3.072] 68.43 [2.694] 30.48 [1.200]	24	49	50	1-111446-1
12	OBSOLETE	70.41 [2.772] 60.81 [2.394] 26.67 [1.050]	21	43	44	1-111446-0
12	OBSOLETE	65.33 [2.572] 55.73 [2.194] 24.13 [0.950]	19	39	40	111446-9
12	OBSOLETE	57.71 [2.272] 48.11 [1.894] 20.32 [0.800]	16	33	34	111446-8
12	SUPERCEDED	52.63 [2.072] 43.03 [1.694] 17.78 [0.700]	14	29	30	111446-7
12	OBSOLETE	47.55 [1.872] 37.95 [1.494] 15.24 [0.600]	12	25	26	111446-6
12	OBSOLETE	45.01 [1.772] 35.41 [1.394] 13.97 [0.550]	11	23	24	111446-5
12	OBSOLETE	39.93 [1.572] 30.33 [1.194] 11.43 [0.450]	9	19	20	111446-4
12	OBSOLETE	34.85 [1.372] 25.25 [0.994] 8.89 [0.350]	7	15	16	111446-3
12	OBSOLETE	32.31 [1.272] 22.71 [0.894] 7.62 [0.300]	6	13	14	111446-2
12	OBSOLETE	27.230 [1.072] 17.63 [0.694] 5.08 [0.200]	4	9	10	111446-1

COVER NOT SHOWN IN THIS VIEW FOR CLARITY

MATING RECEPTACLE REF LATCH REF

TERMINATED ASSEMBLY (ASSEMBLED BY CUSTOMER)

CONTACT FINISH	E	D	C	B	A	NO OF POSN	PART NUMBER

THIS DRAWING IS A CONTROLLED DOCUMENT.		DIN H MOLL 7-11-90	TE Connectivity
DIMENSIONS: mm [INCHES]		8-1-90	
TOLERANCES UNLESS OTHERWISE SPECIFIED:		F.M. HEINRY	NAME: D. HOFFMAN PRODUCT SPEC: 108-1336 APPLICATION SPEC: 114-7011
0 PLC ± -		8-3-90	
1 PLC ± ± 0.13[.005]			UNIV I/O PIN CONN, WITHOUT MOUNTING EARS, AMP-LATCH™
2 PLC ± ± 0.13[.005]			SIZE: A1
3 PLC ± ± 0.13[.005]			CAGE CODE: 00779
4 PLC ± ± 0.13[.005]			DRAWING NO: 111446
ANGLES ± ± -			RESTRICTED TO: -
MATERIAL: 1 9			WEIGHT: -
FINISH: CONTACTS: SEE TABLE			SCALE: 4:1
			SHEET 1 OF 1
			REV R