



Chipsmall Limited consists of a professional team with an average of over 10 year of expertise in the distribution of electronic components. Based in Hongkong, we have already established firm and mutual-benefit business relationships with customers from,Europe,America and south Asia,supplying obsolete and hard-to-find components to meet their specific needs.

With the principle of “Quality Parts,Customers Priority,Honest Operation,and Considerate Service”,our business mainly focus on the distribution of electronic components. Line cards we deal with include Microchip,ALPS,ROHM,Xilinx,Pulse,ON,Everlight and Freescale. Main products comprise IC,Modules,Potentiometer,IC Socket,Relay,Connector.Our parts cover such applications as commercial,industrial, and automotives areas.

We are looking forward to setting up business relationship with you and hope to provide you with the best service and solution. Let us make a better world for our industry!



Contact us

Tel: +86-755-8981 8866 Fax: +86-755-8427 6832

Email & Skype: info@chipsmall.com Web: www.chipsmall.com

Address: A1208, Overseas Decoration Building, #122 Zhenhua RD., Futian, Shenzhen, China



| REVISIONS | | | | | |
|-----------|------|-----------------|---------|----|----------|
| ECN | REV. | DESCRIPTION | DATE | BY | APPROVED |
| 1126 | A | INITIAL RELEASE | 1/17/18 | AS | OL |

NOTES:

1. I_v = TYPICAL LUMINOUS INTENSITY @ $I_f = 20\text{mA}$ ($T_a = 25^\circ\text{C}$). (*4) = 4 LEDs PER PACKAGE; (82) = 2 LEDs PER PACKAGE.
2. SEE VOLTAGE / CURRENT TABLE FOR DESIGN SPECIFICATIONS.
3. $T_a = 25^\circ\text{C}$. VOLTAGES 6 THROUGH 60 ARE VDC. FOR AC OPERATION, INSERT D AFTER VOLTAGE (e.g. 24AC), NOT REQUIRED FOR 120V. FOR 120 VDC, INSERT DC AFTER VOLTAGE (e.g. 120DC).
4. USE APPROPRIATE ESD PRECAUTIONS DURING HANDLING AND OPERATION.
5. MOUNTING HARDWARE PROVIDED
6. THIS DEVICES ARE RoHS COMPLIANT.

CONFIGURATION FOR MODELS

| MODEL | WIRES |
|-------|--------------|
| 1116 | W (OPTIONAL) |

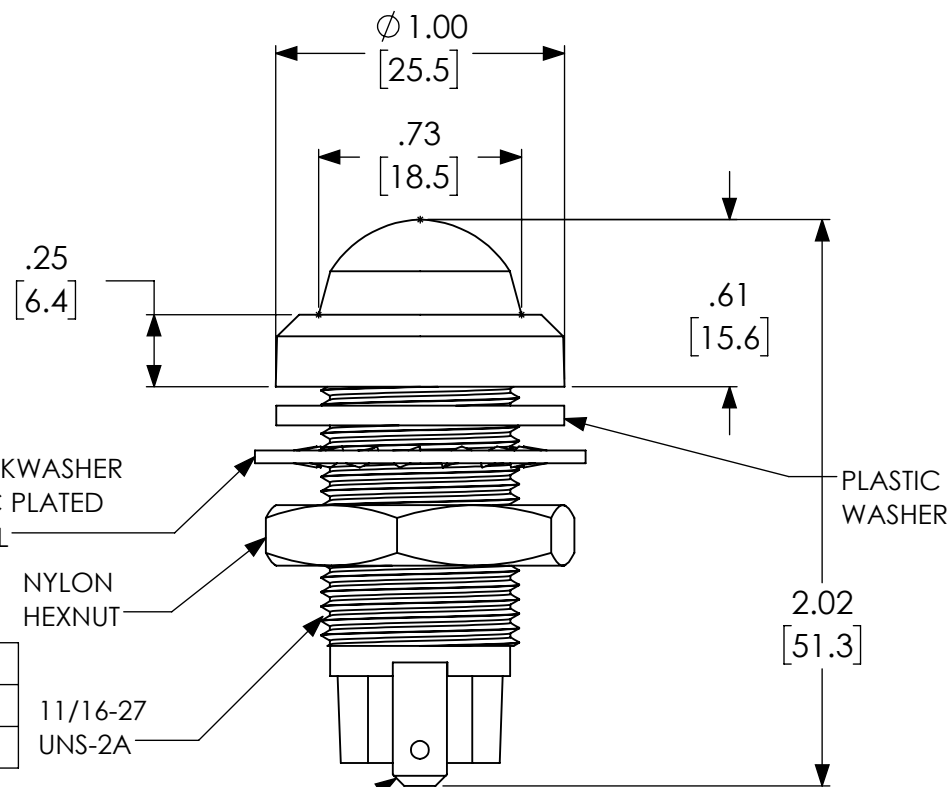
1116 W

| HIGH INTENSITY - WATERCLEAR ENCAPSULATION | | |
|---|-------|-------------|
| LED | COLOR | V/C (TABLE) |
| -R | RED | |
| -O | ORG | |
| -A | AMB | |
| -G | GRN | |
| -B | BLU | |
| -W | CWHT | |
| -L | WWHT | |

| WIRE LENGTH (OPTIONAL)* | |
|-------------------------|-------------|
| NUMBER | LENGTH (in) |
| 8 | 8" |
| 12 | 12" |
| 16 | 16" |
| 18 | 18" |
| 24 | 24" |
| 36 | 36" |
| 40 | 40" |
| 60 | 60" |

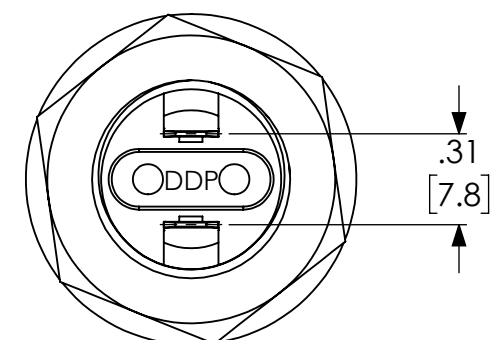
| VOLTAGE |
|---------|
| 5 |
| 6 |
| 12 |
| 15 |
| 24 |
| 28 |
| 48 |
| 60 |
| 120 |

| LENS |
|------|
| -CW |
| -NW |



| VOLTAGE/CURRENT | |
|--------------------|---------------|
| DESIGN V_f/I_f | MAX V_f/I_f |
| V/C Table I | |
| 5V/75mA | 5.5v/85mA |
| 6V/40mA | 7V/60mA |
| 12V/30mA | 14V/40mA |
| 15V/30mA | 16.5V/35mA |
| 24V/30mA | 26V/35mA |
| 28V/25mA | 30V/28mA |
| 48V/20mA | 52V/22mA |
| 60V/16mA | 65V/18mA |
| 120VAC/9.5mA | 130VAC/10.5mA |

| VOLTAGE / CURRENT | |
|---------------------|---------------|
| DESIGN V_f/I_f | MAX V_f/I_f |
| V/C Table II | |
| 5V/26mA | 5.5v/35mA |
| 6V/28mA | 7V/39mA |
| 12V/15mA | 14V/22mA |
| 15V/15mA | 16.5V/19mA |
| 24V/15mA | 26V/18mA |
| 28V/15mA | 30V/18mA |
| 48V/9mA | 50V/9.5mA |
| 60V/6.5mA | 65V/7.2mA |
| 120VAC/5mA | 130VAC/5.5mA |



***STANDARD WIRE LENGTH:**

IF THE CONFIGURATION DOES NOT INCLUDE A NUMBER AFTER THE "W" USE THIS STANDARD:
 6.0" +1.0" -0" TOTAL LENGTH (NOMINAL)/.50" STRIPPED +1/8" -0",
 RED ANODE/ BLACK CATHODE, 18 AWG UL1015 INSULATION.



ISOMETRIC VIEWS ONLY FOR REF.

The information in this document is the exclusive **PROPRIETARY** property of **VISUAL COMMUNICATIONS COMPANY, LLC**. It is disclosed with the understanding that acceptance or review by the recipient constitutes an undertaking by the recipient: (1) to hold this information in strict confidence (2) not to disclose, duplicate, copy, or use the information, in whole or in part, for any purpose other than that for which disclosed

| | | | | | |
|---|-------------------------------|-----------------|-----------------|---|--------------------------|
| UNLESS OTHERWISE SPECIFIED ALL DIMENSIONS ARE INCHES (MM) SHOWN FOR REFERENCE ALL ANGLES ARE IN DEGREES | | MATERIAL N/A | | 12780 DANIELSON CT, SUITE A, POWAY, CA 92064 PHONE: (800)522-5546 • WWW.VCCCLITE.COM | |
| GENERAL TOLERANCES | | FINISH N/A | | | |
| INCH .XX ± 0.025 .XXX ± 0.010 | MM .X ± 0.63 .XX ± 0.25 | DRW | A.SANCHEZ | 1/9/18 | DESC |
| BREAK ALL CORNERS AND SHARP EDGES .030 MAX | | D-ENG | A.SANCHEZ | 1/9/18 | 11/16" MOUNT PANEL LIGHT |
| XX DIMS INSPECTION CRITICAL ANGLE ± 1° | | P-ENG | O.LARA / G.RUIZ | 1/16/18 | |
| THIRD ANGLE PROJECTION | | QC | E.LARA | 1/17/18 | PART NO |
| DO NOT SCALE DRAWING PRINTED COPIES ARE UNCONTROLLED | | SIZE | | DRW NO | SEE TABLES |
| | | B | | 1116 SERIES | REV |
| | | SCALE: 1:1 | | | A |
| | | SHEET: 1 OF 1 | | | |