



Chipsmall Limited consists of a professional team with an average of over 10 year of expertise in the distribution of electronic components. Based in Hongkong, we have already established firm and mutual-benefit business relationships with customers from,Europe,America and south Asia,supplying obsolete and hard-to-find components to meet their specific needs.

With the principle of “Quality Parts,Customers Priority,Honest Operation,and Considerate Service”,our business mainly focus on the distribution of electronic components. Line cards we deal with include Microchip,ALPS,ROHM,Xilinx,Pulse,ON,Everlight and Freescale. Main products comprise IC,Modules,Potentiometer,IC Socket,Relay,Connector.Our parts cover such applications as commercial,industrial, and automotives areas.

We are looking forward to setting up business relationship with you and hope to provide you with the best service and solution. Let us make a better world for our industry!



Contact us

Tel: +86-755-8981 8866 Fax: +86-755-8427 6832

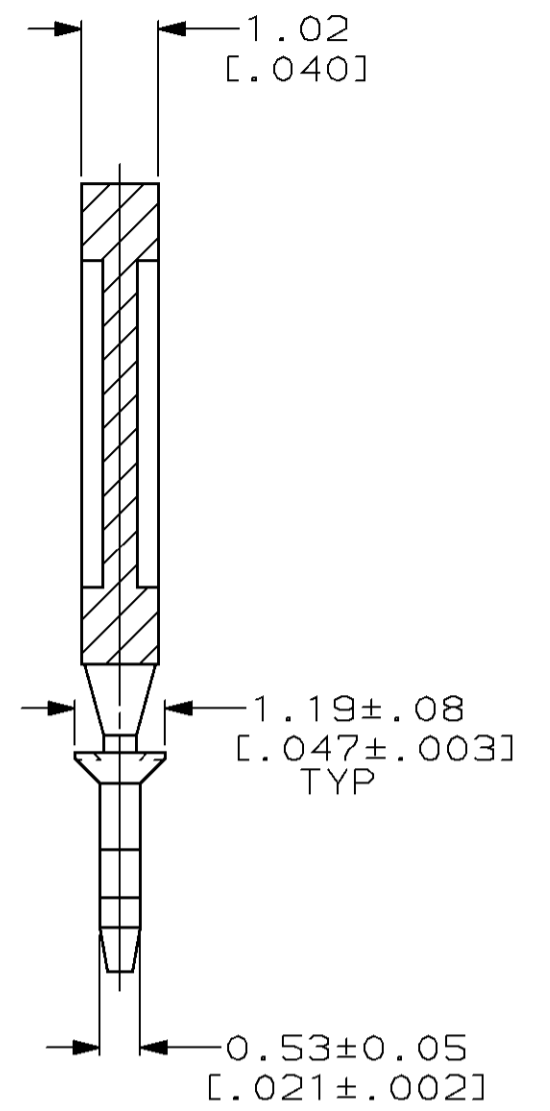
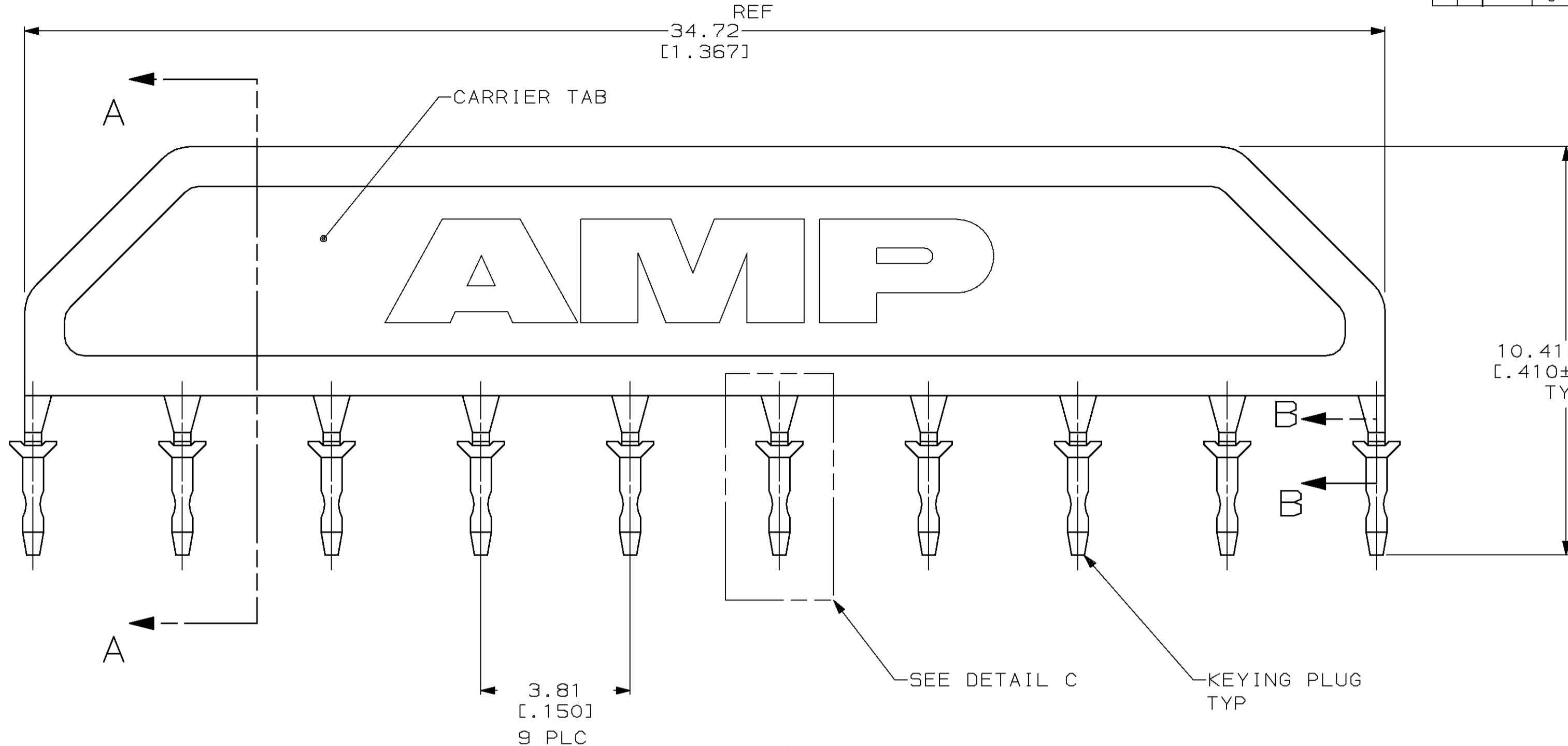
Email & Skype: info@chipsmall.com Web: www.chipsmall.com

Address: A1208, Overseas Decoration Building, #122 Zhenhua RD., Futian, Shenzhen, China

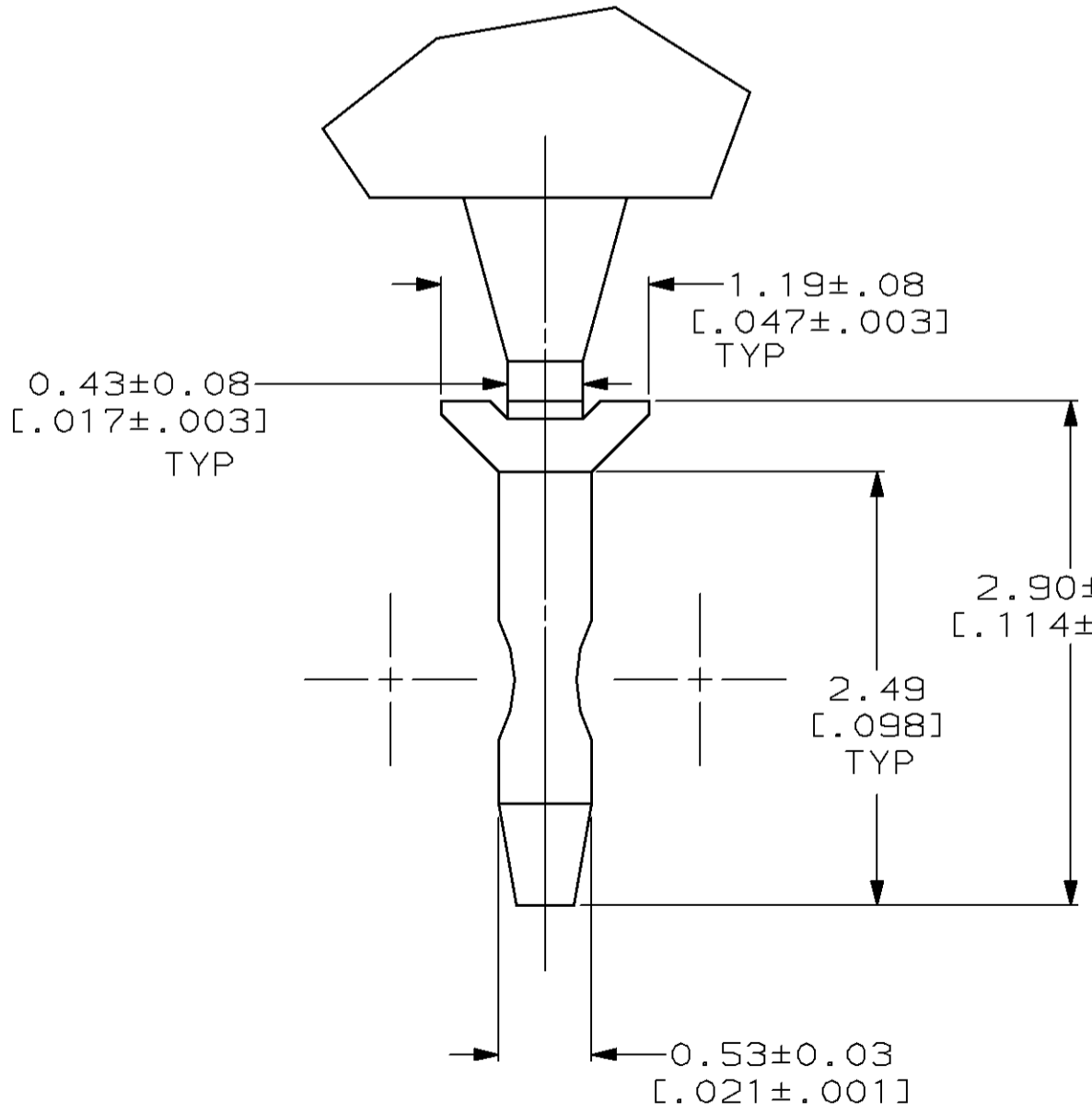


THIS DRAWING IS UNPUBLISHED. RELEASED FOR PUBLICATION, 19 .
 © COPYRIGHT 19 BY AMP INCORPORATED. ALL INTERNATIONAL RIGHTS RESERVED.

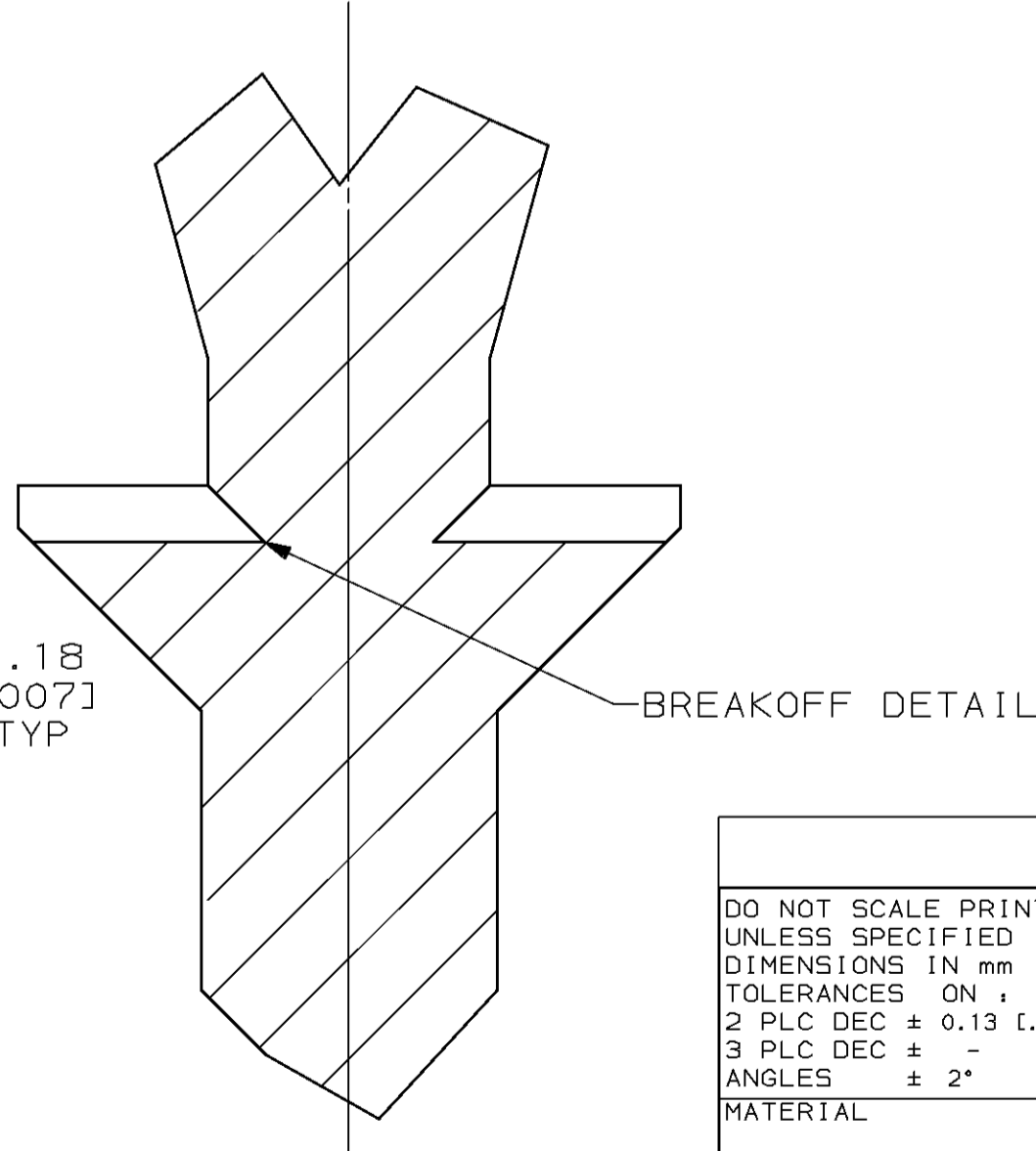
LOC	DIST	P	F	ZONE	LTR	DESCRIPTION	DATE	APPD
AR	35				B	REV PER ECN BD6220	05/15/92	RL
					C	REV PER EC 0020-280-94	05/03/94	AM



SECTION A-A



DETAIL C
SCALE 25:1



SECTION B-B
SCALE 75:1

DO NOT SCALE PRINT. UNLESS SPECIFIED. DIMENSIONS IN mm [INCHES]. TOLERANCES ON: 2 PLC DEC ± 0.13 [0.005]; 3 PLC DEC ± -; ANGLES ± 2°.		DR 02-21-92 C.OBERMAN		111620-1	
MATERIAL: POLYESTER, BLACK		CHK 03-3-92 R.STONE		PART NO	
FINISH: -		APPD 03-3-92 R.LOCATI		AMP AMP Incorporated Harrisburg, PA 17105-3608	
APPLICATION SPEC: -		APPD 03-3-92 D.HOFFMAN		NAME: KEYING PLUG, 2mm AMP-LATCH™	
WEIGHT: -		SIZE: C	CAGE CODE: 00779	DRAWING NO: 111620	
		SCALE: 10:1		SHEET: 1 OF 1	