



Chipsmall Limited consists of a professional team with an average of over 10 year of expertise in the distribution of electronic components. Based in Hongkong, we have already established firm and mutual-benefit business relationships with customers from,Europe,America and south Asia,supplying obsolete and hard-to-find components to meet their specific needs.

With the principle of “Quality Parts,Customers Priority,Honest Operation,and Considerate Service”,our business mainly focus on the distribution of electronic components. Line cards we deal with include Microchip,ALPS,ROHM,Xilinx,Pulse,ON,Everlight and Freescale. Main products comprise IC,Modules,Potentiometer,IC Socket,Relay,Connector.Our parts cover such applications as commercial,industrial, and automotives areas.

We are looking forward to setting up business relationship with you and hope to provide you with the best service and solution. Let us make a better world for our industry!



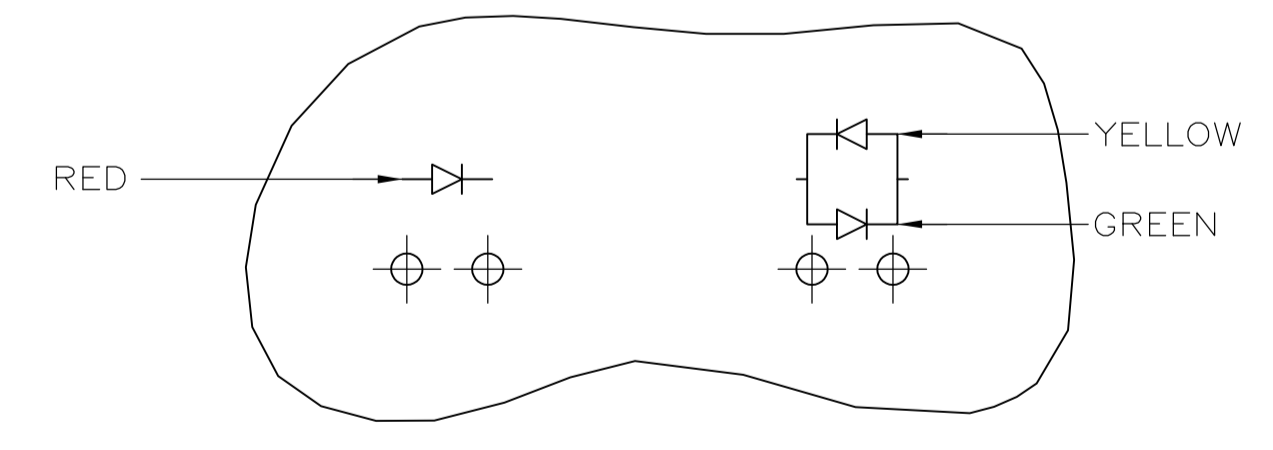
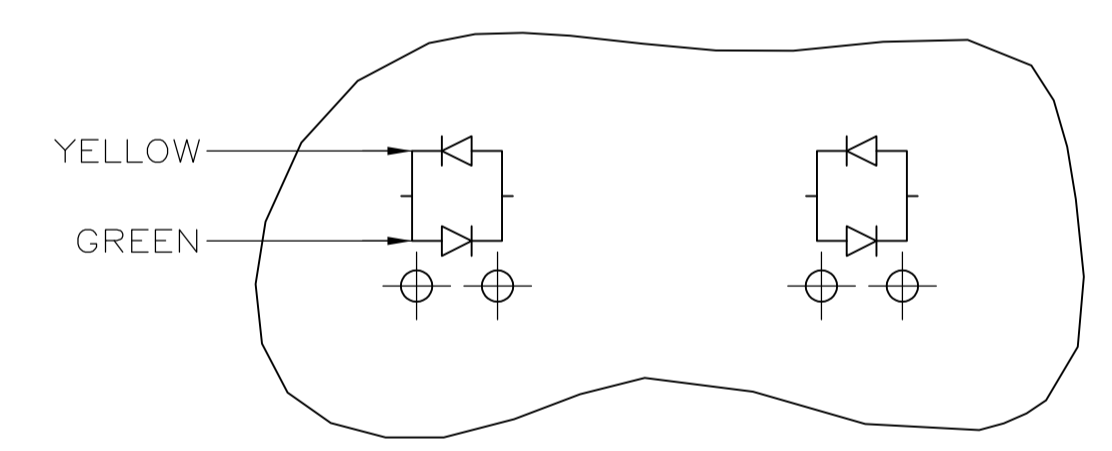
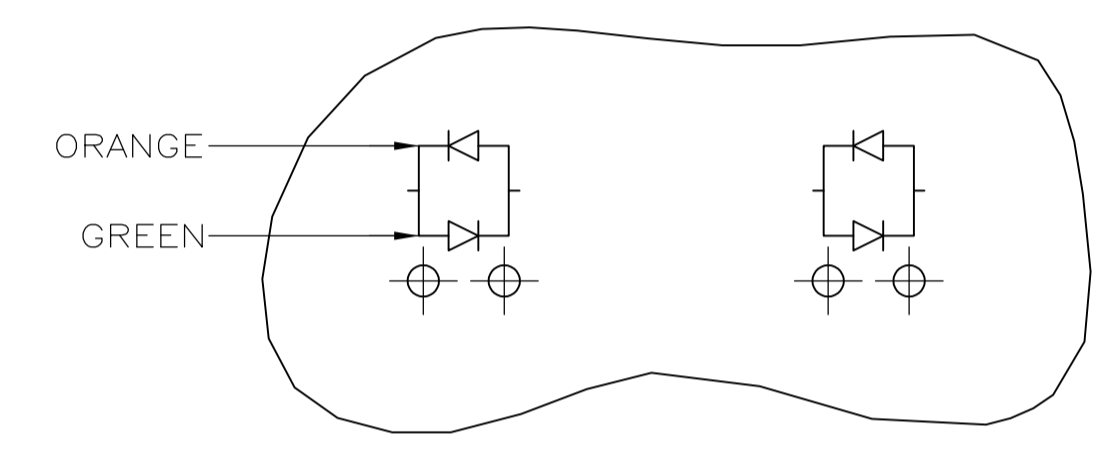
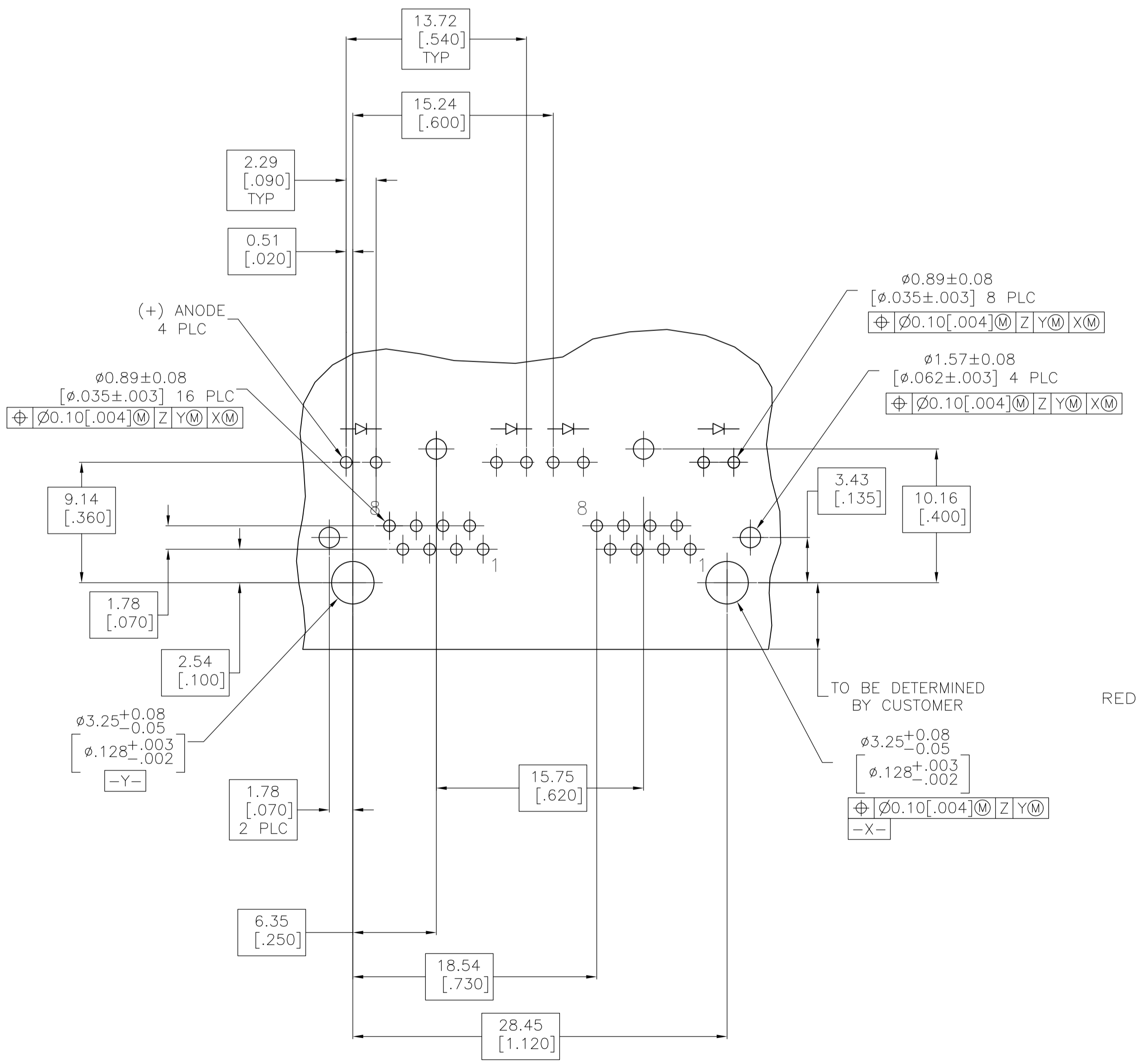
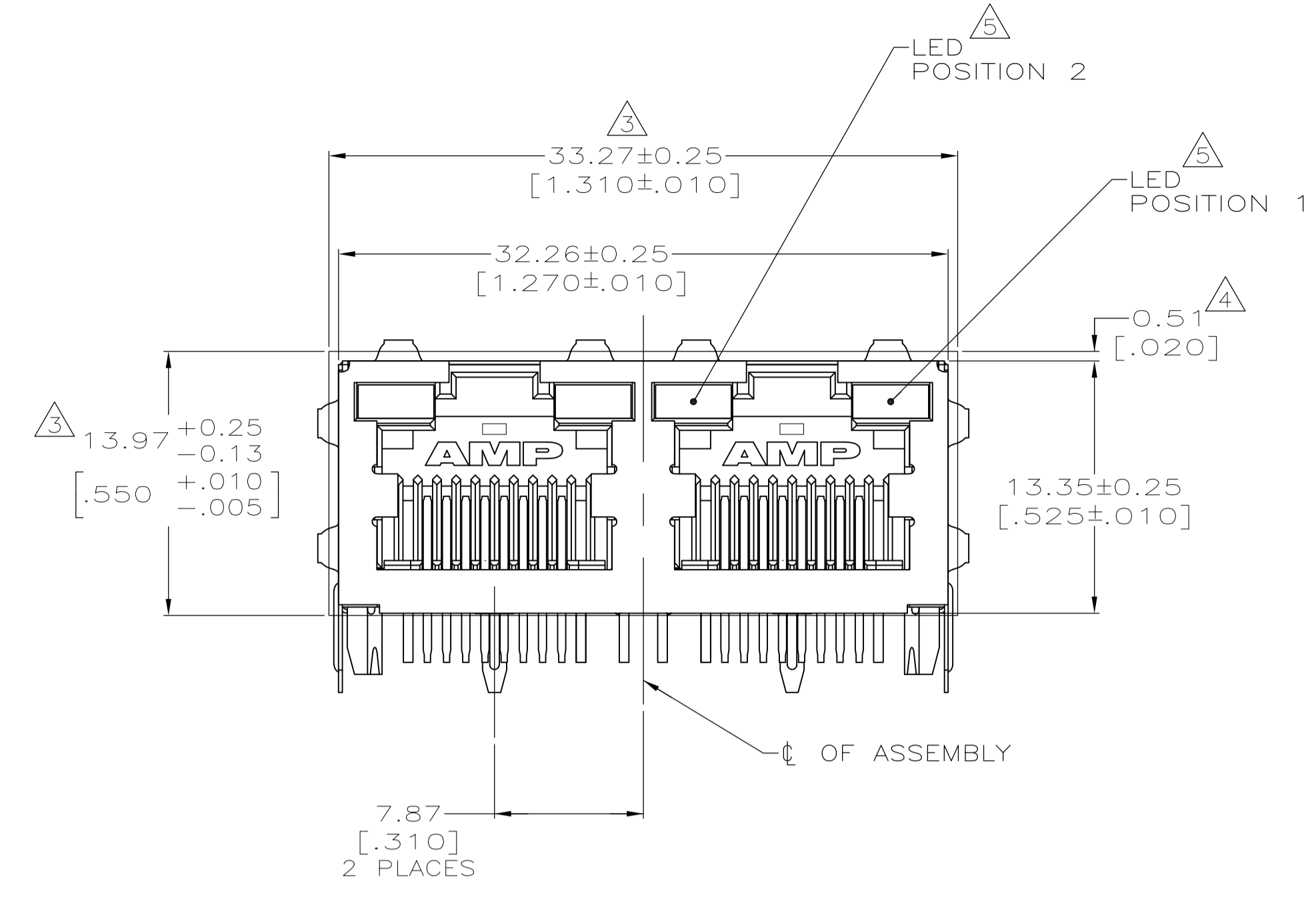
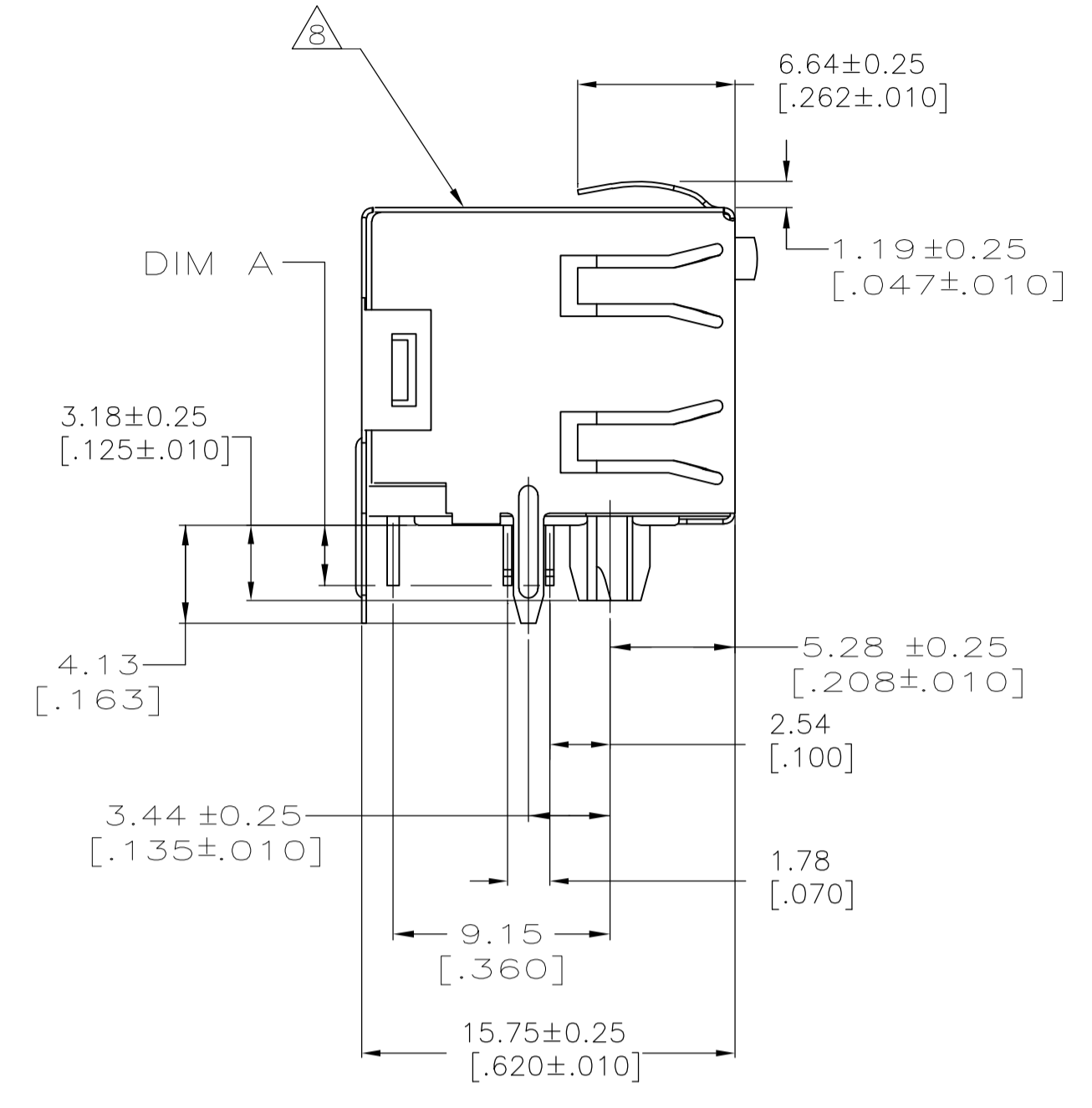
Contact us

Tel: +86-755-8981 8866 Fax: +86-755-8427 6832

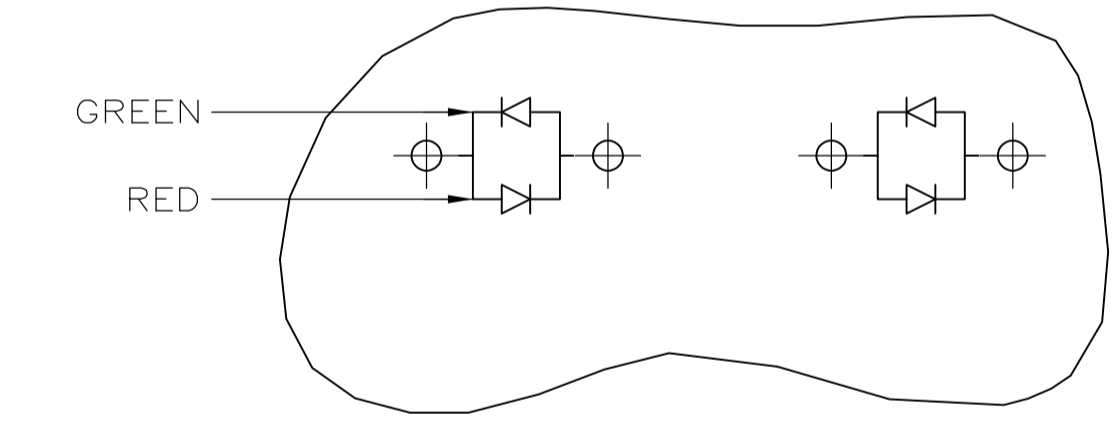
Email & Skype: info@chipsmall.com Web: www.chipsmall.com

Address: A1208, Overseas Decoration Building, #122 Zhenhua RD., Futian, Shenzhen, China





- MATERIAL:
 HOUSING - HIGH TEMPERATURE THERMOPLASTIC, COLOR: BLACK, UL94V-0
 TERMINALS - 0.36[.014] THICK PHOS BRONZE PLATED WITH 3.81µm[.000150] MIN THICK BRIGHT TIN LEAD IN SOLDER AREA, 1.27µm[.000050] MIN GOLD IN LOCALIZED PLATE AREA. ENTIRE TERMINAL PLATED WITH 1.27µm[.000050] MIN THICK NICKEL.
 SHIELD - 0.196[.0077] THICK COPPER ZINC ALLOY PREPLATED WITH 1.27µm[.000050] MIN SATIN NICKEL WITH 2.03µm[.000080] MIN TIN POST DIPPED ON PCB GROUND TABS
 LIGHT EMITTING DIODE (LED) - DIFFUSED EPOXY LENS, 0.51 X 0.51[.020 X .020] CARBON STEEL WIREFRAME LEADS PLATED WITH 8.89µm[.000350] TIN/COPPER OVER 2.03µm[.000080] SILVER OVER 1.02µm[.000040] NICKEL UNDERPLATE OVER 2.03µm[.000080] COPPER UNDERPLATE
 - JACK CAVITY CONFORMS TO FCC RULES AND REGULATIONS PART 68, SUBPART F.
- \triangle SUGGESTED PANEL OPENING DIMENSIONS.
 \triangle SUGGESTED CLEARANCE BETWEEN TOP OF CONNECTOR AND TOP PANEL OPENING.
 \triangle SEE TABLE FOR COLOR OF LEDS AND NUMBER REQUIRED.
 \triangle THIS MODULAR JACK WITH INTEGRATED LED IS NOT IR REFLOW SOLDERING PROCESS COMPATIBLE.
 \triangle OBSOLETE PARTS: OBSOLETE CIS STREAMLINING PER D.RENAUD/D.SINISI
 \triangle MANUFACTURING DATE CODE:
 LOCATED APPROX. AS SHOWN.
 FIRST 2 DIGITS= LAST 2 DIGITS OF YEAR.
 NEXT 2 DIGITS= MANUFACTURING WORK WEEK.
 LAST DIGIT= DAY OF WEEK WITH SUNDAY=1.



REVISION	DESCRIPTION	DATE	BY	APP'D
1	REVISED	29MAR10	AZ	SY

REVISION	DESCRIPTION	DATE	BY	APP'D
1	REVISED	29MAR10	AZ	SY

REVISION	DESCRIPTION	DATE	BY	APP'D
1	REVISED	29MAR10	AZ	SY

REVISION	DESCRIPTION	DATE	BY	APP'D
1	REVISED	29MAR10	AZ	SY

REVISION	DESCRIPTION	DATE	BY	APP'D
1	REVISED	29MAR10	AZ	SY

REVISION	DESCRIPTION	DATE	BY	APP'D
1	REVISED	29MAR10	AZ	SY

RECOMMENDED PRINTED CIRCUIT BOARD LAYOUT
(COMPONENT SIDE)

THIS DRAWING IS A CONTROLLED DOCUMENT.

DIMENSIONS: mm [INCHES]
 TOLERANCES UNLESS OTHERWISE SPECIFIED:
 0 PLC ± -
 1 PLC ± -
 2 PLC ± 0.25[.010]
 3 PLC ± -
 4 PLC ± -
 ANGLES ± -

MATERIAL: SEE NOTE 1
 FINISH: SEE NOTE 1

WEIGHT: -
 SCALE: 4:1
 SHEET: 1 of 1
 REV: G2

THIS DRAWING IS A CONTROLLED DOCUMENT.
 DLD/L.A.MAYER 090CT2007
 CJK/J.WESTMAN 090CT2007
 APVD/S.FLICKINGER 090CT2007
 NAME: S.FLICKINGER
 PRODUCT SPEC: 108-1163-4
 APPLICATION SPEC: 114-2154

Tyco Electronics Corporation
 Harrisburg, PA 17105-3608
 INVERTED MODULAR JACK ASSEMBLY,
 1X2, SHIELDED, PANEL GROUNDS WITH LEDS

SIZE: A1
 CAGE CODE: 00779
 DRAWING NO: 1116353
 CUSTOMER DRAWING