



Chipsmall Limited consists of a professional team with an average of over 10 year of expertise in the distribution of electronic components. Based in Hongkong, we have already established firm and mutual-benefit business relationships with customers from,Europe,America and south Asia,supplying obsolete and hard-to-find components to meet their specific needs.

With the principle of “Quality Parts,Customers Priority,Honest Operation,and Considerate Service”,our business mainly focus on the distribution of electronic components. Line cards we deal with include Microchip,ALPS,ROHM,Xilinx,Pulse,ON,Everlight and Freescale. Main products comprise IC,Modules,Potentiometer,IC Socket,Relay,Connector.Our parts cover such applications as commercial,industrial, and automotives areas.

We are looking forward to setting up business relationship with you and hope to provide you with the best service and solution. Let us make a better world for our industry!



Contact us

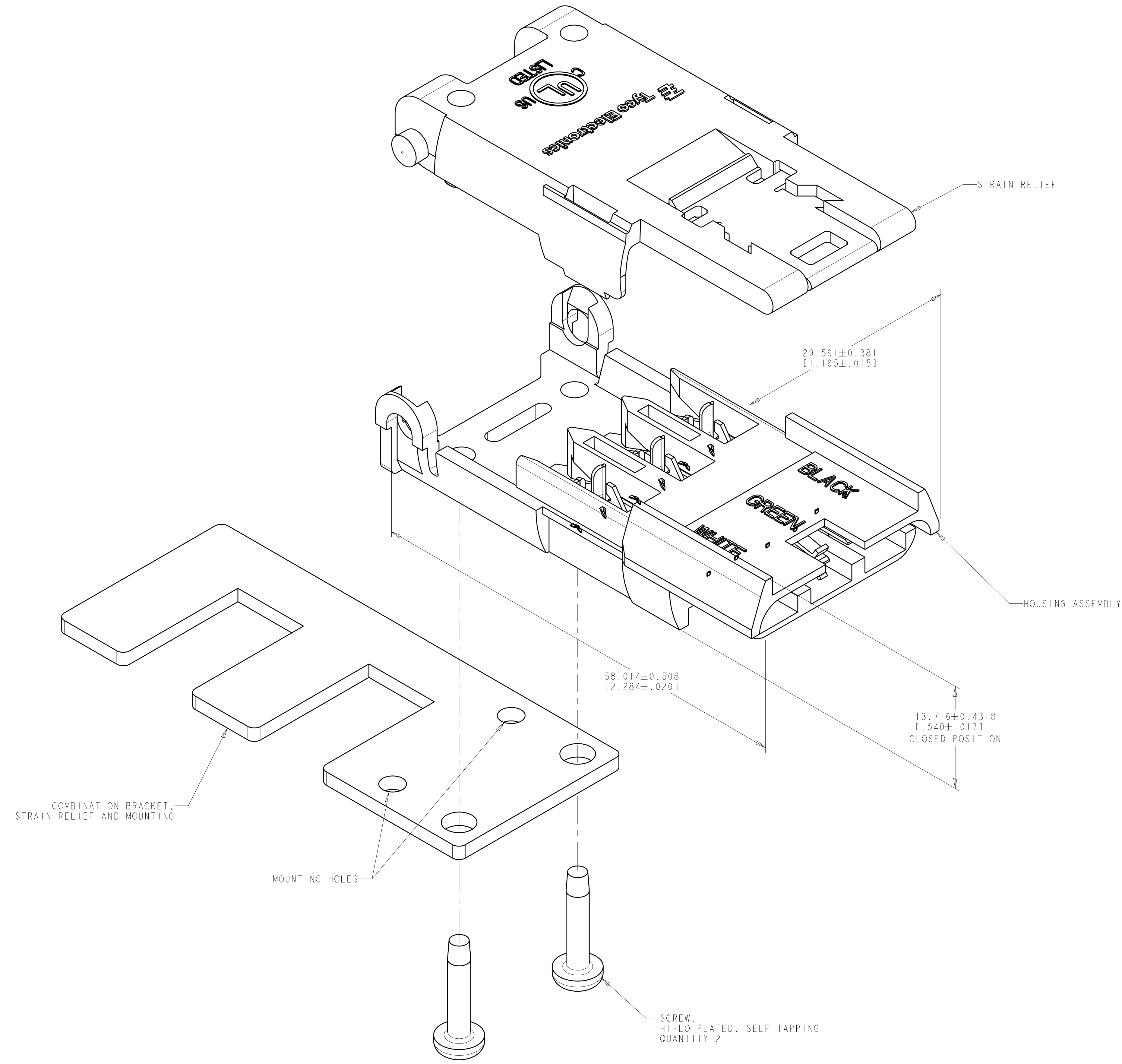
Tel: +86-755-8981 8866 Fax: +86-755-8427 6832

Email & Skype: info@chipsmall.com Web: www.chipsmall.com

Address: A1208, Overseas Decoration Building, #122 Zhenhua RD., Futian, Shenzhen, China



LOC	DIST	REVISIONS			
HM	00	REV	DATE	BY	APPD
		D1	REVISED PER ECO-11-005027	16MAY2011	RK HMR



- 1 MATERIAL: HOUSING ASSEMBLY - CONTACTS, TIN PLATED COPPER ALLOY; HOUSING, POLYCARBONATE MOLDING COMPOUND SOFT WHITE; STRAIN RELIEF - POLYCARBONATE MOLDING COMPOUND, CLEAR; COMBO BRACKET - PREGALVANIZED CARBON STEEL.
- 2. WIRE RANGE AND TYPE: 12 & 14 AWG SOLID COPPER WIRE ONLY, NONMETALLIC SHEATHED CABLE.
- 3. CONTACTS ASSEMBLED IN HOUSING.
- 4 KIT PACKAGED BULK: 500 HOUSING/CONTACT ASSEMBLIES IN A POLYBAG, 500 STRAIN RELIEFS IN A POLYBAG, 500 COMBO BRACKETS IN A BAG, 1000 SCREWS IN A BAG. ONE BAG OF EACH PACKAGED IN AN OUTER POLYBAG WITH 1 INSTRUCTION SHEET 408-4504. 5 OUTER POLYBAGS PACKAGED IN A BOX.
- 5 KIT PACKAGED INDIVIDUALLY: 1 HOUSING/CONTACT ASSEMBLY, 1 STRAIN RELIEF, 1 COMBO BRACKET, 2 SCREWS AND 1 INSTRUCTION SHEET 408-4504-1 IN A WHITE BACKGROUND POLYBAG. 100 KITS PACKAGED IN A BOX.
- 6 KIT PACKAGED BULK: 100 HOUSING/CONTACT ASSEMBLIES IN A POLYBAG, 100 STRAIN RELIEFS IN A POLYBAG, 100 COMBO BRACKETS IN A BAG, 200 SCREWS IN A BAG. ONE BAG OF EACH PACKAGED IN AN OUTER POLYBAG WITH 1 INSTRUCTION SHEET 408-4504. 5 OUTER POLYBAGS PACKAGED IN A BOX.

6	1116377-3
5	1116377-2
4	1116377-1
DESCRIPTION	PART NO

THIS DRAWING IS A CONTROLLED DOCUMENT.		DWN L. SMITH 07AUG98	TE Connectivity	
DIMENSIONS: mm [INCHES]		CHK F. LINCOLN 28OCT98		
TOLERANCES UNLESS OTHERWISE SPECIFIED:		APVD F. LINCOLN 28OCT98	NAME KIT, NMC CONNECTOR, 2 COND+GND, 12 AND 14 AWG SOLID COPPER	
0 PLC ±	1 PLC ±	PRODUCT SPEC	SIZE CAGE CODE DRAWING NO RESTRICTED TO	
2 PLC ±	3 PLC ±	APPLICATION SPEC	A100779 C=1116377	
4 PLC ±	ANGLES ±	WEIGHT	SCALE 4:1 SHEET 1 OF 1 REV D1	
MATERIAL	FINISH	CUSTOMER DRAWING		