



Chipsmall Limited consists of a professional team with an average of over 10 year of expertise in the distribution of electronic components. Based in Hongkong, we have already established firm and mutual-benefit business relationships with customers from,Europe,America and south Asia,supplying obsolete and hard-to-find components to meet their specific needs.

With the principle of “Quality Parts,Customers Priority,Honest Operation,and Considerate Service”,our business mainly focus on the distribution of electronic components. Line cards we deal with include Microchip,ALPS,ROHM,Xilinx,Pulse,ON,Everlight and Freescale. Main products comprise IC,Modules,Potentiometer,IC Socket,Relay,Connector.Our parts cover such applications as commercial,industrial, and automotives areas.

We are looking forward to setting up business relationship with you and hope to provide you with the best service and solution. Let us make a better world for our industry!



Contact us

Tel: +86-755-8981 8866 Fax: +86-755-8427 6832

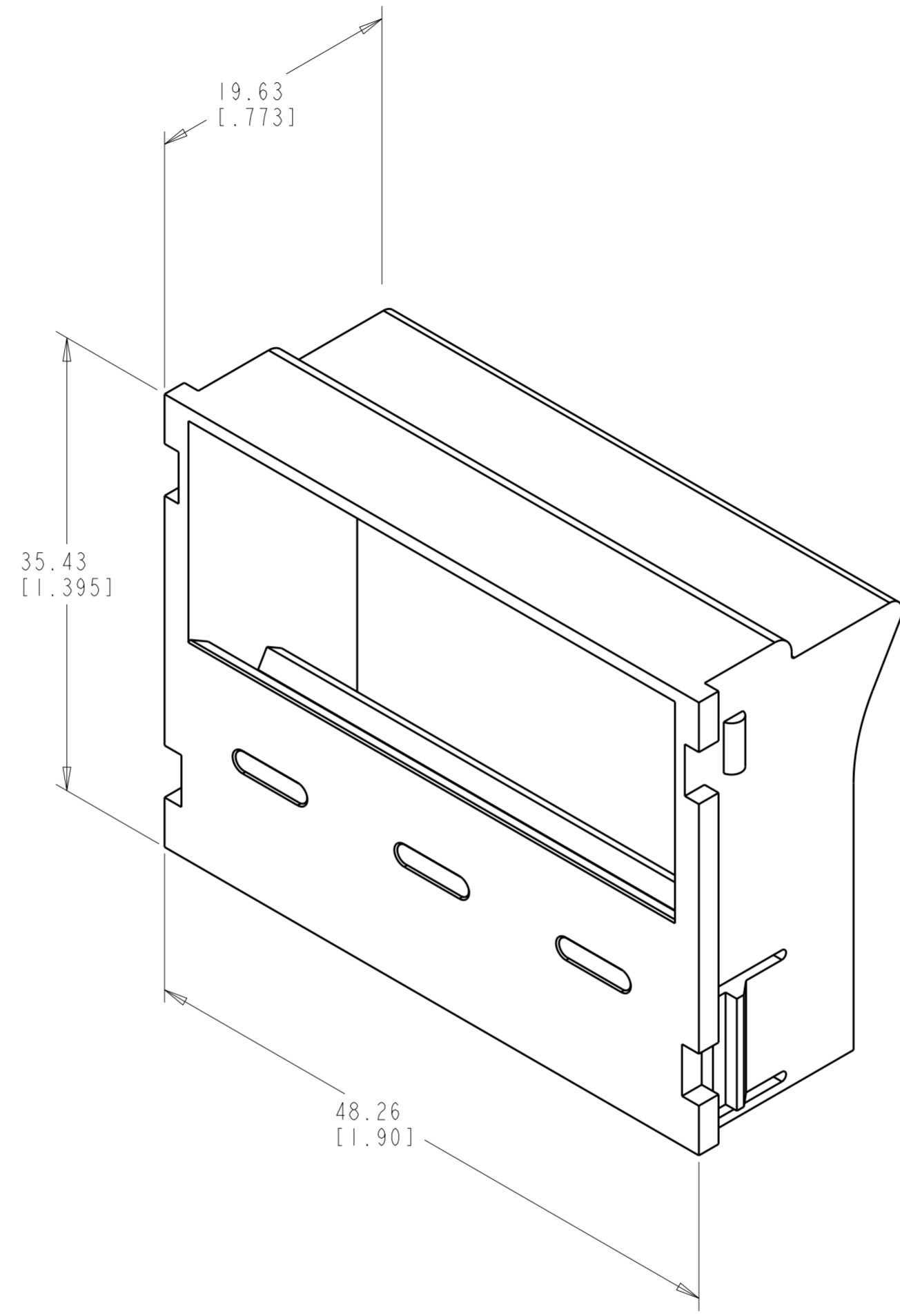
Email & Skype: info@chipsmall.com Web: www.chipsmall.com

Address: A1208, Overseas Decoration Building, #122 Zhenhua RD., Futian, Shenzhen, China



THIS DRAWING IS UNPUBLISHED. RELEASED FOR PUBLICATION 20
 © COPYRIGHT 20 BY - ALL RIGHTS RESERVED.

REVISIONS				
P	LTR	DESCRIPTION	DATE	APVD
A		REV; EC 0B40-0208-00	-	GG GB
B		REV; ECO-14-010918	22JULY2014	GG RA
C		REV; ECO-15-003156	19MAY2015	GG RA



- 1 MATERIAL:
MODULE: ABS MOLDING COMPOUND.
SEE TABLE FOR COLOR.
- 2 DIMENSIONS ARE NOMINAL
UNLESS OTHERWISE SPECIFIED.
- 3. MODULE WILL ACCEPT SL SERIES TOOLLESS
MODULAR JACKS AND SL INSERTS.
- 4. REFER TO INSTRUCTION SHEET 408-8398
FOR INSTALLATION PROCEDURES.

ALPINE WHITE	I-1116408-3
LT ALMOND	1116408-1
COLOR	PART NO

THIS DRAWING IS A CONTROLLED DOCUMENT.		DWN R. MARTIN 15OCT98	TE Connectivity	
DIMENSIONS: mm (INCHES)		CHK R. MARTIN 15OCT98		
		APVD R. MARTIN 09DEC99		
TOLERANCES UNLESS OTHERWISE SPECIFIED:		PRODUCT SPEC	NAME MODULE, 3 PORT, ANGLED, 1.5 UNITS HIGH, SL SERIES	
0 PLC ±	±	APPLICATION SPEC	SIZE	CAGE CODE
1 PLC ±	±	WEIGHT	A2	-
2 PLC ±	±	Customer Drawing	SCALE	DRAWING NO
3 PLC ±	±		3:1	G-1116408
4 PLC ±	±		SHEET	OF
ANGLES ±	±		1	1
FINISH	-		REV	C
	-			