



Chipsmall Limited consists of a professional team with an average of over 10 year of expertise in the distribution of electronic components. Based in Hongkong, we have already established firm and mutual-benefit business relationships with customers from,Europe,America and south Asia,supplying obsolete and hard-to-find components to meet their specific needs.

With the principle of “Quality Parts,Customers Priority,Honest Operation,and Considerate Service”,our business mainly focus on the distribution of electronic components. Line cards we deal with include Microchip,ALPS,ROHM,Xilinx,Pulse,ON,Everlight and Freescale. Main products comprise IC,Modules,Potentiometer,IC Socket,Relay,Connector.Our parts cover such applications as commercial,industrial, and automotives areas.

We are looking forward to setting up business relationship with you and hope to provide you with the best service and solution. Let us make a better world for our industry!



## Contact us

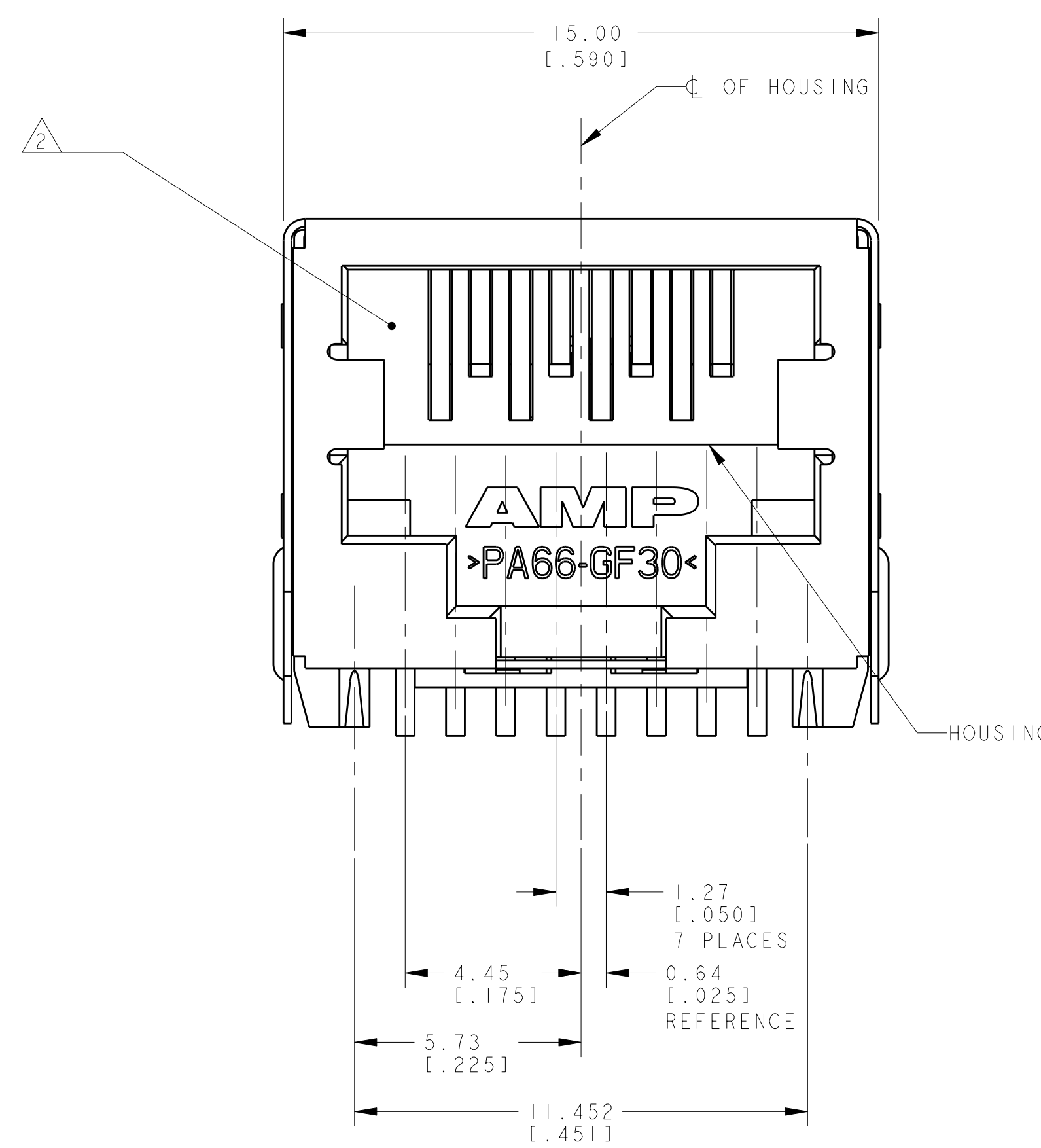
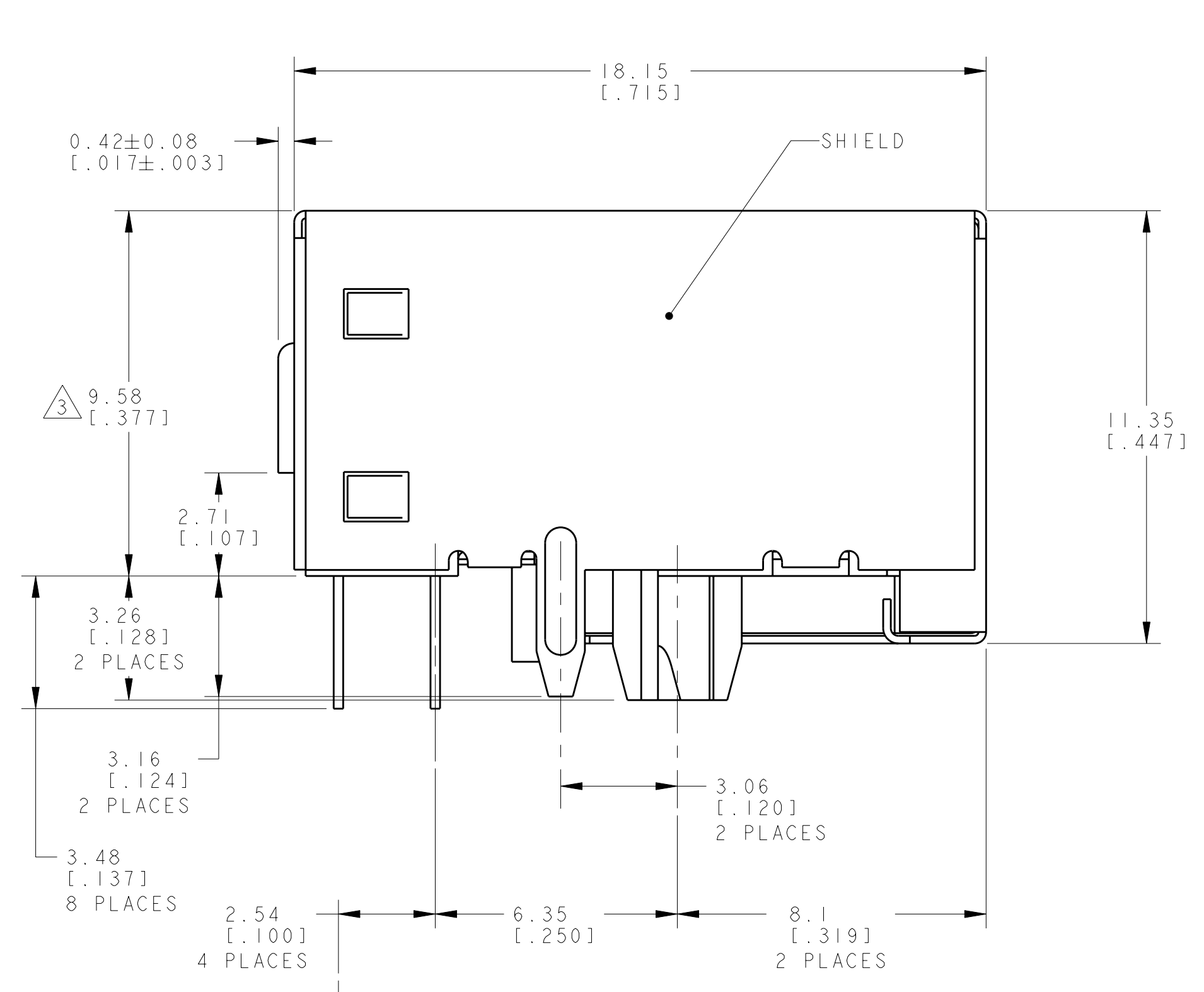
Tel: +86-755-8981 8866 Fax: +86-755-8427 6832

Email & Skype: info@chipsmall.com Web: www.chipsmall.com

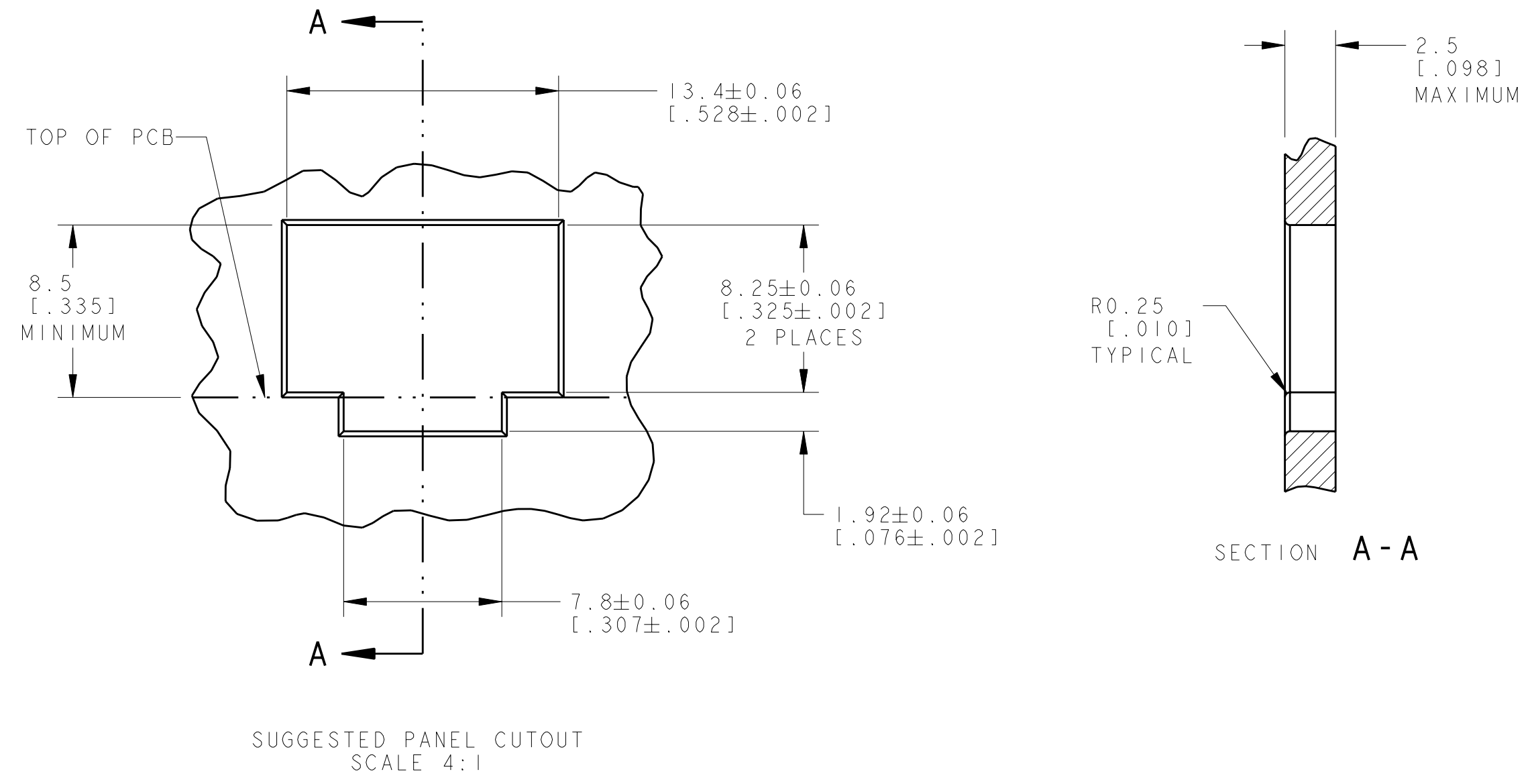
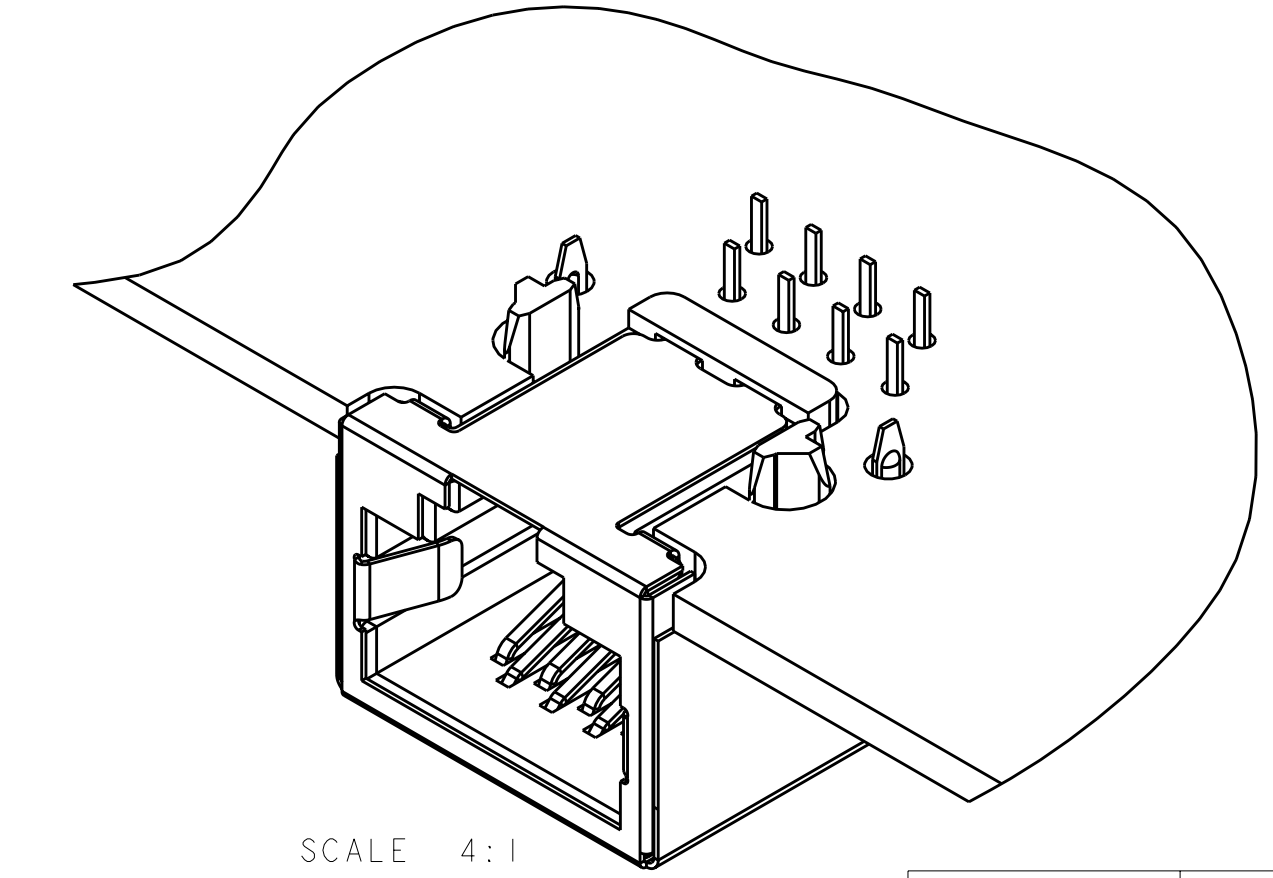
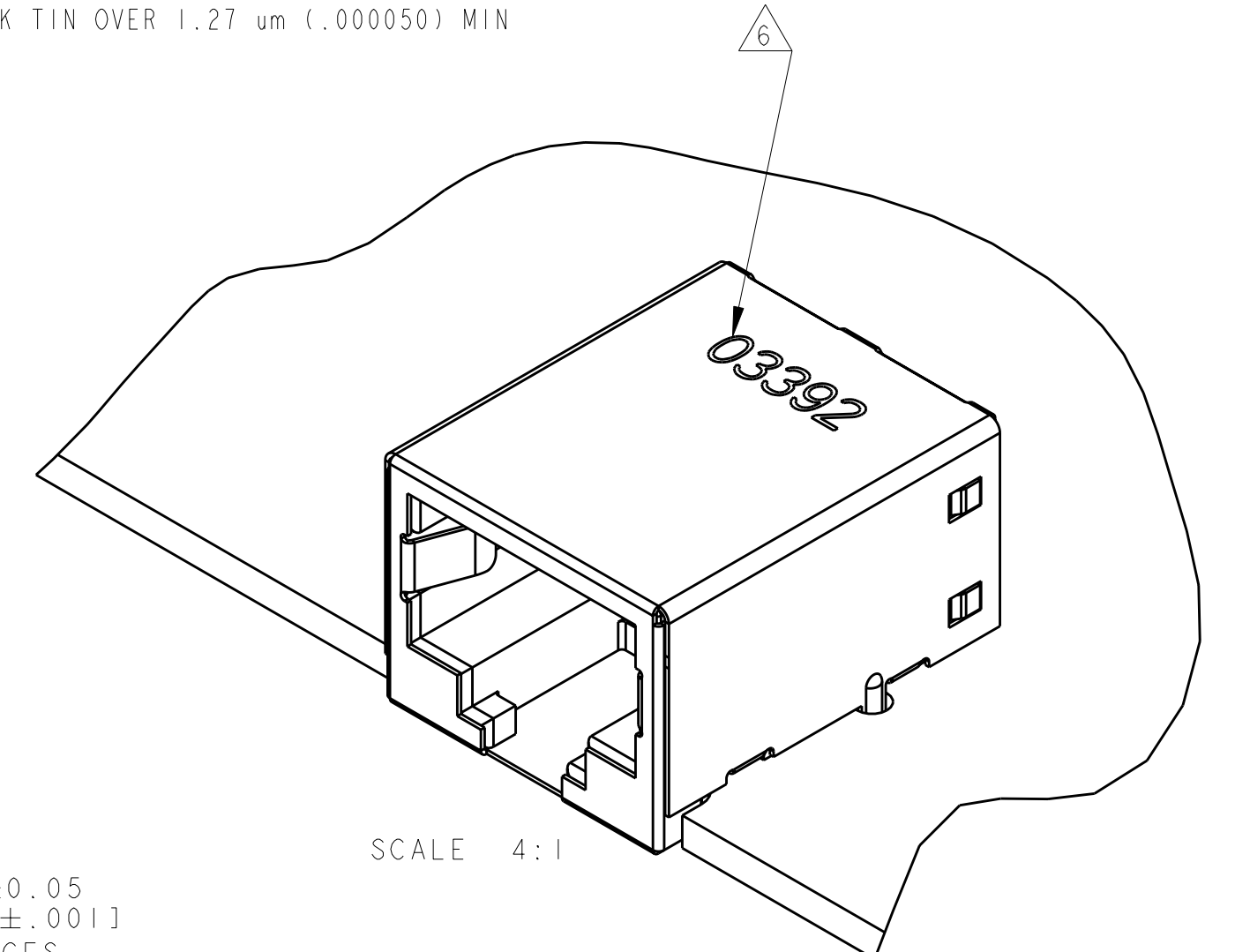
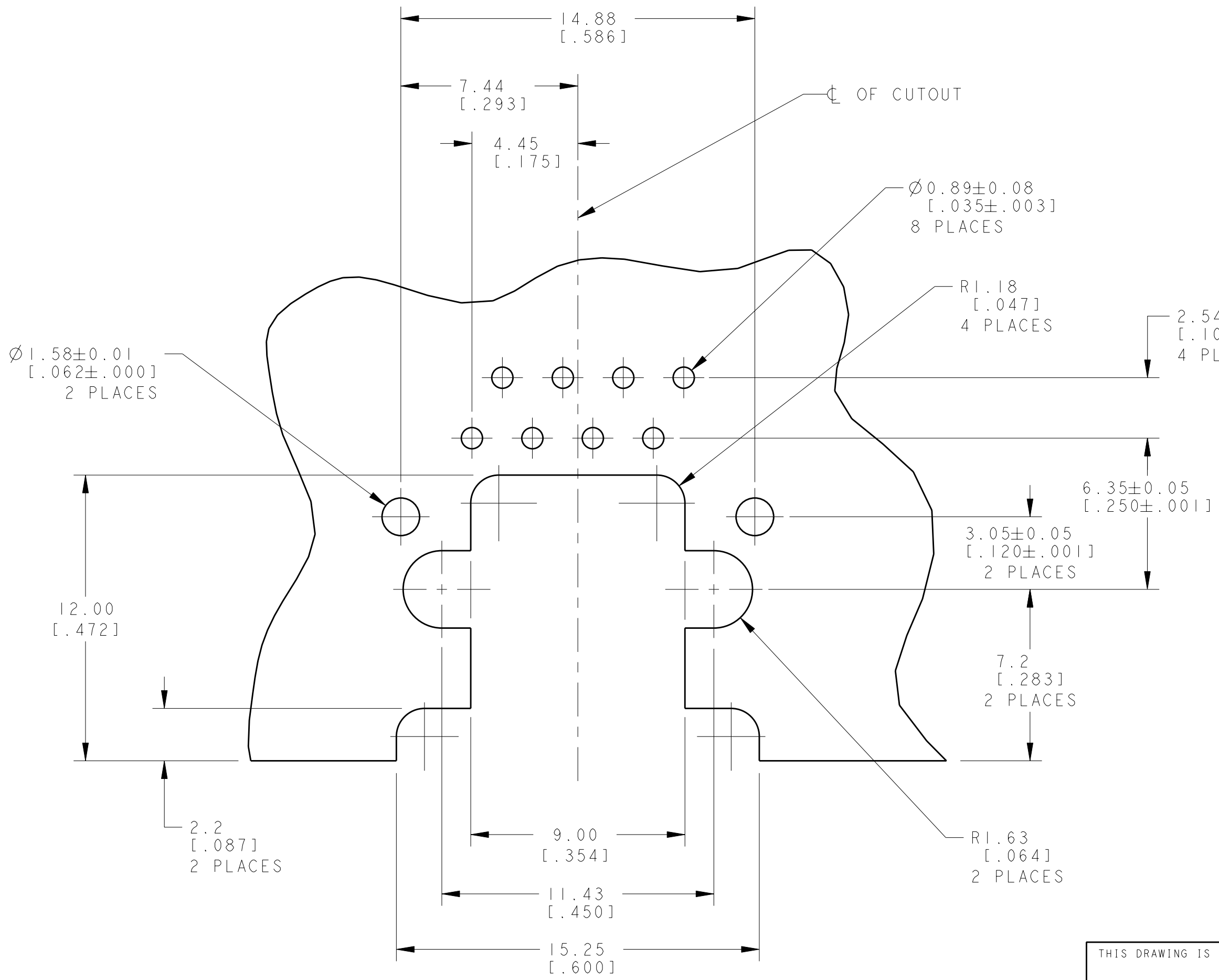
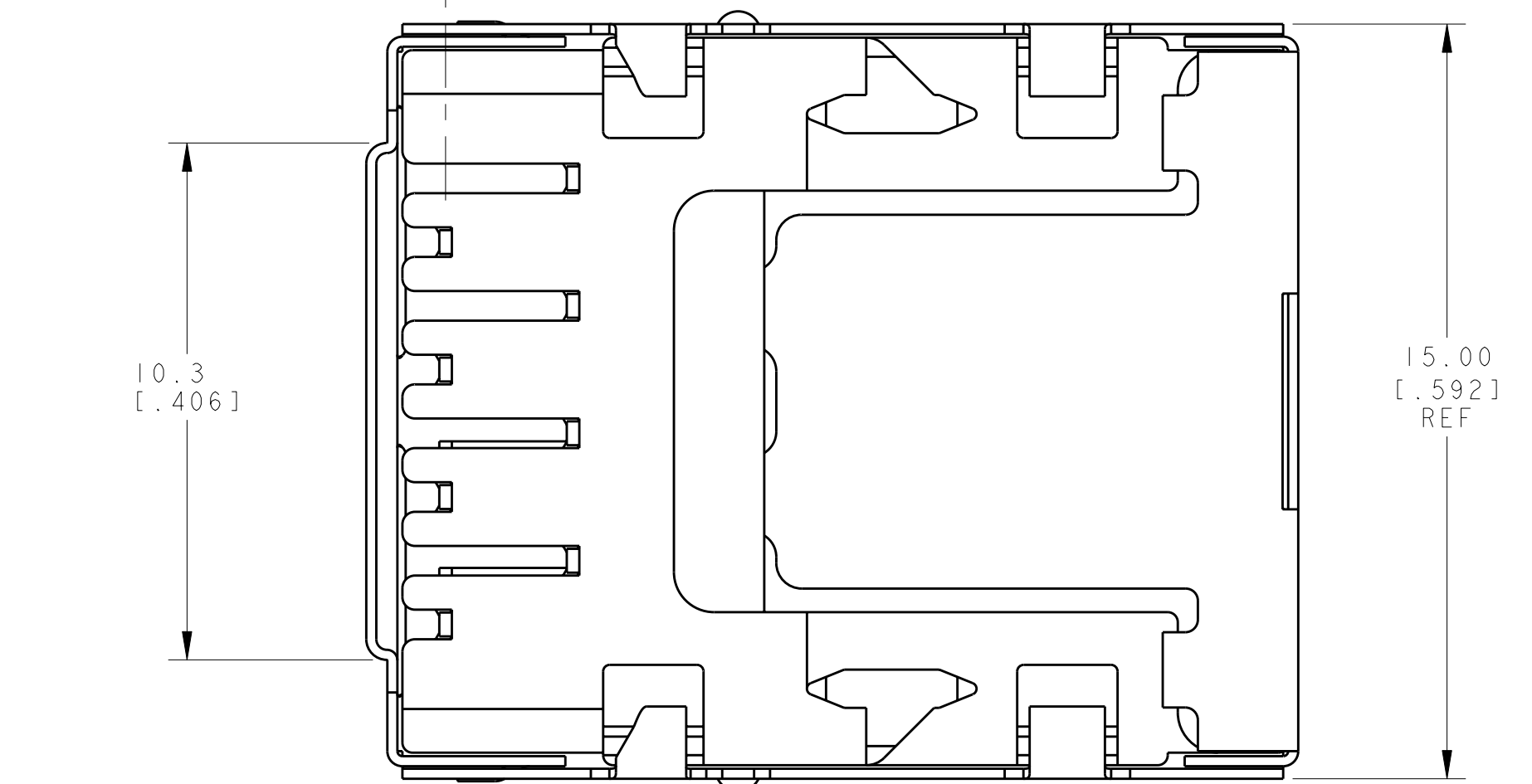
Address: A1208, Overseas Decoration Building, #122 Zhenhua RD., Futian, Shenzhen, China



LOC	DIST	REV	DATE	BY	CHKD	APVD
AA	22	N1	12MAY2011	RK	HMR	



- △ MATERIAL: HOUSING - HIGH TEMPERATURE NYLON, BLACK, UL 94V-0, TERMINALS - 0.25[0.01] THICK PHOSPHOR BRONZE PLATED WITH 3.81um[0.000150] MINIMUM THICK BRIGHT TIN-LEAD IN SOLDER AREA AREA, 1.27um[0.000050] MINIMUM GOLD IN LOCALIZED PLATE AREA. ENTIRE TERMINAL PLATED WITH 1.27um[0.000050] MINIMUM THICK NICKEL. SHIELD - 0.1[0.0039] MIN THICK COPPER ZINC ALLOY, PREPLATED WITH 2.0-4.0um [0.000079-0.000157] THICK TIN OVER 1.27 um [0.000050] MIN THICK NICKEL.
- △ JACK CAVITY CONFORMS TO FCC RULES AND REGULATIONS PART 68, SUBPART F.
- △ THIS DIMENSION REPRESENTS THE TOTAL HEIGHT OF THE CONNECTOR FROM THE TOP OF THE PC BOARD.
- 4. PACKAGED 66 ASSEMBLIES PER PVC TRAY, 396 PER BOX.
- 5. DIELECTRIC WITHSTANDING VOLTAGE BETWEEN SHIELD AND TERMINAL IS 1500 VAC
- △ MANUFACTURING DATE CODE:  
ORIENTED AND LOCATED APPROXIMATELY AS SHOWN. BLACK INK STAMP. TEXT HEIGHT APPROXIMATELY 2MM.  
FIRST 2 DIGITS = LAST 2 DIGITS OF YEAR  
NEXT 2 DIGITS = MANUFACTURING WORK WEEK  
LAST DIGIT = DAY OF WEEK WITH SUNDAY = 1
- △ MATERIAL: HOUSING - HIGH TEMPERATURE NYLON, BLACK, UL 94V-0, TERMINALS - 0.25[0.01] THICK PHOSPHOR BRONZE PLATED WITH 3.81um[0.000150] MINIMUM THICK MATTE TIN IN SOLDER AREA AREA, 1.27um[0.000050] MINIMUM GOLD IN LOCALIZED PLATE AREA. ENTIRE TERMINAL PLATED WITH 1.27um[0.000050] MINIMUM THICK NICKEL. SHIELD - 0.1[0.0039] MIN THICK COPPER ZINC ALLOY, PREPLATED WITH 2.0-4.0um [0.000079-0.000157] THICK TIN OVER 1.27 um [0.000050] MIN THICK NICKEL.



THIS DRAWING IS A CONTROLLED DOCUMENT.		DWN: J. AHERON 07APR99	1116503-2
DIMENSIONS: mm [INCHES]		CHK: D. KEMPKA 07APR99	1116503-1
TOLERANCES UNLESS OTHERWISE SPECIFIED:		APVD: D. KEMPKA 07APR99	MATERIAL / FINISH
9 PLC ±	0.13 [0.005]	NAME: MODULAR JACK ASSEMBLY, 8 POSITION, SHIELDED, 10mm WITHOUT PANEL TABS	PART NUMBER
3 PLC ±	0.13 [0.005]	PRODUCT SPEC: 108-1163	
5 PLC ±	0.13 [0.005]	APPLICATION SPEC: 114-2048	
4 PLC ±	0.13 [0.005]	SIZE: 114-2048	
ANGLES ±	0.13 [0.005]	WEIGHT: 3.49 grams	RESTRICTED TO
MATERIAL: SEE P/N TABLE	FINISH: SEE P/N TABLE	CUSTOMER DRAWING	SCALE: 8:1 SHEET 1 OF 1 REV: N1