



Chipsmall Limited consists of a professional team with an average of over 10 year of expertise in the distribution of electronic components. Based in Hongkong, we have already established firm and mutual-benefit business relationships with customers from,Europe,America and south Asia,supplying obsolete and hard-to-find components to meet their specific needs.

With the principle of “Quality Parts,Customers Priority,Honest Operation,and Considerate Service”,our business mainly focus on the distribution of electronic components. Line cards we deal with include Microchip,ALPS,ROHM,Xilinx,Pulse,ON,Everlight and Freescale. Main products comprise IC,Modules,Potentiometer,IC Socket,Relay,Connector.Our parts cover such applications as commercial,industrial, and automotives areas.

We are looking forward to setting up business relationship with you and hope to provide you with the best service and solution. Let us make a better world for our industry!



## Contact us

Tel: +86-755-8981 8866 Fax: +86-755-8427 6832

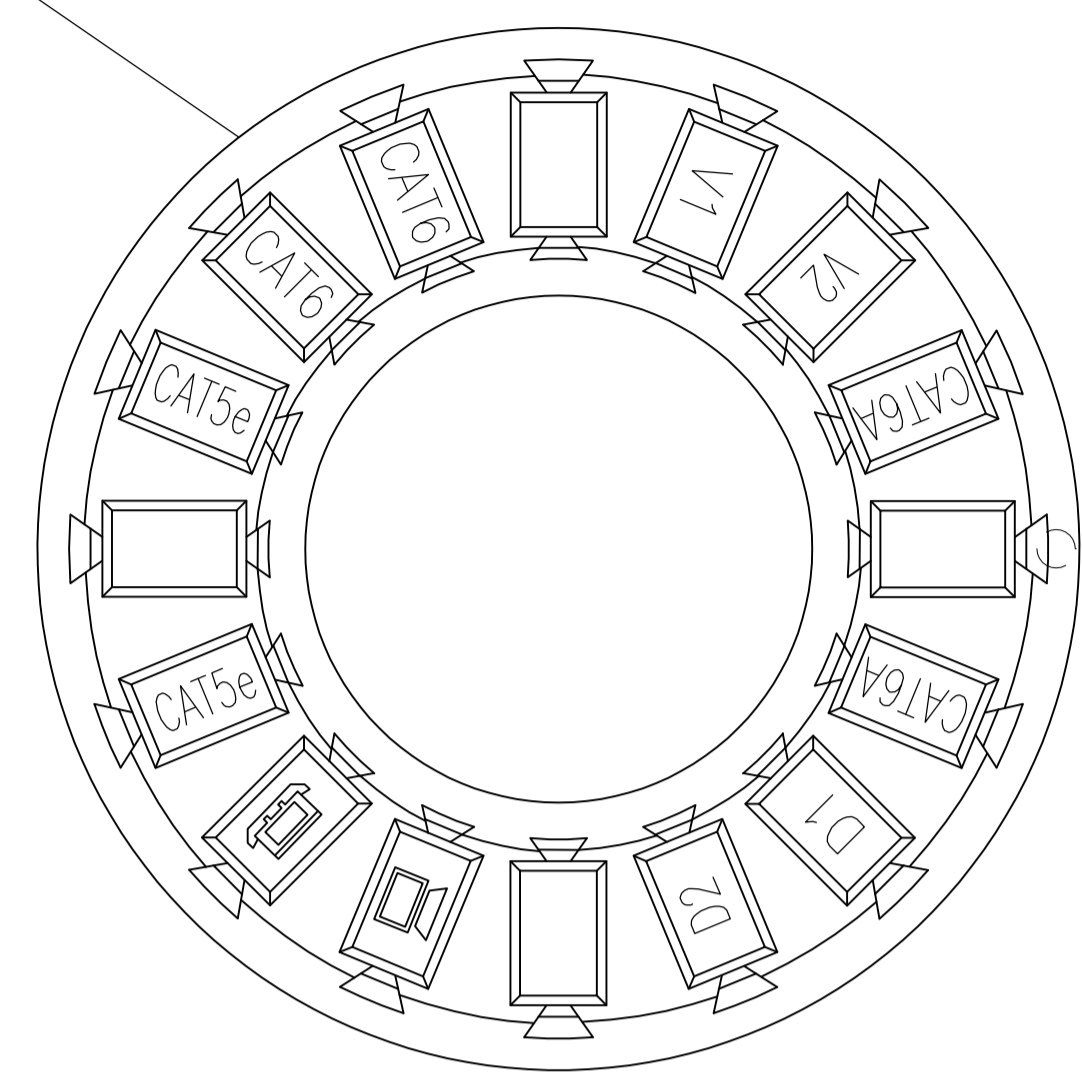
Email & Skype: info@chipsmall.com Web: www.chipsmall.com

Address: A1208, Overseas Decoration Building, #122 Zhenhua RD., Futian, Shenzhen, China

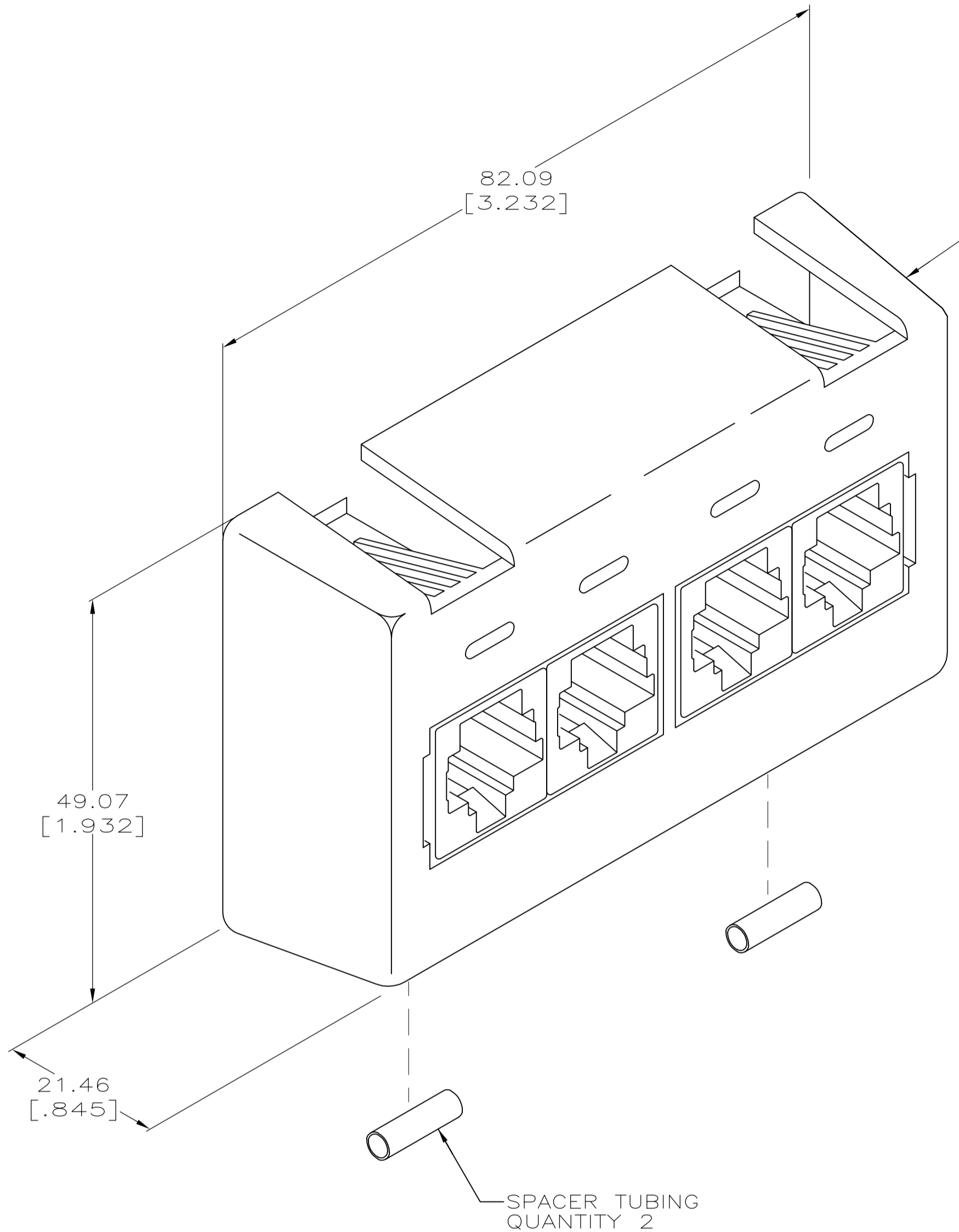


LOC		DIST		REVISIONS			
HM	00	REV	DESCRIPTION	DATE	DMN	APVD	
A		REV ECO-05-013206		23NOV05	LH	GB	
B		REV ECO-09-024123		02NDV09	LH	RA	
C		REV ECO-10-011451		01JUN2010	LH	RA	

ICON WHEEL,  
VOICE, DATA,  
CATEGORY  
QUANTITY 1

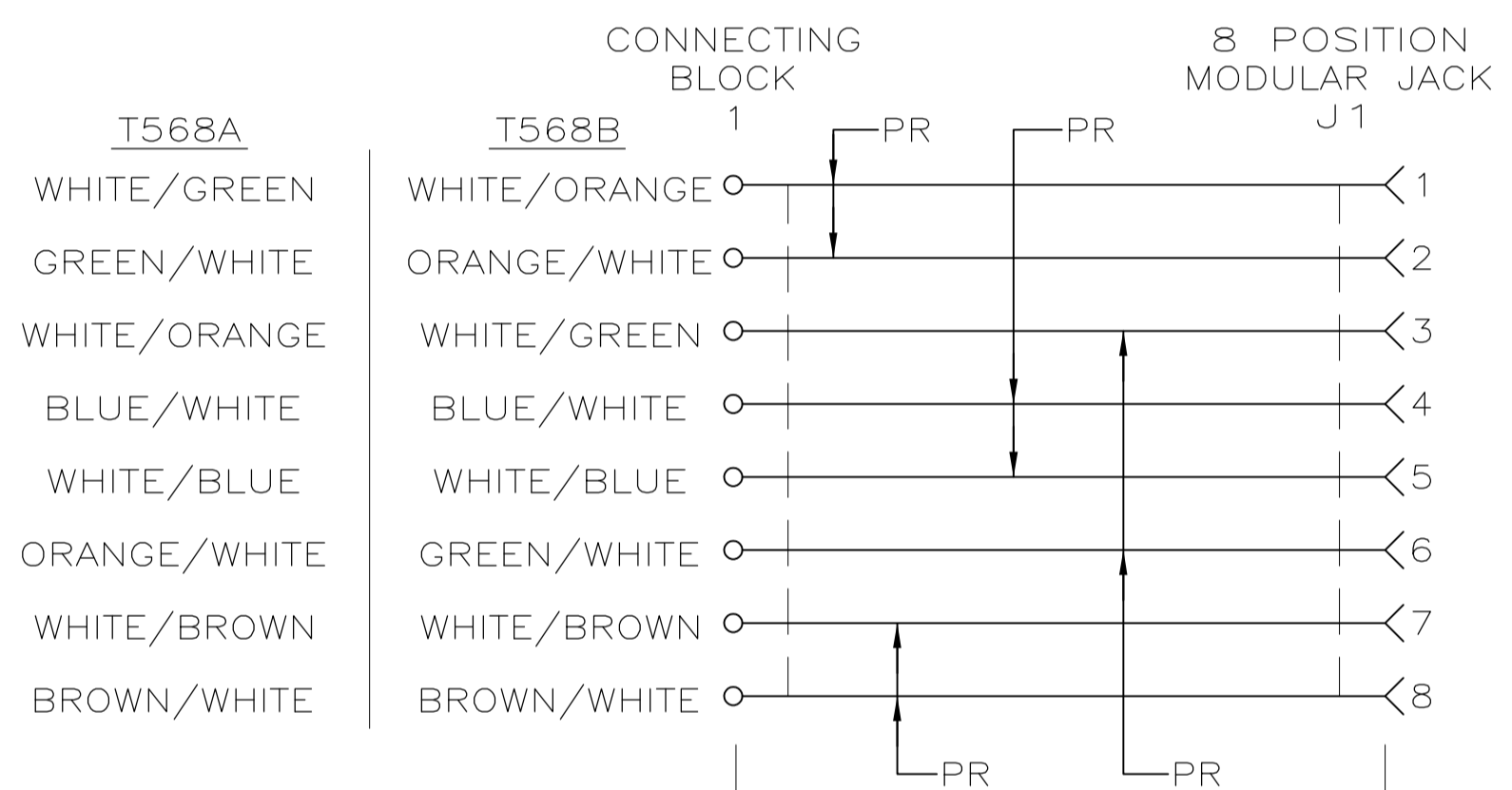
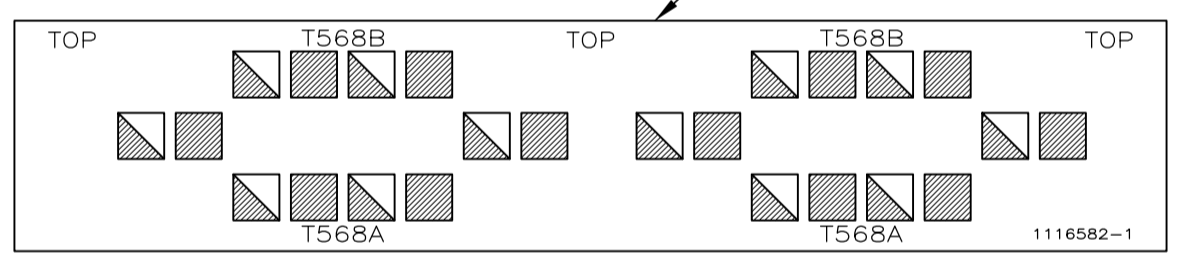


FACEPLATE ASSEMBLY



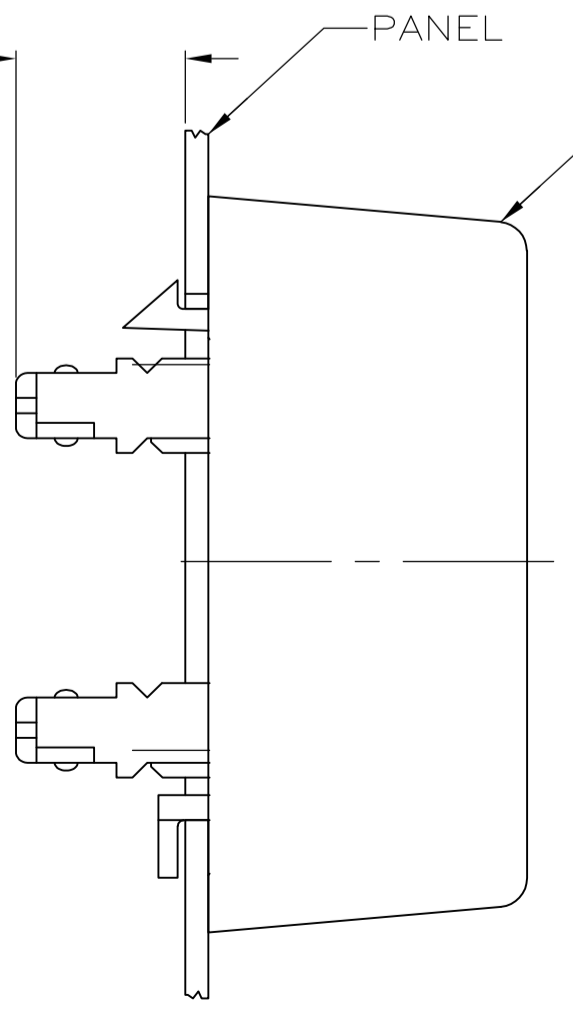
SPACER TUBING  
QUANTITY 2

UNIVERSAL WIRING  
LABEL

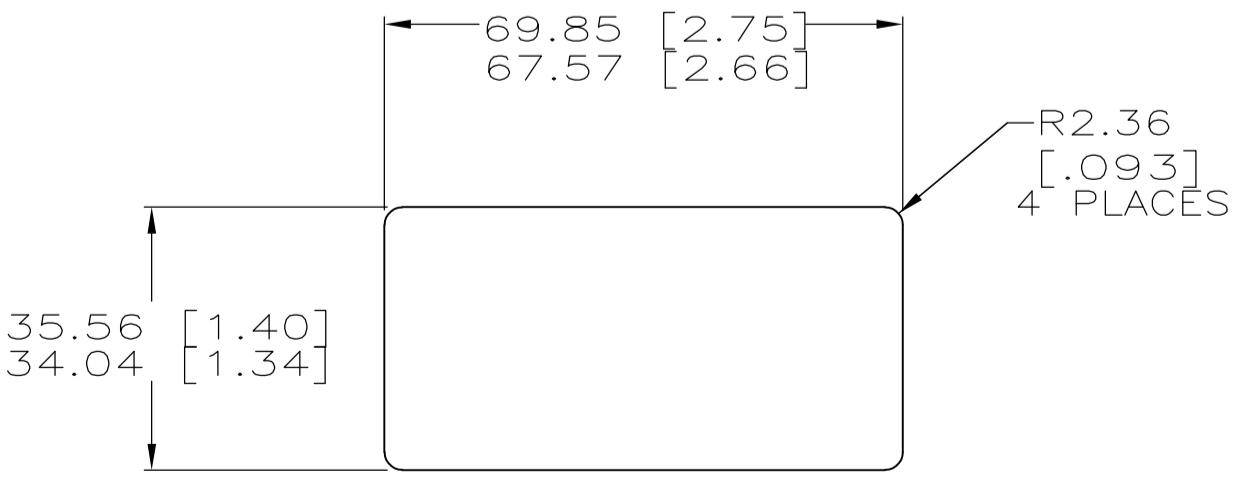


ELECTRICAL SCHEMATIC  
FOR T568A OR T568B  
WIRING PATTERN

11.18 [.44]  
PANEL  
FACEPLATE



SUGGESTED MOUNTING



RECOMMENDED PANEL CUTOUT

NEMA GRAY	1116580-4
LIGHT ALMOND	1116580-2
BLACK	1116580-1
COLOR	PART NO.

THIS DRAWING IS A CONTROLLED DOCUMENT.

DIMENSIONS: mm [INCHES]	TOLERANCES UNLESS OTHERWISE SPECIFIED:	0 PLC ± -	1 PLC ± -	2 PLC ± -	3 PLC ± -	4 PLC ± -	ANGLES ± -
----------------------------	--	-----------	-----------	-----------	-----------	-----------	------------

APPROVED BY: G. ROWMAN	DATE: 13AUG99	DESIGNED BY: G. GARRETT	DATE: 13AUG99
NAME: G. ROWMAN		NAME: G. GARRETT	
APPLICATION SPEC: 408-4549			
SIZE: A1	CAGE CODE: 00779	DRAWING NO: 1116580	RESTRICTED TO: -
CUSTOMER DRAWING		SCALE: 2:1	SHEET 1 OF 1

THIS DRAWING IS UNPUBLISHED. RELEASED FOR PUBLICATION  
 COPYRIGHT BY TYCO ELECTRONICS CORPORATION. ALL RIGHTS RESERVED.

Tyco Electronics Corporation  
 Harrisburg, PA 17105-3608

FACEPLATE KIT, RJ45, 110  
 CONNECT, CAT 5e, FLEXMODE