



Chipsmall Limited consists of a professional team with an average of over 10 year of expertise in the distribution of electronic components. Based in Hongkong, we have already established firm and mutual-benefit business relationships with customers from,Europe,America and south Asia,supplying obsolete and hard-to-find components to meet their specific needs.

With the principle of "Quality Parts,Customers Priority,Honest Operation,and Considerate Service",our business mainly focus on the distribution of electronic components. Line cards we deal with include Microchip,ALPS,ROHM,Xilinx,Pulse,ON,Everlight and Freescale. Main products comprise IC,Modules,Potentiometer,IC Socket,Relay,Connector.Our parts cover such applications as commercial,industrial, and automotives areas.

We are looking forward to setting up business relationship with you and hope to provide you with the best service and solution. Let us make a better world for our industry!



Contact us

Tel: +86-755-8981 8866 Fax: +86-755-8427 6832

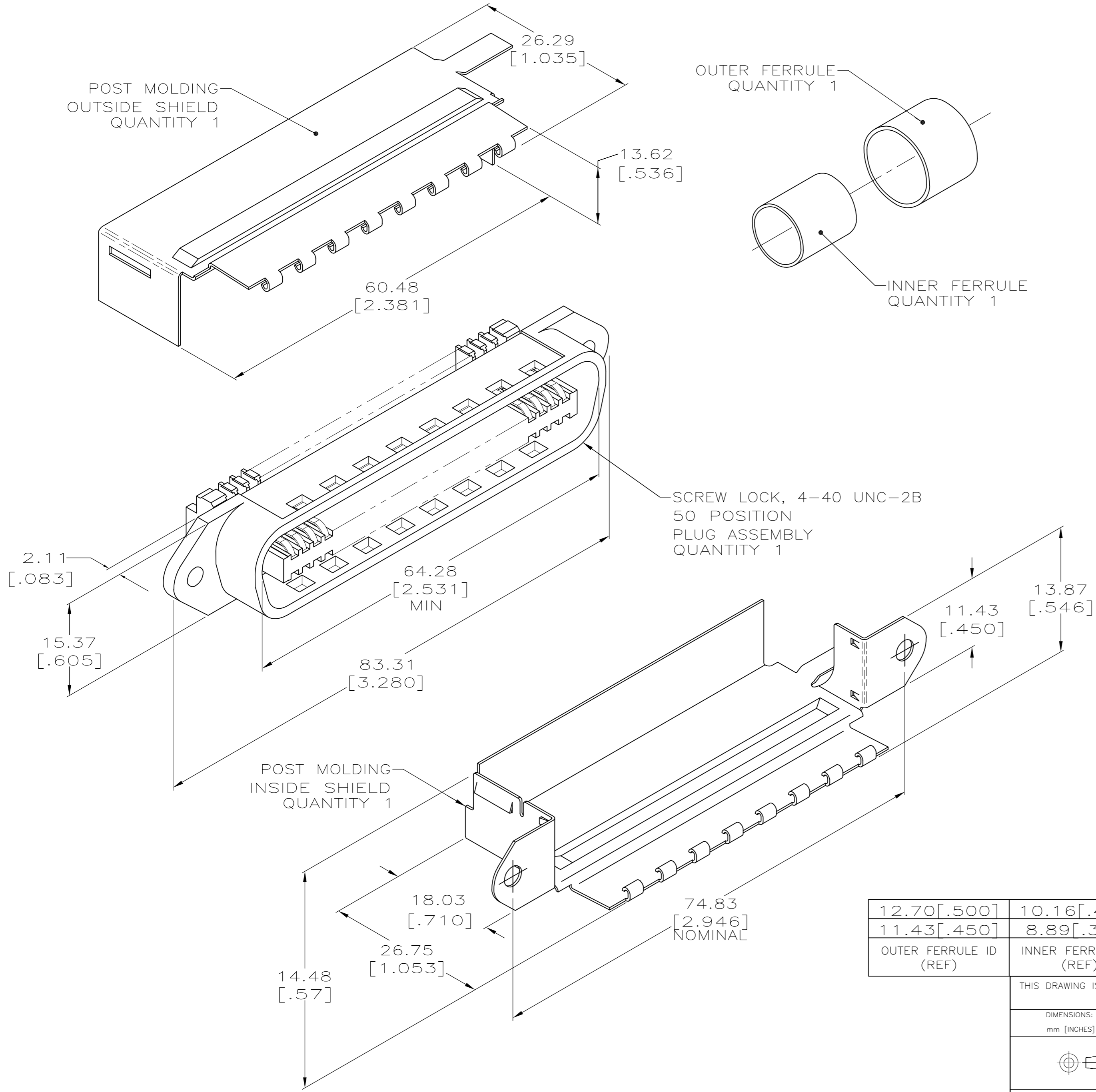
Email & Skype: info@chipsmall.com Web: www.chipsmall.com

Address: A1208, Overseas Decoration Building, #122 Zhenhua RD., Futian, Shenzhen, China



THIS DRAWING IS UNPUBLISHED. RELEASED FOR PUBLICATION
 © COPYRIGHT BY TYCO ELECTRONICS CORPORATION. ALL RIGHTS RESERVED.

LOC		DIST		REVISIONS			
P	LTR	DESCRIPTION		DATE	DWN	APVD	
GP	00	E		REVISED PER ECO-08-007327	02OCT08	BM	WM



- THIS KIT SHIPPED NOT ASSEMBLED.
- ⚠ MATERIAL: PLUG HOUSING – POLYPHENYLENE OXIDE, BLACK.
 TERMINAL – HIGH STRENGTH COPPER ALLOY PLATED WITH EITHER 0.76μm [.000030] MIN GOLD OR GOLD FLASH OVER PALLADIUM NICKEL PLATE, 0.76μm [.000030] MIN TOTAL ON MATING SURFACE, 1.27μm [.000050] MIN NICKEL UNDERPLATE OVER ENTIRE TERMINAL.
 SHIELDS – BRIGHT NICKEL PLATED CARBON STEEL.
 FERRULES – BRASS.
- ⚠ WIRE SIZE: 24 OR 26 AWG SOLID OR 24 AWG 7 STRANDS COPPER CONDUCTORS. MAXIMUM INSULATION DIAMETER OF 1.14[.045] IS ACCEPTABLE FOR MOST APPLICATIONS.
- CENTER-TO-CENTER SPACING OF TERMINALS IS 2.16 [.085] NOMINAL.
- ⚠ BULK PACKAGED 500 KITS PER CONTAINER.
- ⚠ DIMENSIONS ARE MAXIMUM UNLESS OTHERWISE SPECIFIED.

12.70 [.500]	10.16 [.400]	BLACK	B	⚠3	⚠5	1116719-3
11.43 [.450]	8.89 [.350]	BLACK	B	⚠3	⚠5	1116719-1
OUTER FERRULE ID (REF)	INNER FERRULE ID (REF)	HOUSING COLOR	SLOT	WIRE SIZE	PACKAGED	PART NUMBER

THIS DRAWING IS A CONTROLLED DOCUMENT.		DWN DL DRUMMOND 10-JUL-00	Tyco Electronics Corporation Harrisburg, PA 17105-3608			
DIMENSIONS: mm [INCHES]		CHK DL DRUMMOND 13-JUL-00	NAME PLUG KIT, 50 POSITION, POST MOLDING, SHIELDED, 90° SCREW LOCK, CHAMP			
TOLERANCES UNLESS OTHERWISE SPECIFIED:		APVD EW BEILES 13-JUL-00	SIZE A2 CAGE CODE 00779 DRAWING NO C=1116719 RESTRICTED TO			
0 PLC ± -		PRODUCT SPEC	SCALE 2:1 SHEET 1 of 1 REV E			
1 PLC ± -		APPLICATION SPEC				
2 PLC ± - ⚠6		WEIGHT -				
3 PLC ± -		CUSTOMER DRAWING				
4 PLC ± -						
ANGLES ± -						
FINISH ⚠2						