



Chipsmall Limited consists of a professional team with an average of over 10 year of expertise in the distribution of electronic components. Based in Hongkong, we have already established firm and mutual-benefit business relationships with customers from,Europe,America and south Asia,supplying obsolete and hard-to-find components to meet their specific needs.

With the principle of “Quality Parts,Customers Priority,Honest Operation,and Considerate Service”,our business mainly focus on the distribution of electronic components. Line cards we deal with include Microchip,ALPS,ROHM,Xilinx,Pulse,ON,Everlight and Freescale. Main products comprise IC,Modules,Potentiometer,IC Socket,Relay,Connector.Our parts cover such applications as commercial,industrial, and automotives areas.

We are looking forward to setting up business relationship with you and hope to provide you with the best service and solution. Let us make a better world for our industry!



## Contact us

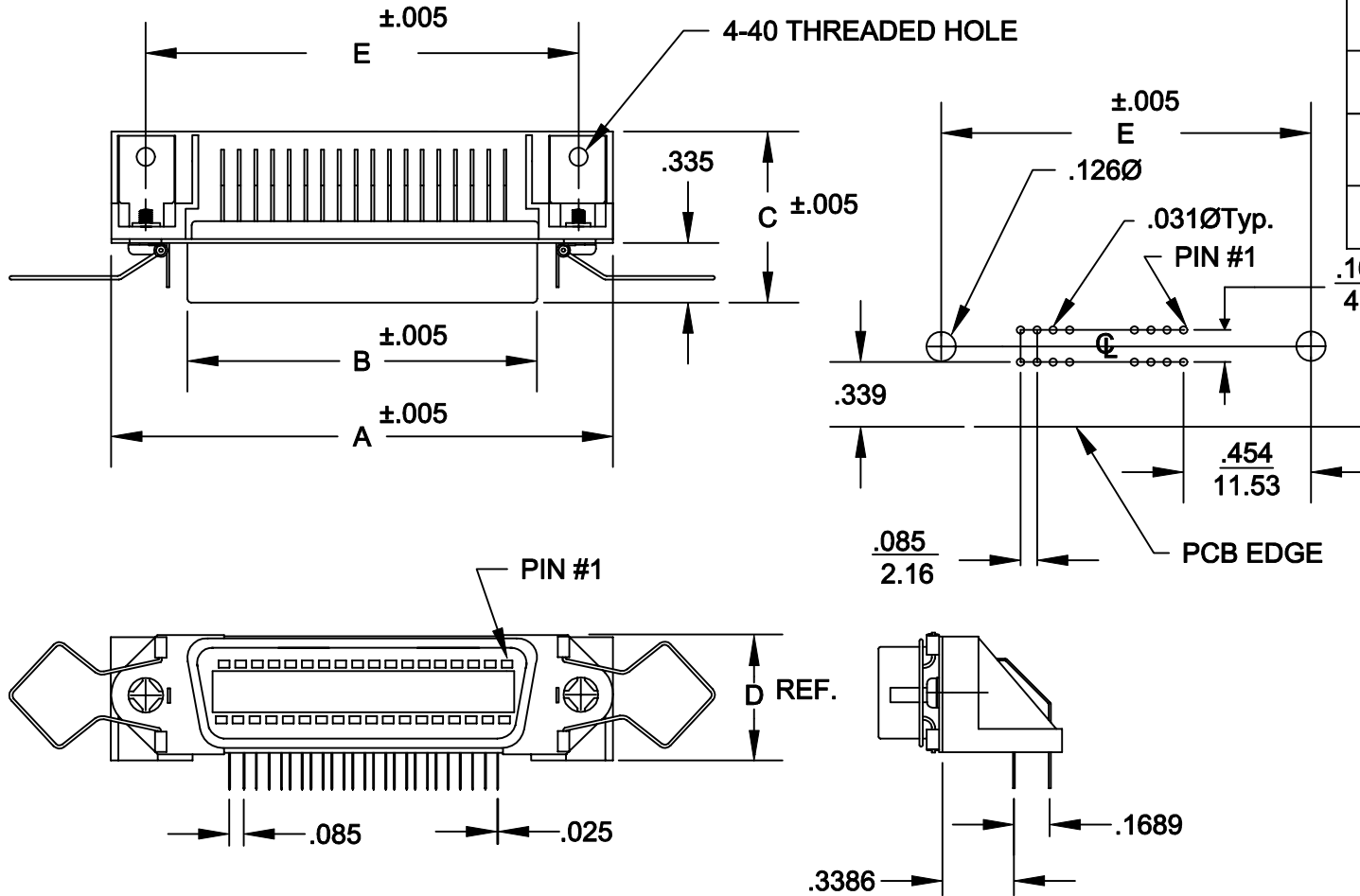
Tel: +86-755-8981 8866 Fax: +86-755-8427 6832

Email & Skype: info@chipsmall.com Web: www.chipsmall.com

Address: A1208, Overseas Decoration Building, #122 Zhenhua RD., Futian, Shenzhen, China



DESCRIPTION: .085" RIBBON FEMALE R/A BOARD MOUNT



	A	B	C	D	E
14	1.721	1.992	.969	.610	1.417
	43.70	25.20	24.60	15.50	35.99
24	2.146	1.417	.969	.610	1.842
	54.50	36.00	24.60	15.50	46.79
36	2.662	1.925	.969	.610	2.352
	67.60	48.90	24.60	15.50	59.74
50	3.260	2.520	.969	.610	2.947
	82.80	64.00	24.60	15.50	74.85

112-XXX-213-001

SERIES \_\_\_\_\_

POSITIONS \_\_\_\_\_

014 \_\_\_\_\_

024 \_\_\_\_\_

036 \_\_\_\_\_

050 \_\_\_\_\_

GENDER \_\_\_\_\_

2 = FEMALE

TERMINATION \_\_\_\_\_

1 = DIP SOLDER

SHELL PLATING \_\_\_\_\_

3 = NICKEL

HARDWARE OPTIONS \_\_\_\_\_


00 = 4-40 THREAD PCB

PLATING OPTIONS \_\_\_\_\_

01 = GOLD FLASH

**MATERIALS:**  
**SHELL: STEEL, ZINC PLATED**  
**INSULATOR: GLASSFILLED THERMOPLASTIC - UL RATED 94V-0**  
**CONTACTS: PHOSPHOR BRONZE - GOLD FLASH PLATING**

**ELECTRICALS:**  
**CONTACT CURRENT RATING: 5 AMPS**  
**DIELECTRIC STRENGTH: 100V FOR ONE MINUTE**  
**INSULATION RESISTANCE: 1000 MOHMS MINIMUM**  
**AT 500V DC**  
**OPERATING TEMPERATURE: -55°C TO +105°C**

	THESE DRAWINGS AND SPECIFICATIONS ARE THE PROPERTY OF NorComp AND SHALL NOT BE REPRODUCED, COPIED OR USED AS THE BASIS FOR THE MANUFACTURE OF SALE OF APPARATUS WITHOUT WRITTEN PERMISSION.	DRAWN: <b>WAYNE ROBBINS</b> DATE: <b>9-21-98</b>
		CHECKED: _____ DATE: _____
<h1>NorComp</h1>		SCALE: 1:1      SHEET 1 OF 1      REV 8
		DWG NO. 112-XXX-213-001