



Chipsmall Limited consists of a professional team with an average of over 10 year of expertise in the distribution of electronic components. Based in Hongkong, we have already established firm and mutual-benefit business relationships with customers from,Europe,America and south Asia,supplying obsolete and hard-to-find components to meet their specific needs.

With the principle of “Quality Parts,Customers Priority,Honest Operation,and Considerate Service”,our business mainly focus on the distribution of electronic components. Line cards we deal with include Microchip,ALPS,ROHM,Xilinx,Pulse,ON,Everlight and Freescale. Main products comprise IC,Modules,Potentiometer,IC Socket,Relay,Connector.Our parts cover such applications as commercial,industrial, and automotives areas.

We are looking forward to setting up business relationship with you and hope to provide you with the best service and solution. Let us make a better world for our industry!



Contact us

Tel: +86-755-8981 8866 Fax: +86-755-8427 6832

Email & Skype: info@chipsmall.com Web: www.chipsmall.com

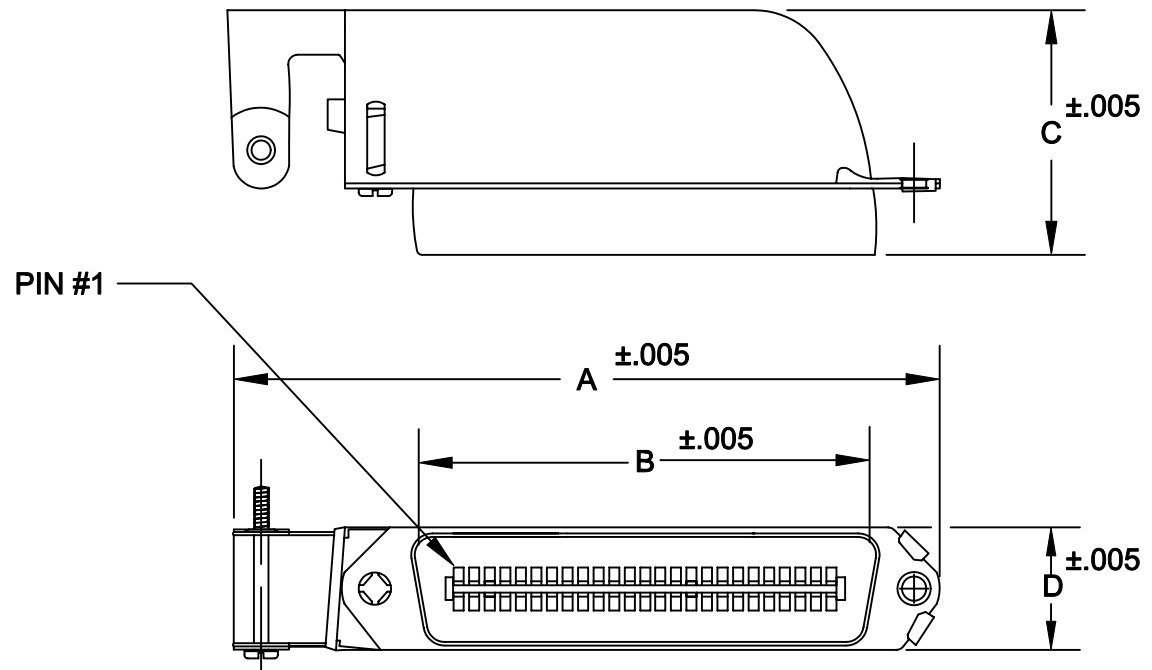
Address: A1208, Overseas Decoration Building, #122 Zhenhua RD., Futian, Shenzhen, China



DESCRIPTION: SCSI 1 MALE RIGHT ANGLE CONNECTOR/BACKSHELL KIT

A B C D

36	DISCONTINUED			
50	3.780	2.538	1.325	.646
	96.00	64.47	33.65	16.40



**KIT INCLUDES:
SOLDER CUP CONNECTOR
BACKSHELL/HARDWARE**

112-XXX-103L011

SERIES _____
 POSITIONS _____
 050
 GENDER _____
 1 = MALE
 TERMINATION _____
 0 = SOLDER CUP
 SHELL PLATING _____
 3 = NICKEL
 HARDWARE OPTIONS _____
 01 = PIN #1 AT CABLE ENTRY
 PLATING OPTIONS _____
 01 = GOLD FLASH


MATERIALS:

**INSULATOR: GLASS-FILLED THERMOPLASTIC
 UL RATED 94V-0
 CONTACTS: COPPER ALLOY
 SHELL: STEEL, NICKEL PLATED
 CONTACT PLATING: GOLD PLATED
 RoHS COMPLIANT**

NOTE: PLEASE NOTE ORIENTATION OF CONNECTOR IN REGARDS TO CABLE ENTRY.

ELECTRICALS:

**CONTACT CURRENT RATING: 5 AMPS
 DIELECTRIC WITHSTANDING VOLTAGE: AC 1200 R.M.S.
 INSULATION RESISTANCE: 1000 mohms MINIMUM AT 500V DC
 CONTACT RESISTANCE: 30 mOHMS MAXIMUM
 OPERATING TEMPERATURE: -55°C TO +125°C**

	THESE DRAWINGS AND SPECIFICATIONS ARE THE PROPERTY OF NorComp AND SHALL NOT BE REPRODUCED, COPIED OR USED AS THE BASIS FOR THE MANUFACTURE OF SALE OF APPARATUS WITHOUT WRITTEN PERMISSION.		DRAWN: WAYNE ROBBINS	DATE: 9-25-98
			CHECKED:	DATE:
NorComp		SCALE: 1:1	SHEET 1 OF 1	REV 3
		DWG NO. 112-XXX-103L011		