



Chipsmall Limited consists of a professional team with an average of over 10 year of expertise in the distribution of electronic components. Based in Hongkong, we have already established firm and mutual-benefit business relationships with customers from,Europe,America and south Asia,supplying obsolete and hard-to-find components to meet their specific needs.

With the principle of “Quality Parts,Customers Priority,Honest Operation,and Considerate Service”,our business mainly focus on the distribution of electronic components. Line cards we deal with include Microchip,ALPS,ROHM,Xilinx,Pulse,ON,Everlight and Freescale. Main products comprise IC,Modules,Potentiometer,IC Socket,Relay,Connector.Our parts cover such applications as commercial,industrial, and automotives areas.

We are looking forward to setting up business relationship with you and hope to provide you with the best service and solution. Let us make a better world for our industry!



Contact us

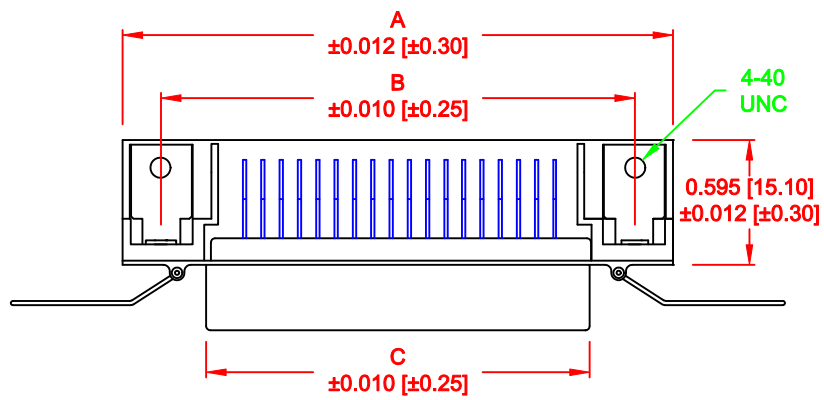
Tel: +86-755-8981 8866 Fax: +86-755-8427 6832

Email & Skype: info@chipsmall.com Web: www.chipsmall.com

Address: A1208, Overseas Decoration Building, #122 Zhenhua RD., Futian, Shenzhen, China



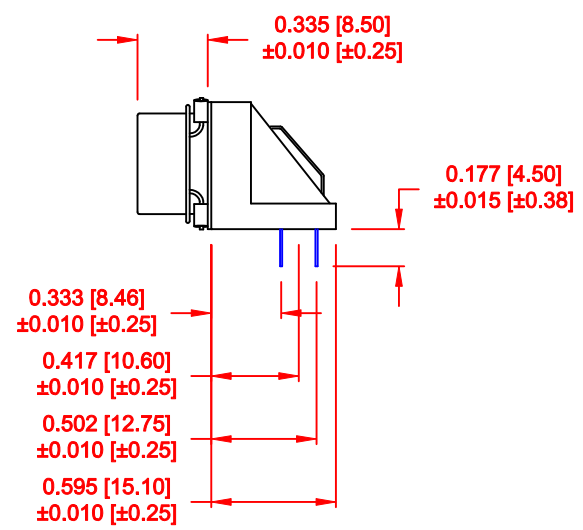
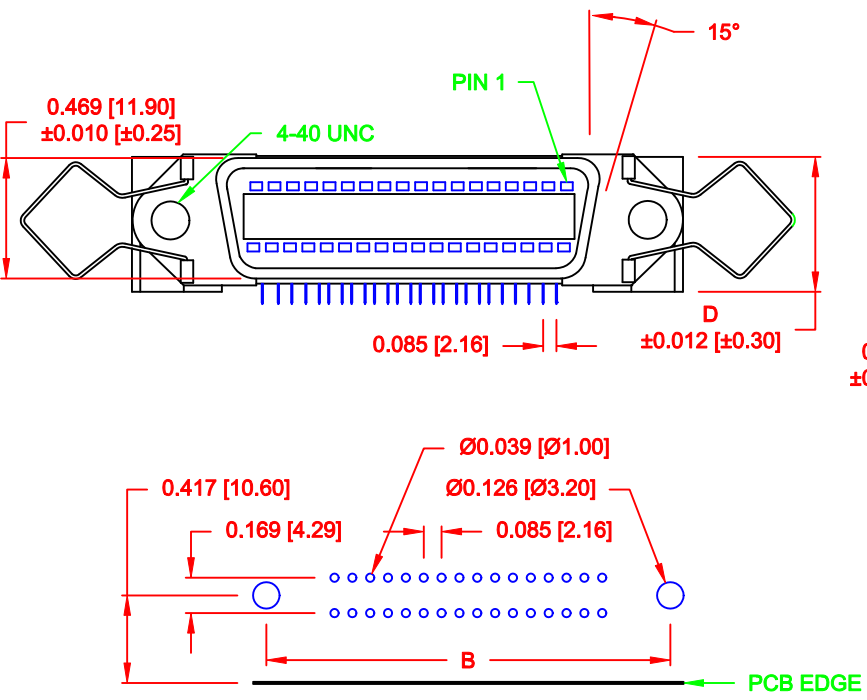
DESCRIPTION: .085" RIBBON FEMALE R/A BOARD MOUNT



No. OF PINS	DIMENSIONS			
	A	B	C	D
14	1.728	1.417	0.992	0.602
	43.90	36.00	25.20	15.30
24	2.154	1.843	1.417	0.600
	54.70	46.80	36.00	15.25
36	2.667	2.352	1.925	0.600
	67.75	59.74	48.90	15.25
50	3.272	2.947	2.524	0.600
	83.10	74.85	64.10	15.25

MATERIAL:
 COLD ROLLED STEEL,
 NICKEL PLATED
 PBT UL 94V-0 RATED
 PHOSPHOR BRONZE OR BRASS,
 GOLD FLASH

SPECIFICATION:
 CURRENT RATING: 1 AMP
 INSULATION RESISTANCE: 1,000 MegOhms min. AT 500VDC
 WITHSTANDING VOLTAGE: 1,000VAC FOR 1 MINUTE
 CONTACT RESISTANCE: 30 milliOhms max.
 OPERATING TEMPERATURE: -55° C TO 105° C
 INSERTION FORCE: 25 Lb. max.
 WITHDRAWAL FORCE: 2 Lb. min.





112-YYY-2 1 3 R 00 1

SERIES
 POSITIONS
 014
 024
 036
 050
 GENDER
 2 = FEMALE
 TERMINATION
 1 = DIP SOLDER
 SHELL PLATING
 3 = NICKEL PLATED
 RoHS COMPLIANT
 (HIGH TEMP. PROCESS)
 HARDWARE OPTIONS
 00 = 4-40 THREAD PCB
 PLATING OPTIONS
 1 = GOLD FLASH

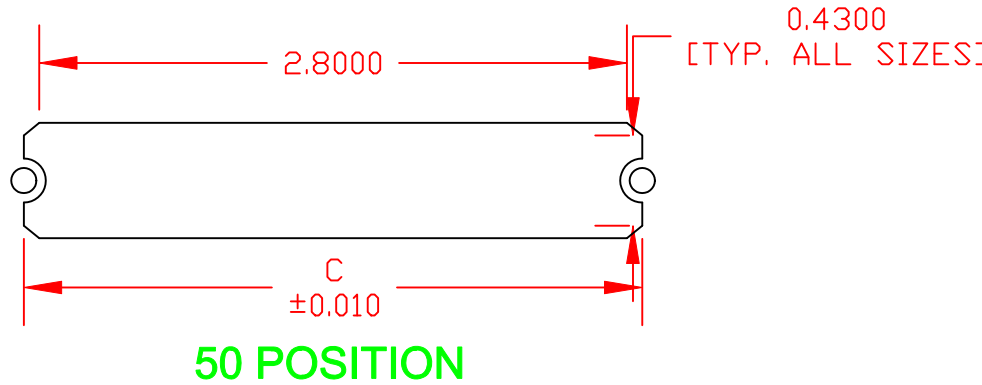
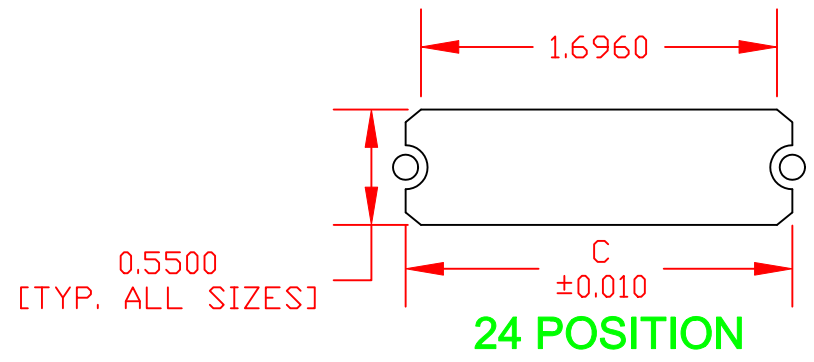
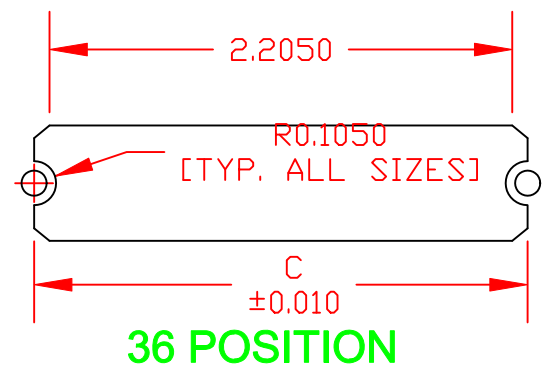
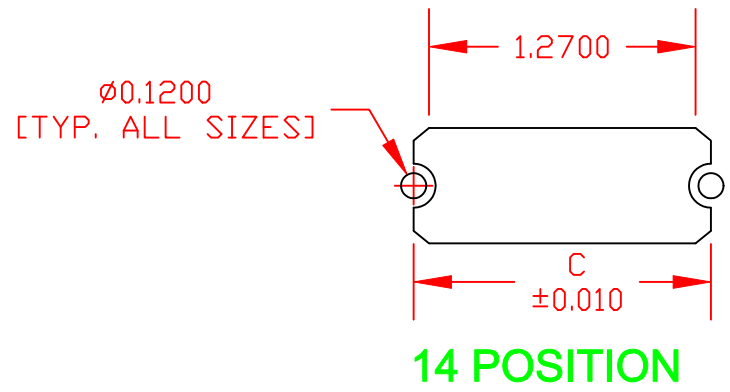
DO NOT SCALE FROM DRAWING

RECOMMENDED PCB LAYOUT

RoHS COMPLIANT

	THESE DRAWINGS AND SPECIFICATIONS ARE THE PROPERTY OF NorComp AND SHALL NOT BE REPRODUCED, COPIED OR USED AS THE BASIS FOR THE MANUFACTURE OR SALE OF APPARATUS WITHOUT WRITTEN PERMISSION.		DRAWN: WAYNE ROBBINS	DATE: 9-15-05
			CHECKED:	DATE:
		SCALE: 1:1	SHEET 1 OF 2	REV 5
		DWG NO. 112-YYY-213R001		



	014	024	036	050
C	1.417	1.843	2.352	2.947
	36.00	46.80	59.74	74.85



*****NOTE*** DIMENSION "C" =
 CENTER TO CENTER OF MOUNTING HOLES
 CENTER OF RADI
 OVERALL LENGTH OF CUTOUT**

DO NOT SCALE FROM DRAWING

RoHS COMPLIANT

	THESE DRAWINGS AND SPECIFICATIONS ARE THE PROPERTY OF NorComp AND SHALL NOT BE REPRODUCED, COPIED OR USED AS THE BASIS FOR THE MANUFACTURE OF SALE OF APPARATUS WITHOUT WRITTEN PERMISSION.	DRAWN: M. SIGMON	DATE: 01-14-11	
		CHECKED:	DATE:	
		SCALE: NONE	SHEET 2 OF 2	REV 5
		DWG NO. 112-YYY-213R001		