



Chipsmall Limited consists of a professional team with an average of over 10 year of expertise in the distribution of electronic components. Based in Hongkong, we have already established firm and mutual-benefit business relationships with customers from,Europe,America and south Asia,supplying obsolete and hard-to-find components to meet their specific needs.

With the principle of “Quality Parts,Customers Priority,Honest Operation,and Considerate Service”,our business mainly focus on the distribution of electronic components. Line cards we deal with include Microchip,ALPS,ROHM,Xilinx,Pulse,ON,Everlight and Freescale. Main products comprise IC,Modules,Potentiometer,IC Socket,Relay,Connector.Our parts cover such applications as commercial,industrial, and automotives areas.

We are looking forward to setting up business relationship with you and hope to provide you with the best service and solution. Let us make a better world for our industry!



## Contact us

Tel: +86-755-8981 8866 Fax: +86-755-8427 6832

Email & Skype: info@chipsmall.com Web: www.chipsmall.com

Address: A1208, Overseas Decoration Building, #122 Zhenhua RD., Futian, Shenzhen, China



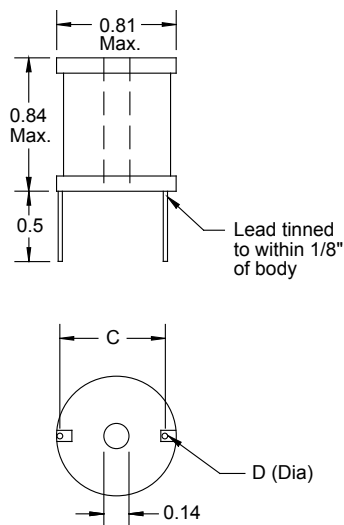
# High Current RF Chokes

## Special Features

- Very high current capacity
- Low DCR
- Epoxy coated ferrite bobbin core
- VW-1 rated shrink tubing to cover winding
- Self-leaded
- Fixed lead spacing
- Center hole for mechanical mounting
- Dielectric withstanding voltage:  
2500VRMS terminal to shrink tube cover;  
1000VRMS terminal to core
- Operating temperature -55 to +105°C

## Notes

- \* Rated current to cause 50°C max. temperature rise and 5% max. inductance drop



Dimensions: Inches

1120 Series					
Part Number	L (μH) ±20% @ 1KHz	DCR Ω Max.	I <sub>dc</sub> * (A)	Dim. C Approx.	Dim. D Nom.
1120-1R0M	1.0	0.003	11.4	0.63	0.072
1120-1R2M	1.2	0.003	11.4	0.63	0.072
1120-1R5M	1.5	0.003	11.4	0.63	0.072
1120-1R8M	1.8	0.003	11.4	0.63	0.072
1120-2R2M	2.2	0.004	11.4	0.63	0.072
1120-2R7M	2.7	0.005	11.4	0.63	0.064
1120-3R3M	3.3	0.005	11.4	0.63	0.064
1120-3R9M	3.9	0.005	11.4	0.63	0.064
1120-4R7M	4.7	0.005	11.4	0.63	0.064
1120-5R6M	5.6	0.006	11.4	0.63	0.064
1120-6R8M	6.8	0.007	11.4	0.63	0.064
1120-8R2M	8.2	0.007	11.4	0.63	0.064
	± 10%				
1120-100K	10	0.009	11.4	0.63	0.064
1120-120K	12	0.009	11.4	0.63	0.057
1120-150K	15	0.013	9	0.63	0.057
1120-180K	18	0.018	7.2	0.63	0.051
1120-220K	22	0.019	7.2	0.63	0.051
1120-270K	27	0.026	5.5	0.63	0.051
1120-330K	33	0.029	5.5	0.60	0.045
1120-390K	39	0.030	5.5	0.60	0.045
1120-470K	47	0.035	5.5	0.62	0.045
1120-560K	56	0.039	5.5	0.62	0.040
1120-680K	68	0.053	4.8	0.62	0.040
1120-820K	82	0.060	4.8	0.62	0.040
1120-101K	100	0.080	4	0.62	0.036
1120-121K	120	0.090	4	0.62	0.036
1120-151K	150	0.098	4	0.62	0.032
1120-181K	180	0.110	4	0.62	0.032
1120-221K	220	0.150	2.8	0.62	0.032
1120-271K	270	0.213	2	0.60	0.029
1120-331K	330	0.305	1.6	0.60	0.029
1120-391K	390	0.320	1.6	0.60	0.025
1120-471K	470	0.355	1.6	0.60	0.025
1120-561K	560	0.388	1.6	0.60	0.025
1120-681K	680	0.430	1.6	0.60	0.025
1120-821K	820	0.590	1.3	0.60	0.023
1120-102K	1000	0.818	1	0.60	0.020
1120-122K	1200	1.14	0.8	0.60	0.020
1120-152K	1500	1.26	0.8	0.60	0.020
1120-182K	1800	1.39	0.8	0.60	0.018
1120-222K	2200	1.54	0.8	0.60	0.018

Also available as RoHS compliant.

**J.W. Miller**  
MAGNETICS

306 E. Alondra Blvd. Gardena, CA 90247-1059 • Phone (310) 515-1720 • FAX (310) 515-1962