



Chipsmall Limited consists of a professional team with an average of over 10 year of expertise in the distribution of electronic components. Based in Hongkong, we have already established firm and mutual-benefit business relationships with customers from,Europe,America and south Asia,supplying obsolete and hard-to-find components to meet their specific needs.

With the principle of “Quality Parts,Customers Priority,Honest Operation,and Considerate Service”,our business mainly focus on the distribution of electronic components. Line cards we deal with include Microchip,ALPS,ROHM,Xilinx,Pulse,ON,Everlight and Freescale. Main products comprise IC,Modules,Potentiometer,IC Socket,Relay,Connector.Our parts cover such applications as commercial,industrial, and automotives areas.

We are looking forward to setting up business relationship with you and hope to provide you with the best service and solution. Let us make a better world for our industry!



## Contact us

Tel: +86-755-8981 8866 Fax: +86-755-8427 6832

Email & Skype: info@chipsmall.com Web: www.chipsmall.com

Address: A1208, Overseas Decoration Building, #122 Zhenhua RD., Futian, Shenzhen, China





# SST™-PB3-CPX Master/Slave Modules for PROFIBUS\*

**molex**®

SST™-PB3-CPX Master/Slave Modules connect Rockwell Automation CompactLogix L2, L3 and L4 controllers to PROFIBUS\* DP-V0, DP-V1 networks, enabling high-performance, low-cost solutions for industrial automation applications

## Features and Benefits

Can be configured as PROFIBUS\* Master, Slave or Master/Slave

Delivers an extremely flexible design. Reduces inventory and spares. Easy to spec in.

10/100 Mb Ethernet port

Enables fast downloads, remote connections/monitoring. Provides backplane or front-module configuration options. Accommodates low-cost cable

Up to 1,984 input bytes and 1,968 output bytes per Master

Suitable for large PROFIBUS networks

PROFIBUS port has 1,000-volt electrical isolation

Ensures robust and reliable network with high immunity to electrical noise

MicroSD card slot (8 GB MicroSD card included)

Facilitates easy module swap-out

MTBF of 181 years

Provides reliable, trouble-free usage



SST™-PB3-CPX PROFIBUS\* Master/Slave Module

## Applications

- Marine
- Packaging
- Agro-Food
- Mining
- Automotive



# SST™-PB3-CPX Master/Slave Modules for PROFIBUS\*



## Specifications

### Description

LINK, SPEED, SD, OK, STATE, FAULT LEDs provide 29 visual fault/state indications  
 Changes to PROFIBUS\* configuration with PLC in RUN mode  
 Autoscan network supported  
 Support multiple modules in rack  
 Supports CompactLogix† L2 and L3 processor, rev. 15 and higher, L4 rev. 20 and higher  
 Master, 1,984 Input Bytes, 1,968 Output Bytes  
 Slave, 244 Input Bytes, 244 Output Bytes  
 One 10/100 Mbps Ethernet port, RJ-45, configuration and diagnostics  
 Firmware upgradeable

OS supported: Windows XP, 7 (32, 64-bit); Vista, 8 (32, 64-bit)  
 Operating Temperatures: 0 to 60°C  
 Storage Temperatures: -40 to 85°C  
 Relative Humidity: 5 to 95%, non-condensing  
 Acyclic communications (DPV1), Read and Write  
 One PROFIBUS port, DB9 female,  
 Galvanic isolation 1000V  
 PROFIBUS speed: 9.6 Kbps up to 12 Mbps  
 MTBF: 181 years at 25°C  
 Maximum Distance Rating: 4 slots  
 Maximum 125 Slaves supported  
 Status data: 250 words

### Included Hardware/Software

One, SST™-PB3-CPX Universal PROFIBUS Module  
 One, 8 GB MicroSD card  
 One, Product CD (engineering tools, configuration console)

### Compatible Protocols

Master DP-V0 Class-1 and Class-2  
 Master DP-V1 Class-1 and Class-2  
 Slave DP-V0

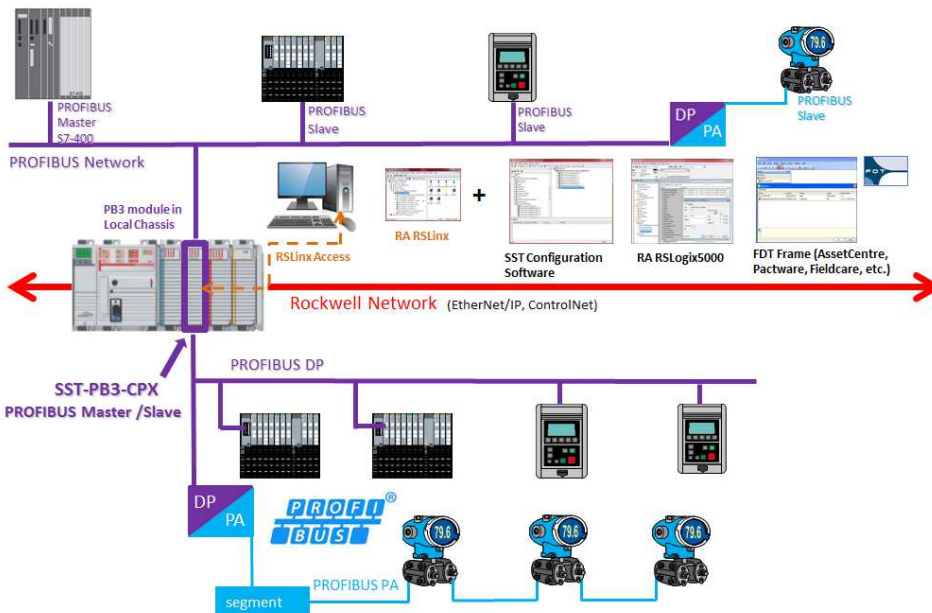
### Conformance

RoHS compliant  
 CE Certified  
 ATEX  
 FCC  
 Korea CC  
 UL Class I Div 2 Groups A, B, C, D  
 PI Certified

## Ordering Information

Order No.	Product Name	Module
<a href="#">112016-0028</a>	SST-PB3-CPX	SST™ PROFIBUS* Master and Slave Communication Module for Rockwell Automation CompactLogix†, includes Remote Link Library

## Universal PROFIBUS\* Module, SST-PB3-CPX, Networking Capabilities Diagram



\*PROFIBUS is a trademark of PROFIBUS International  
 †CompactLogix is a registered trademark of Rockwell Automation, Inc.

[www.molex.com/link/sstcommunicationmodules.html](http://www.molex.com/link/sstcommunicationmodules.html)