



Chipsmall Limited consists of a professional team with an average of over 10 year of expertise in the distribution of electronic components. Based in Hongkong, we have already established firm and mutual-benefit business relationships with customers from,Europe,America and south Asia,supplying obsolete and hard-to-find components to meet their specific needs.

With the principle of “Quality Parts,Customers Priority,Honest Operation,and Considerate Service”,our business mainly focus on the distribution of electronic components. Line cards we deal with include Microchip,ALPS,ROHM,Xilinx,Pulse,ON,Everlight and Freescale. Main products comprise IC,Modules,Potentiometer,IC Socket,Relay,Connector.Our parts cover such applications as commercial,industrial, and automotives areas.

We are looking forward to setting up business relationship with you and hope to provide you with the best service and solution. Let us make a better world for our industry!



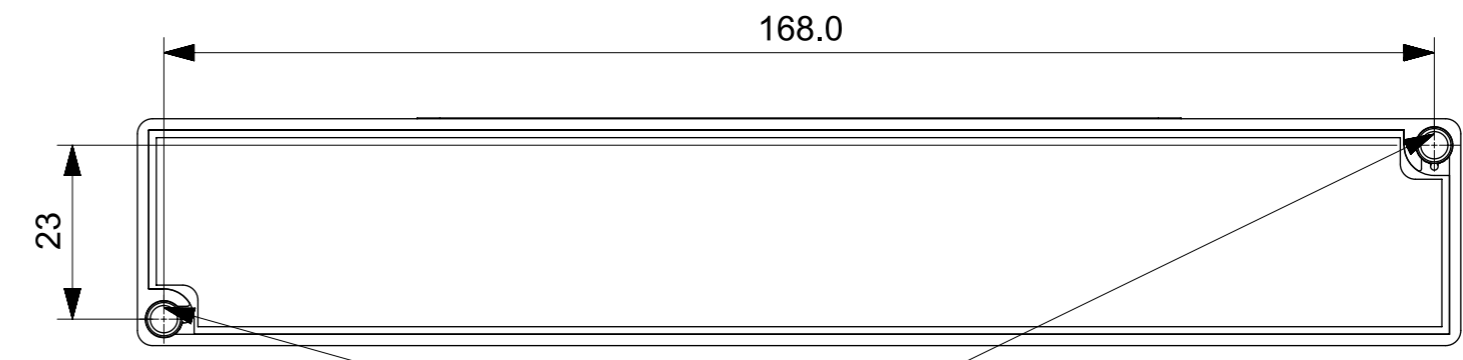
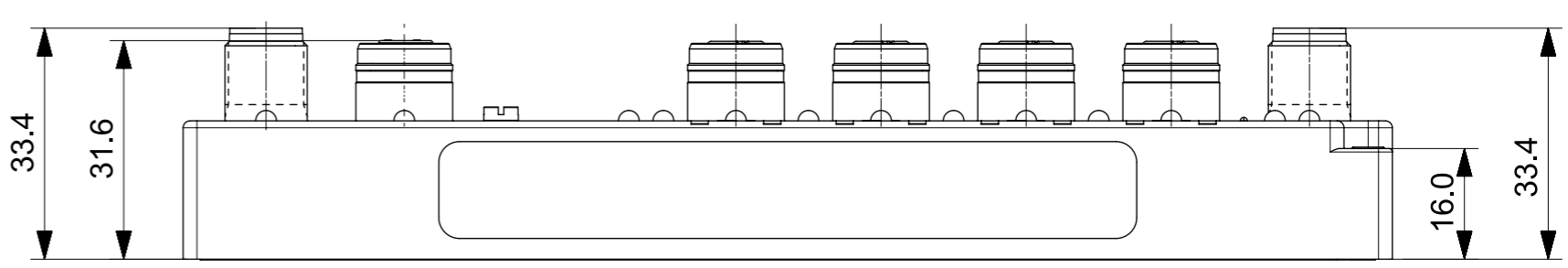
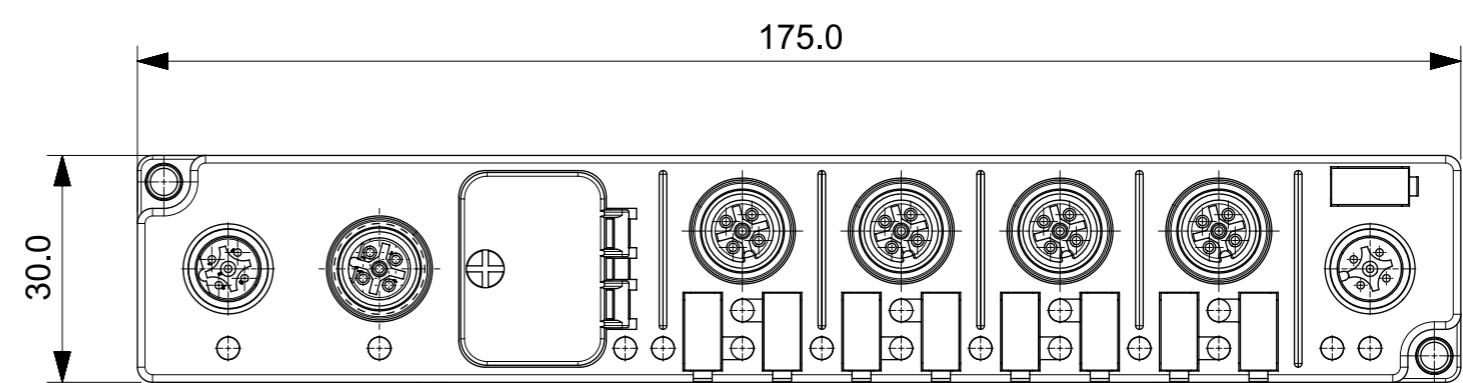
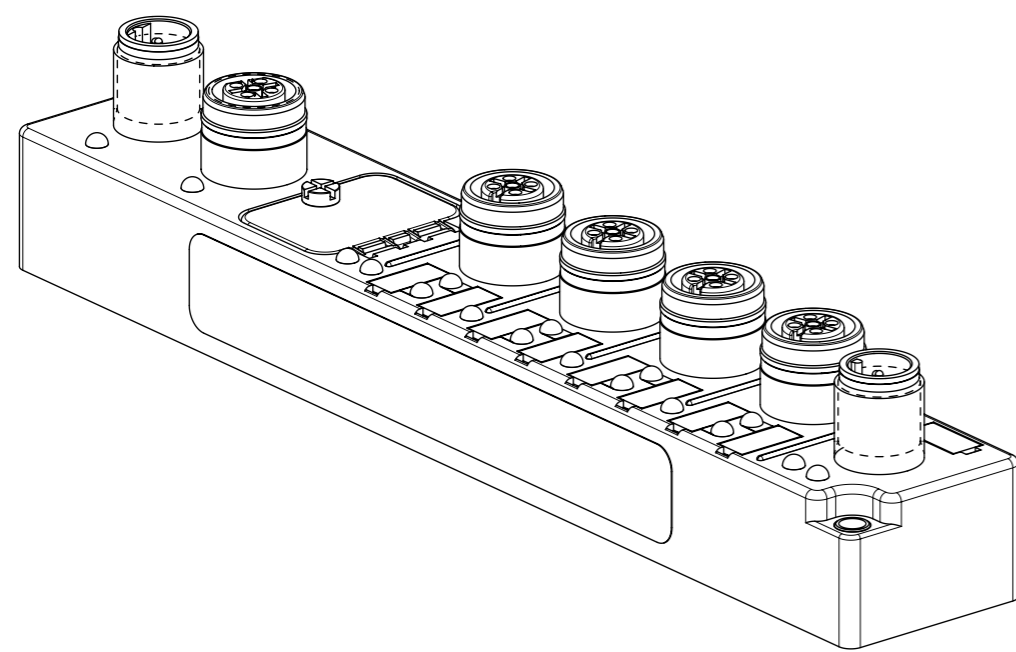
## Contact us

Tel: +86-755-8981 8866 Fax: +86-755-8427 6832

Email & Skype: info@chipsmall.com Web: www.chipsmall.com

Address: A1208, Overseas Decoration Building, #122 Zhenhua RD., Futian, Shenzhen, China





2x FIXING HOLES  
SUITABLE FOR M4  
SCREWS

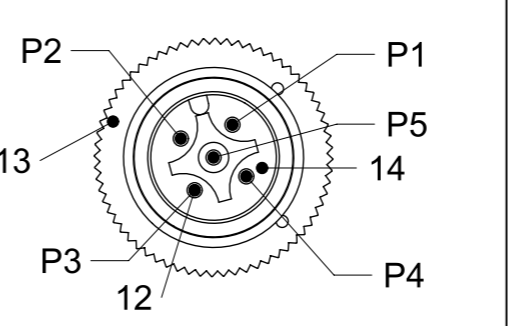
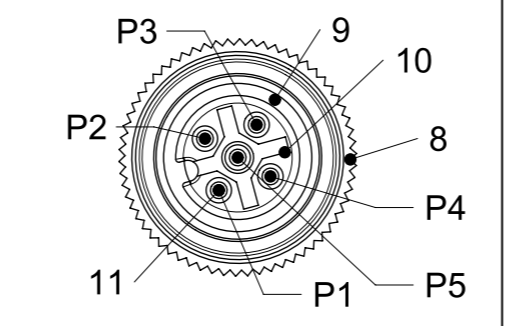
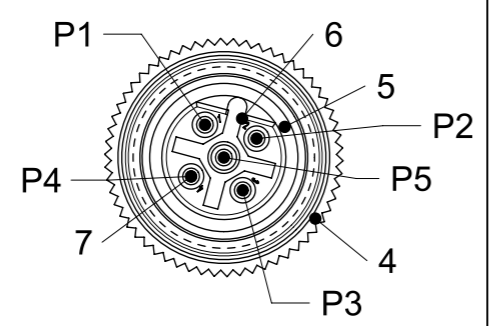
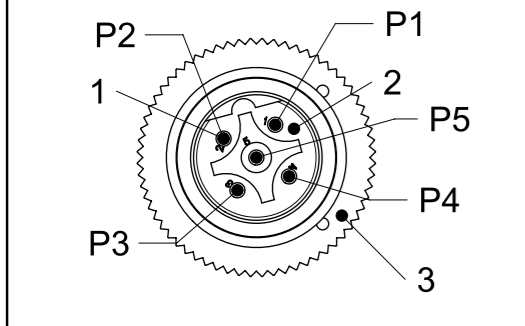
THIS DRAWING CONTAINS INFORMATION THAT IS PROPRIETARY TO MOLEX ELECTRONIC TECHNOLOGIES, LLC AND SHOULD NOT BE USED WITHOUT WRITTEN PERMISSION										
<b>QUALITY SYMBOLS</b> ▽A = 0 ▽E = 0 ▽F = 0 ▼ = 0 ▽C = 0 ⊠ = 0 ■ = 0 ▽ = 0	2015/09/30	2015/10/23	GENERAL TOLERANCES (UNLESS SPECIFIED)		DIMENSION UNITS	SCALE				
	EC NO: 101496 DRWN: AAHLERS CHK'D: APPR: RSILLER	REV: A3	RSILLER	ANGULAR TOL ± °		MM				1:1
				4 PLACES ±		DRWN BY	DATE			
				3 PLACES ±		ULETTENMEIER	2015/01/26	PRODUCT CUSTOMER DRAWING		
				2 PLACES ±		CHK'D BY	DATE			
1 PLACE ± 0.3		RSILLER	2015/05/20	SERIES	MATERIAL NUMBER	CUSTOMER				
0 PLACES ± 0.5				112038	SEE TABLE 1	GENERAL MARKET				
DRAFT WHERE APPLICABLE MUST REMAIN WITHIN DIMENSIONS			DRAWING SIZE	THIRD ANGLE PROJECTION	DOCUMENT NUMBER		DOC TYPE	DOC PART	SHEET NUMBER	
			A3		1120380003		PSD	000	1 OF 3	

**A**  
BUS:  
1x MALE M12 5P B-CODE

**B**  
BUS:  
1x FEMALE M12 5P B-CODE

**C**  
OUTPUT / OUTPUT:  
4X FEMALE M12 5P A-CODE

**D**  
POWER:  
1x MALE M12 5P AC-CODE



WIRING INFORMATION:  
P1 - Power 5 VDC  
P2 - BUS A  
P3 - Ground  
P4 - BUS B  
P5 - Shield/PE

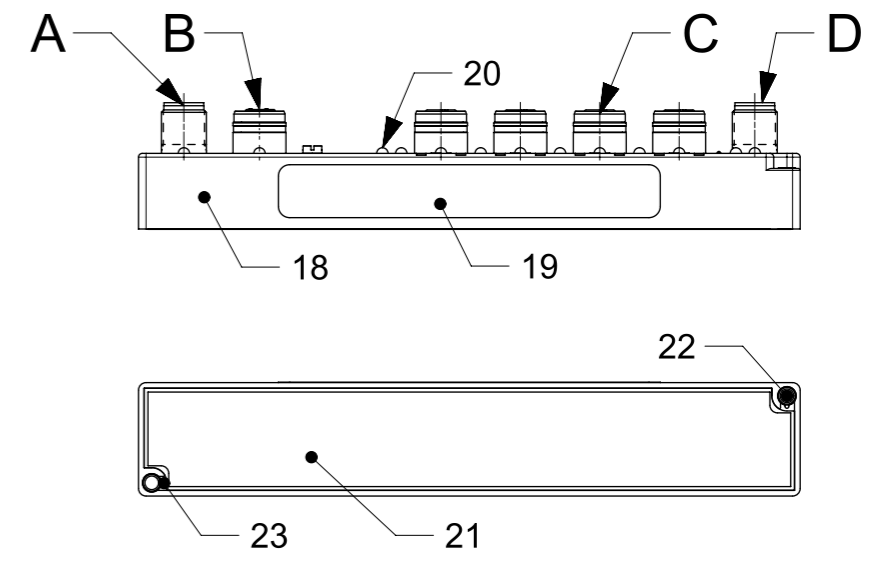
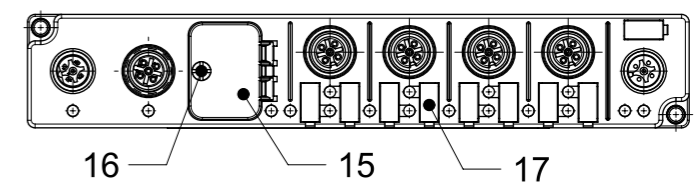
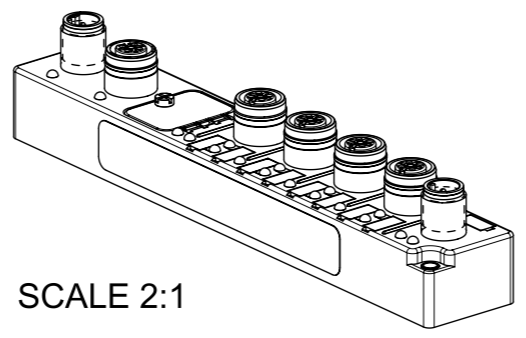
WIRING INFORMATION:  
P1 - Power 5 VDC  
P2 - BUS A  
P3 - Ground  
P4 - BUS B  
P5 - Shield/PE

WIRING INFORMATION:  
P1 - +24VDC  
P2 - B Input or Output  
P3 - Ground  
P4 - A Input or Output  
P5 - Shield/PE

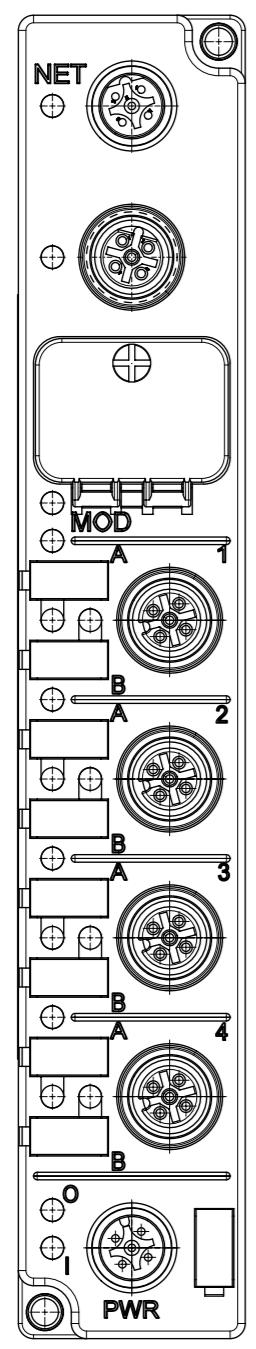
WIRING INFORMATION:  
P1 - Module and Input power  
P2 - Output power  
P3 - Ground  
P4 - Ground  
P5 - Protected Earth

**BILL OF MATERIAL**

ITEM	DESCRIPTION	MATERIAL	FINISH
1	CONTACT	COPPER ALLOY	GOLD OVER NICKEL
2	INSERT	TPU	BLACK
3	SHELL	BRASS	NICKEL PLATET
4	SHELL	BRASS	NICKEL PLATET
5	GASKET	FPM	RED
6	INSERT	TPU	BLACK
7	CONTACT	COPPER ALLOY	GOLD OVER NICKEL
8	SHELL	BRASS	NICKEL PLATET
9	GASKET	FPM	RED
10	INSERT	PUR	BLACK
11	CONTACT	COPPER ALLOY	GOLD OVER NICKEL
12	CONTACT	COPPER ALLOY	GOLD OVER NICKEL
13	SHELL	BRASS	NICKEL PLATET
14	INSERT	TPU	BLACK
15	WINDOW	PC	TRANSPARENT
16	SCREW	V2A	V2A
17	LABEL	PC	WHITE
18	HOUSING	PBT	BLACK
19	LABEL	PVC	YELLOW
20	LED	PA	TRANSPARENT
21	LABEL	PVC	WHITE
22	SLEEVE	BRASS	NICKEL
23	RESIN	EPOXY	TRANSPARENT



<b>QUALITY SYMBOLS</b> ▽A = 0 ▽E = 0 ▽F = 0 ▽ = 0 ▽C = 0 ⊠ = 0 ■ = 0 ▽ = 0	THIS DRAWING CONTAINS INFORMATION THAT IS PROPRIETARY TO MOLEX ELECTRONIC TECHNOLOGIES, LLC AND SHOULD NOT BE USED WITHOUT WRITTEN PERMISSION		DIMENSION UNITS <b>MM</b>	SCALE <b>1:1</b>		
	EC NO: 101496 DRWN: AAHLERS CHK'D: APPR: RSILLER	2015/09/30 2015/10/23	GENERAL TOLERANCES (UNLESS SPECIFIED) ANGULAR TOL ± ° 4 PLACES ± 3 PLACES ± 2 PLACES ± 1 PLACE ± 0.3 0 PLACES ± 0.5	DRWN BY <b>ULETTENMEIER</b>		DATE <b>2015/01/26</b>
EC NO: 101496 DRWN: AAHLERS CHK'D: APPR: RSILLER		DRAFT WHERE APPLICABLE MUST REMAIN WITHIN DIMENSIONS	APPR BY <b>RSILLER</b>	DATE <b>2015/05/20</b>	PRODUCT CUSTOMER DRAWING	
<b>A3</b>		DRAWING SIZE <b>A3</b>	THIRD ANGLE PROJECTION	SERIES <b>112038</b>	MATERIAL NUMBER <b>SEE TABLE 1</b>	CUSTOMER <b>GENERAL MARKET</b>
RELEASE STAMP: P1 RELEASE DATE: 23.10.2015 08:35:09		DOCUMENT NUMBER <b>1120380003</b>		DOC TYPE <b>PSD</b>	DOC PART <b>000</b>	SHEET NUMBER <b>2 OF 3</b>



UNIVERSAL PRINTING

TABLE 1 UNIVERSAL PRINTING					
		PROFIBUS			
POWER TYPE	INPUT / OUTPUT	ENG.NO.	MOLEX P/N	3D MODEL NO.	
M12 MALE 5P	NPN	8I	TBDPB-480N-B8U	1120380009	1120380003 (PDM)
		6I/2O	TBDPB-462N-B8U	1120380007	
		4I/4O	TBDPB-444N-B8U	1120380005	
	PNP	8I	TBDPB-480P-B8U	1120380011	
		6I/2O	TBDPB-462P-B8U	1120380008	
		4I/4O	TBDPB-444P-B8U	1120380006	
	8O	TBDPB-408P-B8U	1120380003		

<b>QUALITY SYMBOLS</b> ▽ <sub>A</sub> = 0 ▽ <sub>E</sub> = 0 ▽ <sub>F</sub> = 0 ▼ = 0 ▽ <sub>C</sub> = 0 ⊠ = 0 ■ = 0 ▽ = 0	THIS DRAWING CONTAINS INFORMATION THAT IS PROPRIETARY TO MOLEX ELECTRONIC TECHNOLOGIES, LLC AND SHOULD NOT BE USED WITHOUT WRITTEN PERMISSION											
	EC NO: 101496 DRWN: AAHLERS CHK'D: APPR: RSILLER	2015/09/30 2015/10/23	GENERAL TOLERANCES (UNLESS SPECIFIED)		DIMENSION UNITS	SCALE						
			ANGULAR TOL ± °		MM	1:1						
			4 PLACES ±	DRWN BY		DATE		DBO PB 30 MM M12 5P MA BC U12 5P FE BC U12 5P 4PT FM AC M12 5P MA AC				
			3 PLACES ±	ULETTENMEIER		2015/01/26						
			2 PLACES ±	CHK'D BY		DATE						
	1 PLACE ± 0.3	APPR BY		DATE		PRODUCT CUSTOMER DRAWING						
	0 PLACES ± 0.5	RSILLER		2015/05/20								
	DRAFT WHERE APPLICABLE MUST REMAIN WITHIN DIMENSIONS		DRAWING SIZE	THIRD ANGLE PROJECTION			SERIES	MATERIAL NUMBER	CUSTOMER			
			A3				112038	SEE TABLE 1	GENERAL MARKET			
					DOCUMENT NUMBER	DOC TYPE	DOC PART	SHEET NUMBER				
					1120380003	PSD	000	3 OF 3				