



Chipsmall Limited consists of a professional team with an average of over 10 year of expertise in the distribution of electronic components. Based in Hongkong, we have already established firm and mutual-benefit business relationships with customers from,Europe,America and south Asia,supplying obsolete and hard-to-find components to meet their specific needs.

With the principle of “Quality Parts,Customers Priority,Honest Operation,and Considerate Service”,our business mainly focus on the distribution of electronic components. Line cards we deal with include Microchip,ALPS,ROHM,Xilinx,Pulse,ON,Everlight and Freescale. Main products comprise IC,Modules,Potentiometer,IC Socket,Relay,Connector.Our parts cover such applications as commercial,industrial, and automotives areas.

We are looking forward to setting up business relationship with you and hope to provide you with the best service and solution. Let us make a better world for our industry!



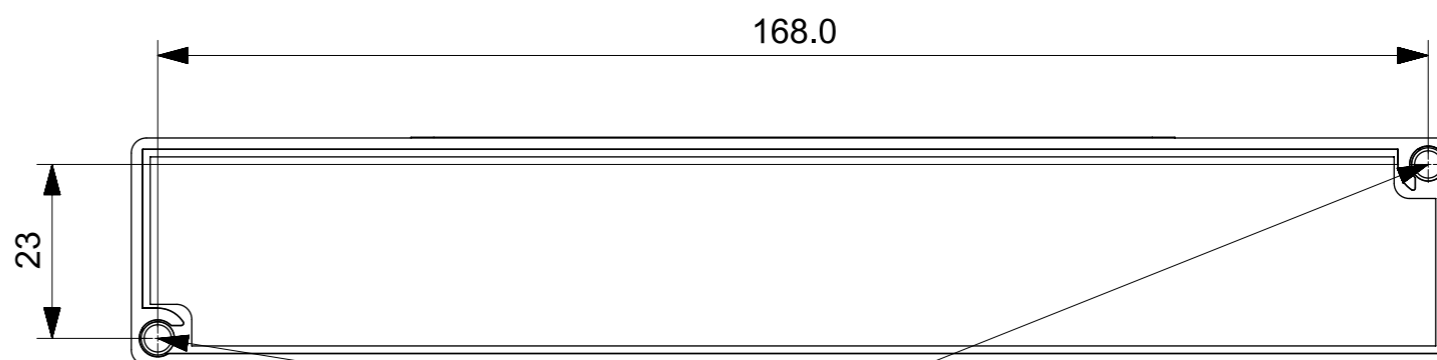
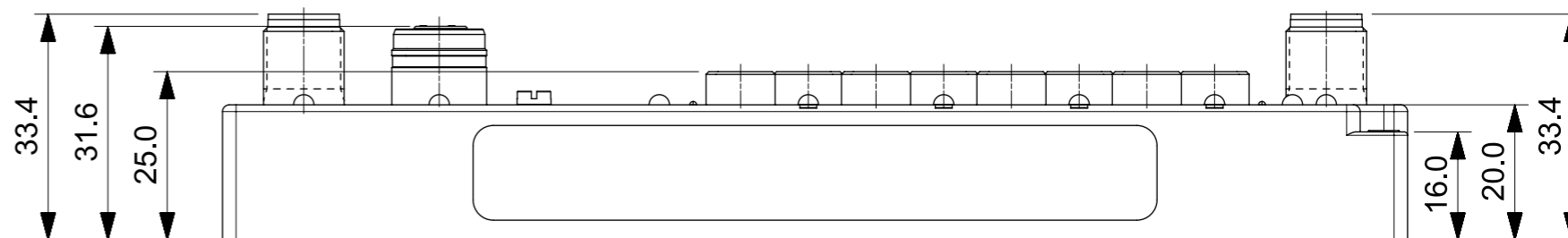
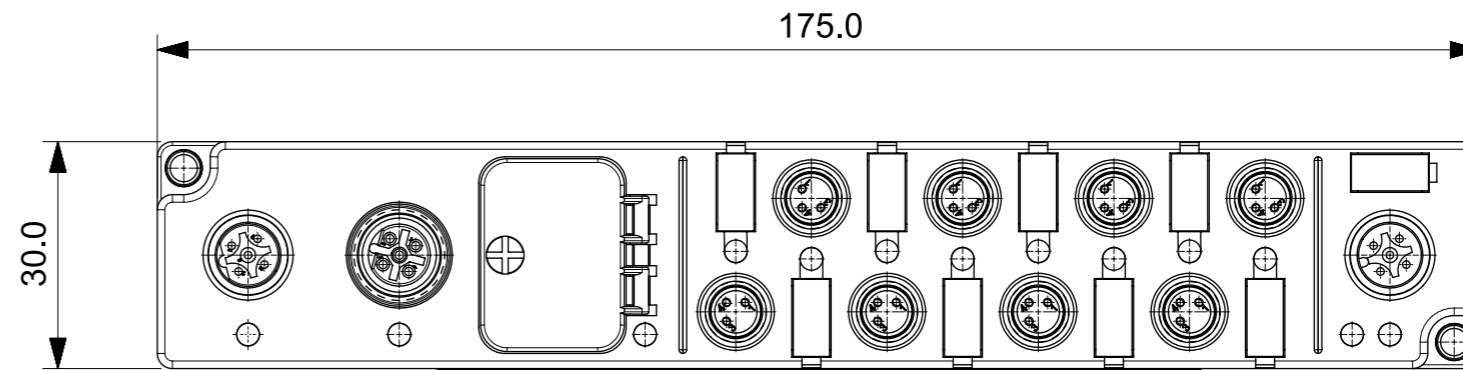
Contact us

Tel: +86-755-8981 8866 Fax: +86-755-8427 6832

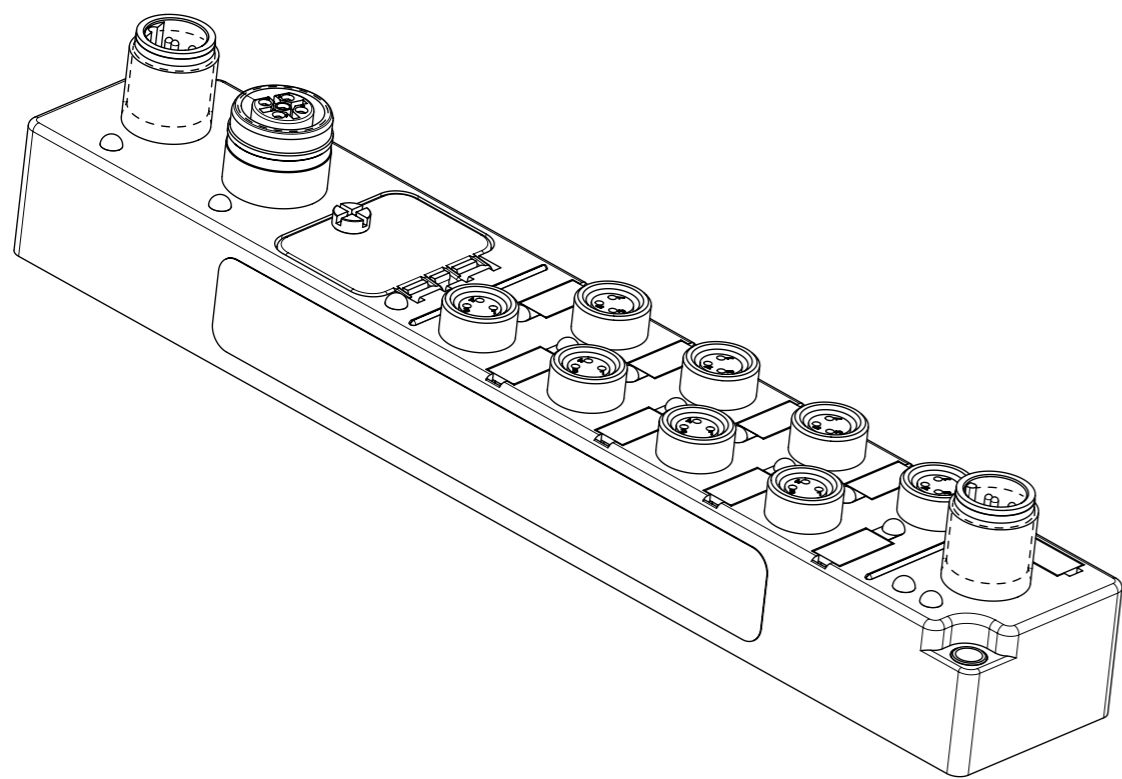
Email & Skype: info@chipsmall.com Web: www.chipsmall.com


Address: A1208, Overseas Decoration Building, #122 Zhenhua RD., Futian, Shenzhen, China



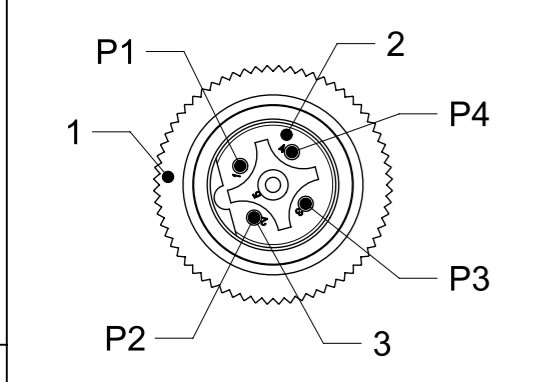


2x FIXING HOLES
SUITABLE FOR M4
SCREWS



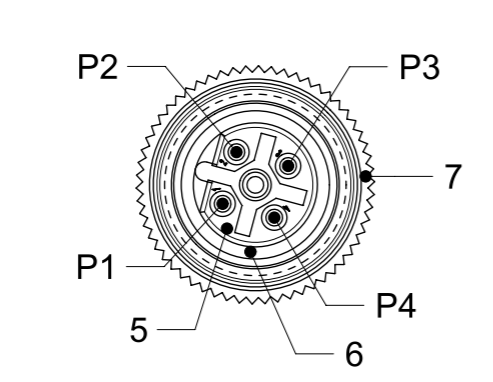
THIS DRAWING CONTAINS INFORMATION THAT IS PROPRIETARY TO MOLEX ELECTRONIC TECHNOLOGIES, LLC AND SHOULD NOT BE USED WITHOUT WRITTEN PERMISSION																
QUALITY SYMBOLS	2015/09/17	2015/10/23	GENERAL TOLERANCES (UNLESS SPECIFIED)			DIMENSION UNITS	SCALE	 DBO PB 30 MM M12 5P MA BC U12 5P FM BC M8 3P 8PT AC M12 5P AC								
			ANGULAR TOL ± °			MM	1:1									
▽A = 0	EC NO: 101496 DRWN: AAHLERS CHK'D: APPR: RSILLER	REV APPR: RSILLER	4 PLACES ±	DATE	DRWN BY		ULETTENMEIER 2015/01/27									
▽E = 0			3 PLACES ±		CHK'D BY											
▽F = 0			2 PLACES ±	DATE		PRODUCT CUSTOMER DRAWING										
▼ = 0			1 PLACE ± 0.3	APPR BY							DATE					
▽C = 0			0 PLACES ± 0.5	DATE		SERIES		MATERIAL NUMBER		CUSTOMER						
⊗ = 0			DRAFT WHERE APPLICABLE MUST REMAIN WITHIN DIMENSIONS		DATE		A3		THIRD ANGLE PROJECTION		112038		SEE TABLE 1		GENERAL MARKET	
■ = 0	A2		DATE		A3		THIRD ANGLE PROJECTION		1120380014		PSD		000		1 OF 3	
▽ = 0	A2		DATE		A3		THIRD ANGLE PROJECTION		1120380014		PSD		000		1 OF 3	

A
BUS IN:
 1x MALE M12 5P B-CODE



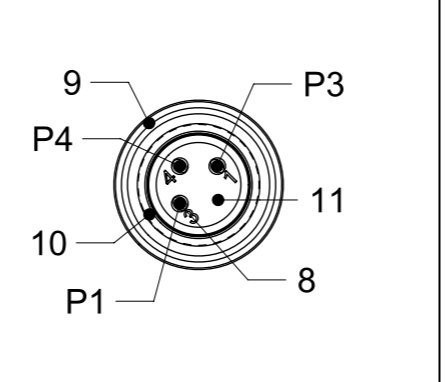
WIRING INFORMATION:
 P1 - Power 5 VDC
 P2 - BUS A
 P3 - Ground
 P4 - BUS B
 P5 - Shield/PE

B
BUS OUT:
 1x FEMALE M12 5P B-CODE



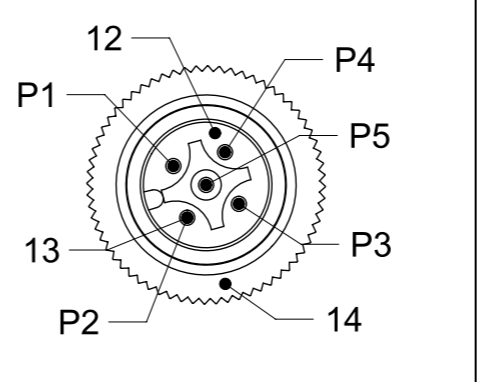
WIRING INFORMATION:
 P1 - Power 5 VDC
 P2 - BUS A
 P3 - Ground
 P4 - BUS B
 P5 - Shield/PE

C
INPUT / OUTPUT:
 8x FEMALE M8 3P



WIRING INFORMATION:
 P1 - +24 VDC
 P3 - 0 V (Ground)
 P4 - Input or Output Signal

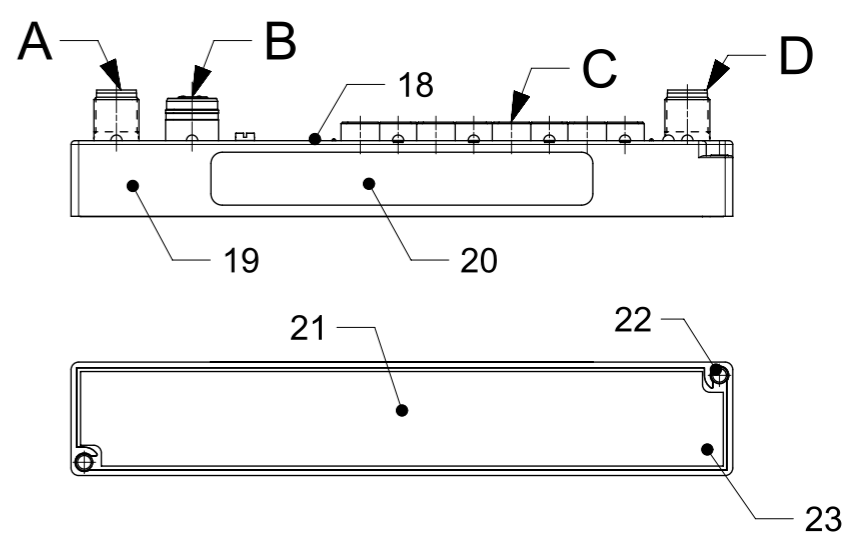
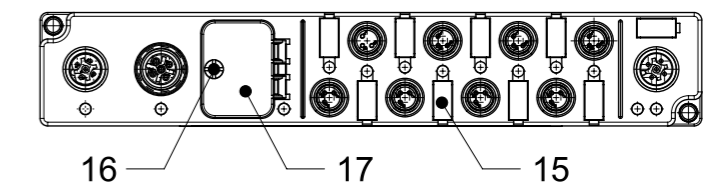
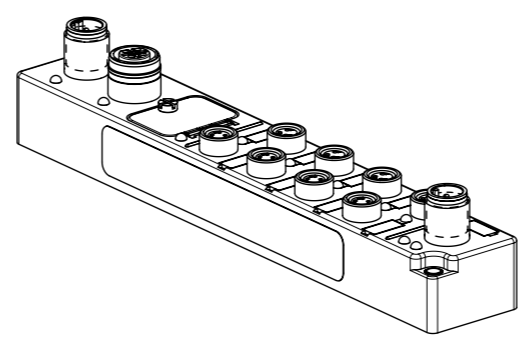
D
Power:
 1x MALE M12 5P



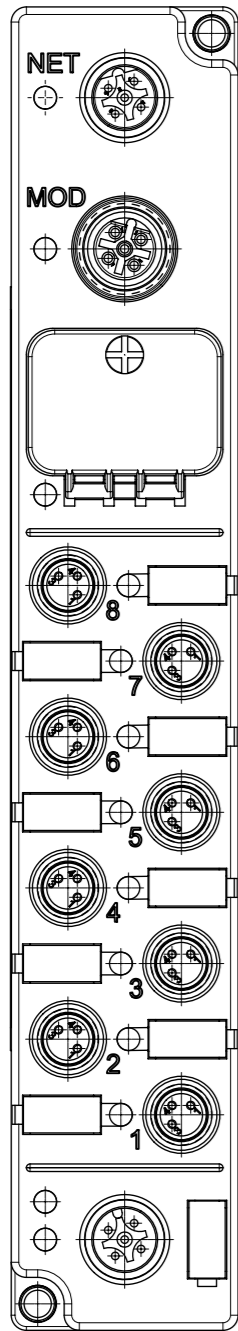
WIRING INFORMATION:
 P1 - Module and Input Power
 P2 - Output Power
 P3 - Ground
 P4 - Ground
 P5 - Protected Earth

BILL OF MATERIAL

ITEM	DESCRIPTION	MATERIAL	FINISH
1	SHELL	BRASS	NICKEL PLATET
2	INSERT	TPU	BLACK
3	CONTACT	COPPER ALLOY	GOLD OVER NICKEL
4	CONTACT	COPPER ALLOY	GOLD OVER NICKEL
5	INSERT	TPU	BLACK
6	GASKET	FPM	RED
7	SHELL	BRASS	NICKEL PLATET
8	CONTACT	COPPER ALLOY	GOLD OVER NICKEL
9	SHELL	BRASS	NICKEL PLATET
10	GASKET	FKM	RED
11	INSERT	TPU	BLACK
12	INSERT	TPU	BLACK
13	CONTACT	COPPER ALLOY	GOLD OVER NICKEL
14	SHELL	BRASS	NICKEL PLATET
15	LABEL	PC	WHITE
16	SCREW	V2A	V2A
17	WINDOW	PC	TRANSPARENT
18	LED	PA	TRANSPARENT
19	HOUSING	PBT	BLACK
20	LABEL	PVC	YELLOW
21	SLEEVE	BRASS	NICKEL
22	LABEL	PVC	WHITE
23	RESIN	EPOXY	TRANSPARENT



QUALITY SYMBOLS ▽ = 0 ▽ = 0 ▽ = 0 ▽ = 0 ▽ = 0 ▽ = 0 ▽ = 0 ▽ = 0 ▽ = 0 ▽ = 0 ▽ = 0 ▽ = 0 ▽ = 0 ▽ = 0 ▽ = 0 ▽ = 0	THIS DRAWING CONTAINS INFORMATION THAT IS PROPRIETARY TO MOLEX ELECTRONIC TECHNOLOGIES, LLC AND SHOULD NOT BE USED WITHOUT WRITTEN PERMISSION				DIMENSION UNITS: MM SCALE: 1:1		 DBO PB 30 MM M12 5P MA BC U12 5P FM BC M8 3P 8PT AC M12 5P AC PRODUCT CUSTOMER DRAWING
	EC NO: 101496 DRWN: AAHLERS CHK'D: RSILLER APPR: RSILLER	2015/09/17 2015/10/23	GENERAL TOLERANCES (UNLESS SPECIFIED) ANGULAR TOL ± °		DRWN BY: ULETTENMEIER DATE: 2015/01/27	SERIES: 112038 MATERIAL NUMBER: SEE TABLE 1 CUSTOMER: GENERAL MARKET	
		4 PLACES ± 3 PLACES ± 2 PLACES ± 1 PLACE ± 0.3 0 PLACES ± 0.5		CHK'D BY: RSILLER DATE: 2015/05/20			
	DRAFT WHERE APPLICABLE MUST REMAIN WITHIN DIMENSIONS		DRAWING SIZE: A3	THIRD ANGLE PROJECTION		DOCUMENT NUMBER: 1120380014 DOC TYPE: PSD DOC PART: 000 SHEET NUMBER: 2 OF 3	



UNIVERSAL PRINTING

TABLE 1 UNIVERSAL PRINTING					
		PROFIBUS			
POWER TYPE	INPUT / OUTPUT	ENG.NO.	MOLEX P/N	3D MODEL NO.	
M12 5 POLE	NPN	8I	TBDPB-880N-B84	1120380019	1120380014 (PDM)
		6I/20	TBDPB-862N-B84	1120380017	
		4I/40	TBDPB-844N-B84	1120380015	
	PNP	8I	TBDPB-880P-B84	1120380021	
		6I/20	TBDPB-862P-B84	1120380018	
		4I/40	TBDPB-844P-B84	1120380016	
	80	TBDPB-808P-B84	1120380014		

QUALITY SYMBOLS 	THIS DRAWING CONTAINS INFORMATION THAT IS PROPRIETARY TO MOLEX ELECTRONIC TECHNOLOGIES, LLC AND SHOULD NOT BE USED WITHOUT WRITTEN PERMISSION											
	EC NO: 101496 DRWN: AAHLERS CHK'D: APPR: RSILLER	2015/09/17 2015/10/23	GENERAL TOLERANCES (UNLESS SPECIFIED)		DIMENSION UNITS	SCALE						
			ANGULAR TOL ± °		MM	1:1						
			4 PLACES ±	DRWN BY		DATE		DBO PB 30 MM M12 5P MA BC U12 5P FM BC M8 3P 8PT AC M12 5P AC				
			3 PLACES ±	ULETTENMEIER		2015/01/27						
			2 PLACES ±	CHK'D BY		DATE						
	1 PLACE ± 0.3	APPR BY		DATE		PRODUCT CUSTOMER DRAWING						
	0 PLACES ± 0.5	RSILLER		2015/05/20		SERIES	MATERIAL NUMBER	CUSTOMER				
	DRAFT WHERE APPLICABLE MUST REMAIN WITHIN DIMENSIONS		DRAWING SIZE	THIRD ANGLE PROJECTION			112038	SEE TABLE 1	GENERAL MARKET			
			A3				DOCUMENT NUMBER	DOC TYPE	DOC PART	SHEET NUMBER		
						1120380014	PSD	000	3 OF 3			