



Chipsmall Limited consists of a professional team with an average of over 10 year of expertise in the distribution of electronic components. Based in Hongkong, we have already established firm and mutual-benefit business relationships with customers from,Europe,America and south Asia,supplying obsolete and hard-to-find components to meet their specific needs.

With the principle of "Quality Parts,Customers Priority,Honest Operation,and Considerate Service",our business mainly focus on the distribution of electronic components. Line cards we deal with include Microchip,ALPS,ROHM,Xilinx,Pulse,ON,Everlight and Freescale. Main products comprise IC,Modules,Potentiometer,IC Socket,Relay,Connector.Our parts cover such applications as commercial,industrial, and automotives areas.

We are looking forward to setting up business relationship with you and hope to provide you with the best service and solution. Let us make a better world for our industry!



## Contact us

Tel: +86-755-8981 8866 Fax: +86-755-8427 6832

Email & Skype: info@chipsmall.com Web: www.chipsmall.com

Address: A1208, Overseas Decoration Building, #122 Zhenhua RD., Futian, Shenzhen, China







The BradControl™ IP67 I/O modules provide a reliable solution for connecting industrial controllers to I/O devices in harsh environments.

22 Apr. 10  
DW200584

## PROFIBUS® Discrete I/O Modules

### IP67 Classic 60mm Format



#### Features

- **NEW module version! 8 inputs + 8 universal (inputs or outputs)**
- **Classic design allows space savings for direct machine mount applications**
- **Standard M12 threaded connectors or BradConnectivity Ultra-Lock connection system**
- **Standard hole pattern allows for interchangeability with popular I/O modules**
- **Supports PNP and NPN inputs**
- **Choose from several I/O configurations**
- **Visible diagnostics through status LEDs**
- **Module and channel diagnostics supported through PROFIBUS**
- **Supports PROFIBUS Slave DP-V0 in accordance with EN 50170**

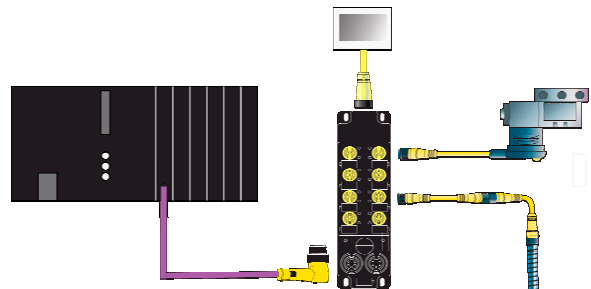
#### Typical Applications

- **Machine tool industry**
- **Material handling systems**
- **Filling & packaging**
- **Steel industry**



### I/O Systems for Harsh Environments

The BradControl™ Classic 60mm I/O modules for PROFIBUS® provide a reliable solution for connecting industrial controllers to I/O devices in harsh environments.



Contained in a 60mm wide housing rated for IP67 environments, BradControl I/O modules can be machine mounted and are able to withstand areas where liquids, dust or vibration may be present. This makes them ideally suited for many applications including material handling equipment and automated assembly machinery.

To facilitate input and output device wiring BradControl Classic 60mm I/O modules accept standard threaded M12 connectors or BradConnectivity™'s new Ultra-Lock™ connection system, a "push-to-lock" method that provides a fast, simple and secure connection between the I/O module and I/O devices. With the BradConnectivity Ultra-Lock connection system, performance and reliability are designed right into the connector! The unique radial seal design provides a reliable, operator independent seal each and every time. There's no chance for under – or over-tightening. When you hear and feel the connector click, you know it's locked in – there's no guesswork.

Other features include the support of both PNP and NPN inputs and current sourcing outputs. Built-in diagnostic tools include the highly visible LEDs which provide maintenance personnel with the ability to easily determine I/O, module and network status.

PROFIBUS specific features include support of module and channel diagnostics through PROFIBUS and PROFIBUS Slave DP-V0 in accordance with EN 50170.



## LED Indicators

### PROFIBUS Network Status (NET):

Green – running  
Red – device not configured

### I/O Module Diagnostics (MOD):

Off – no fault  
Red – fault

### Module & Input Power (I):

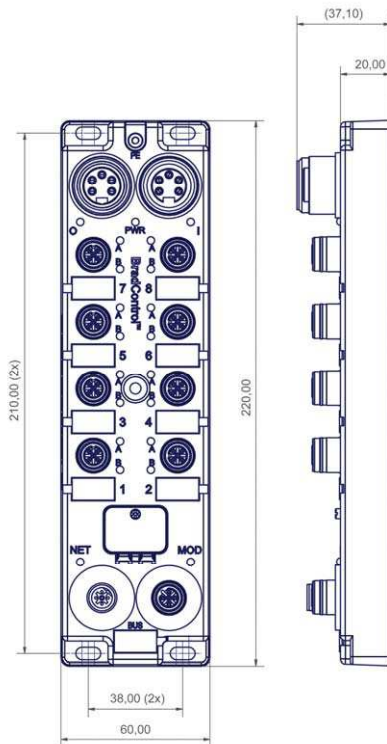
Green – external supply present

### Output Power (O):

Green – external supply present

### Input / Output (M12: 1A to 8B):

Green – input / output on  
Red – input / output fault



## Technical Information

I/O Configurations	16 inputs 14 inputs + 2 outputs 12 inputs + 4 outputs 8 inputs + 8 outputs 8 inputs + 8 configurable (inputs or outputs)
I/O Connectors	5-pole female M12 BradConnectivity™ Ultra-Lock™. Allows 2 input or 2 output channels per connector.
Bus Connectors	Bus in : male reverse-key M12 5-pole, B-Coded Bus out : female reverse-key M12 5-pole, B-Coded
Power Connectors	Power in : male Mini-Change® 5-pole Power out : female Mini-Change 5-pole
External Power Requirements	Module & input power : 24 Vdc, device current + module Output power : 24 Vdc (13 to 28 V), 8A max per module
Baud Rate Settings	Auto baud, All PROFIBUS® baud rates up to 12 MBaud
Address Settings	1 – 99 by rotary switches, (0 = factory default of 126) or 1 – 125 by Set_Slave_Address command
Input Type	Compatible with dry contact and PNP or NPN 3-wire switches. Electronic short circuit protection
Input Delay	0.5 ms
Input Device Supply	140 mA per port at 25°C
Output Load Current	Max 2.0 A per channel, electronic short circuit protection
Maximum Switching Frequency	200 Hz
Housing Dimensions	60mm x 220mm x 20mm (2.36 x 8.66 x .78 inches)
Mounting Dimensions	37.5 mm (1.48 inches) horizontal on centers 210 mm (8.27 inches) vertical on centers Center hole
Operating Temperature	-25°C to 70°C (-13°F to 158°F)
Storage Temperature	-25°C to 90°C (-13°F to 194°F)
RH Operating	5 to 95% non-condensing
EMC	IEC 61000-6-2
Protection	IP67 according to IEC 60529
Vibration	IEC 60068-2-6 conformance
Shock	10G, 11ms, 3 axis
Input Signal Voltage	"0": -0.2 ↔ 5 Volts / "1": 10 ↔ 28 Volts
Output Voltage	Supply value less 1 Volt.
Approvals	CE, UL, CUL, PNO certification

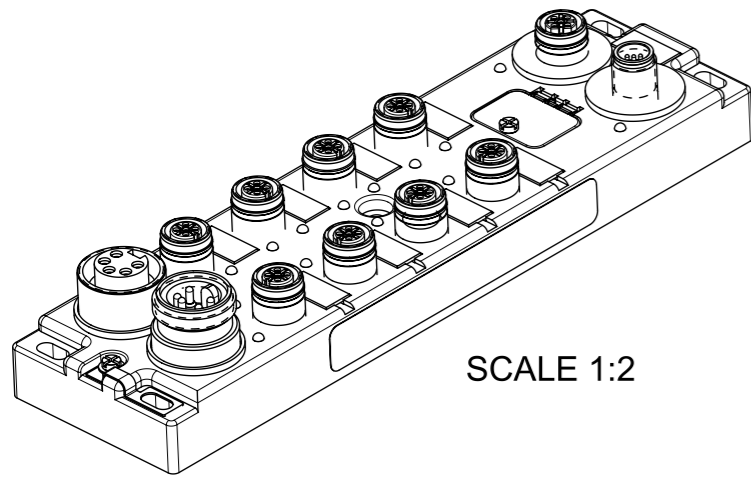
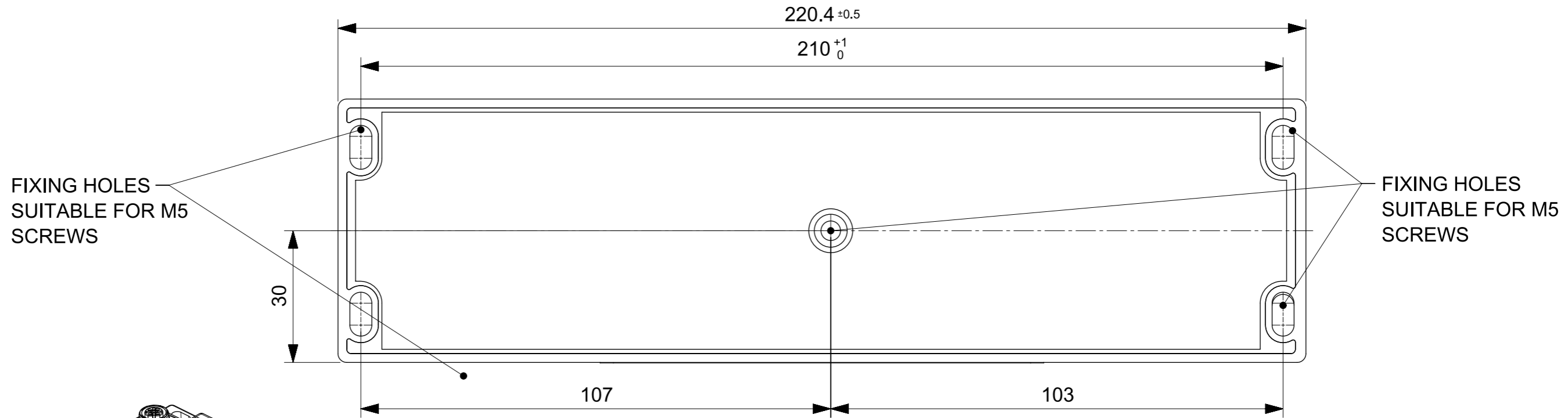
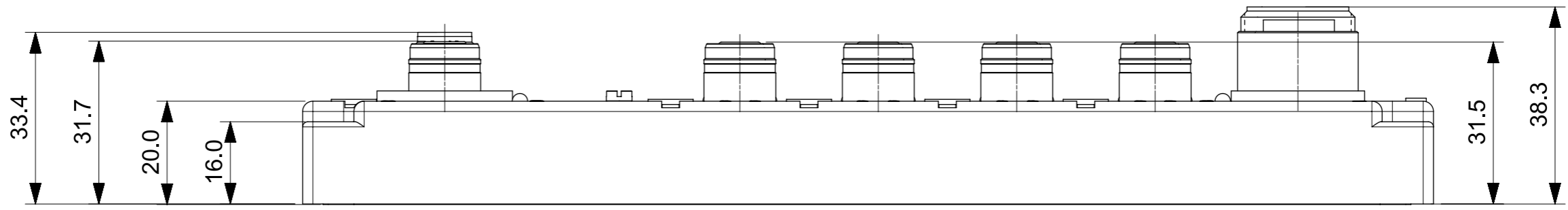
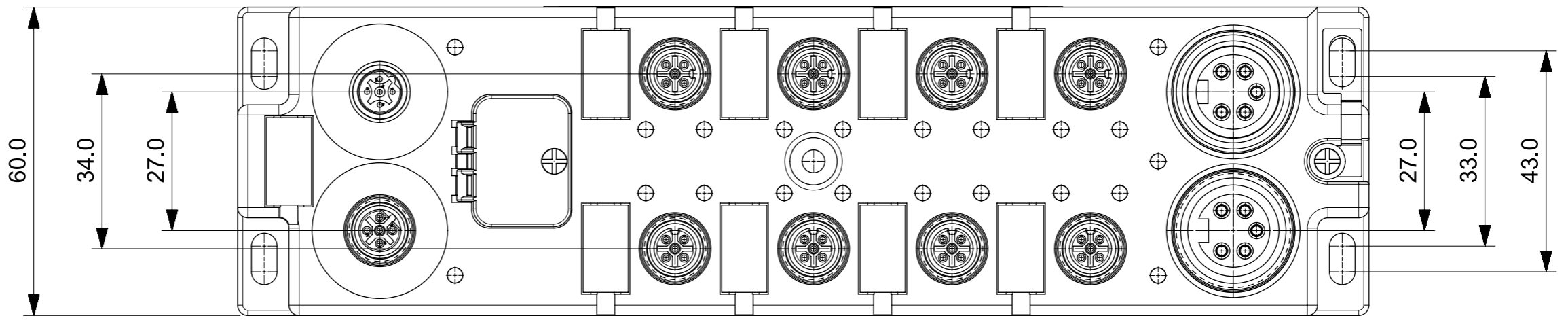
## Ordering Information

Part Number	SAP Number	Product Description
TCDPB-8D0N-B1U	1120380030	8 Port M12 – 16 inputs NPN
TCDPB-8C2N-B1U	1120380028	8 Port M12 – 14 inputs NPN + 2 sourcing outputs
TCDPB-8B4N-B1U	1120380026	8 Port M12 – 12 inputs NPN + 4 sourcing outputs
TCDPB-888N-B1U	1120380024	8 Port M12 – 8 inputs NPN + 8 sourcing outputs
TCDPB-8D0P-B1U	1120380031	8 Port M12 – 16 inputs PNP
TCDPB-8C2P-B1U	1120380029	8 Port M12 – 14 inputs PNP + 2 sourcing outputs
TCDPB-8B4P-B1U	1120380027	8 Port M12 – 12 inputs PNP + 4 sourcing outputs
TCDPB-888P-B1U	1120380025	8 Port M12 – 8 inputs PNP + 8 sourcing outputs
TCDPB-88UP-B1U	1120385004	8 Port M12 – 8 inputs PNP + 8 I/O configurable

To contact us: [www.woodhead.com](http://www.woodhead.com)

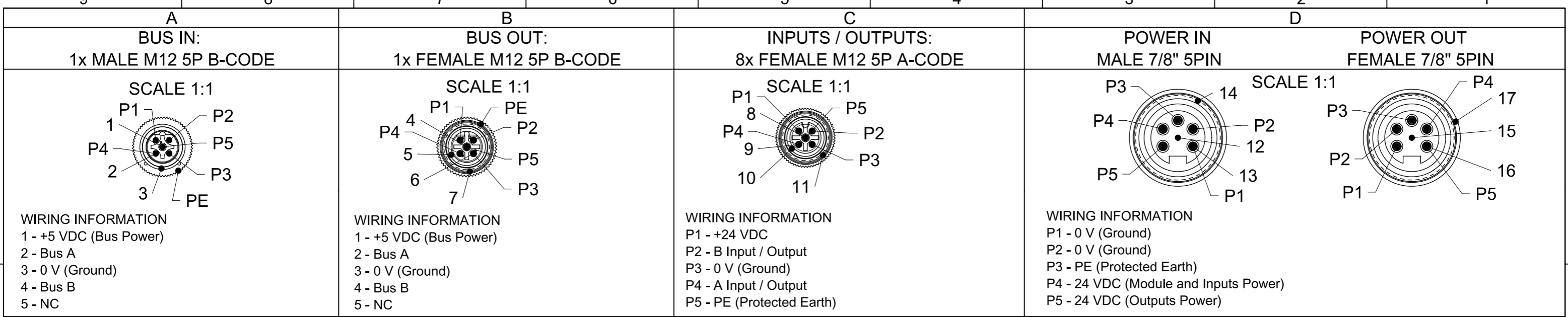
North America: US: +1 (630) 969-4550 – Canada: +1 519 725 5136  
Europe: France: +33 2 32 96 04 20 – Germany: +49 7252 94 96 0 – Italy: +39 (02) 950551 – UK: +44 (1252) 720720  
Asia: China: +86 21-5048-0889 Singapore: +65 6-268-6868 – Japan: +81 46-265-2325 – Korea: +82 31-492-9000

Brad is a registered trademark and BradControl, BradCommunications, applicom, Direct-Link and SST are trademarks of Molex Incorporated. © 2010 Molex



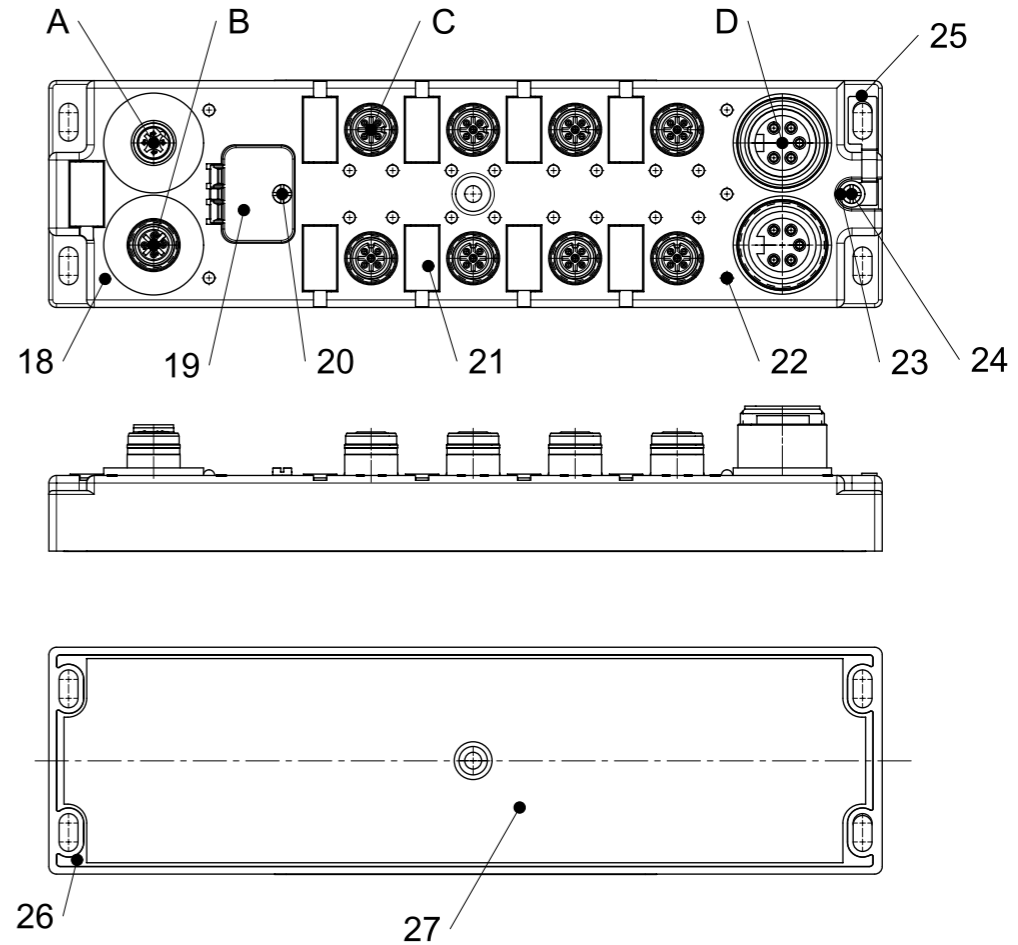
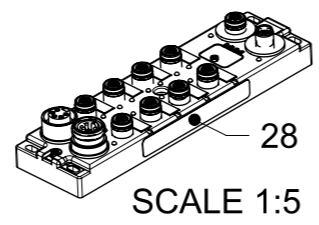
SCALE 1:2

THIS DRAWING CONTAINS INFORMATION THAT IS PROPRIETARY TO MOLEX ELECTRONIC TECHNOLOGIES, LLC AND SHOULD NOT BE USED WITHOUT WRITTEN PERMISSION											
<b>QUALITY SYMBOLS</b> ▽A = 0 ▽E = 0 ▽F = 0 ▼ = 0 ▽C = 0 ⊠ = 0 ■ = 0 ▽ = 0	2015/10/21  EC NO: 101574 DRWN: AAHLERS CHK'D: APPR:	<b>GENERAL TOLERANCES (UNLESS SPECIFIED)</b> ANGULAR TOL ± °		DIMENSION UNITS <b>MM</b>	SCALE <b>1:1</b>						
		4 PLACES ± 3 PLACES ± 2 PLACES ± 1 PLACE ± 0.3 0 PLACES ± 0.5	DRWN BY <b>ULETTENMEIER</b>	DATE <b>2015/01/19</b>	DBO PB 60 MM 7/8" 5P AC MA FE U12 5P 8PT AC FE U12 5P 2PT BC						
		DRAFT WHERE APPLICABLE MUST REMAIN WITHIN DIMENSIONS		APPR BY <b>RSILLER</b>	DATE <b>2015/06/25</b>	PRODUCT CUSTOMER DRAWING					
		<b>A1</b>	REV APPR:	DRAWING SIZE <b>A3</b>	THIRD ANGLE PROJECTION	SERIES <b>112038</b>	MATERIAL NUMBER <b>SEE TABLE 1</b>	CUSTOMER <b>GENERAL MARKET</b>			
				DOCUMENT NUMBER <b>1120380030</b>		DOC TYPE <b>PSD</b>	DOC PART <b>000</b>	SHEET NUMBER <b>1 OF 3</b>			



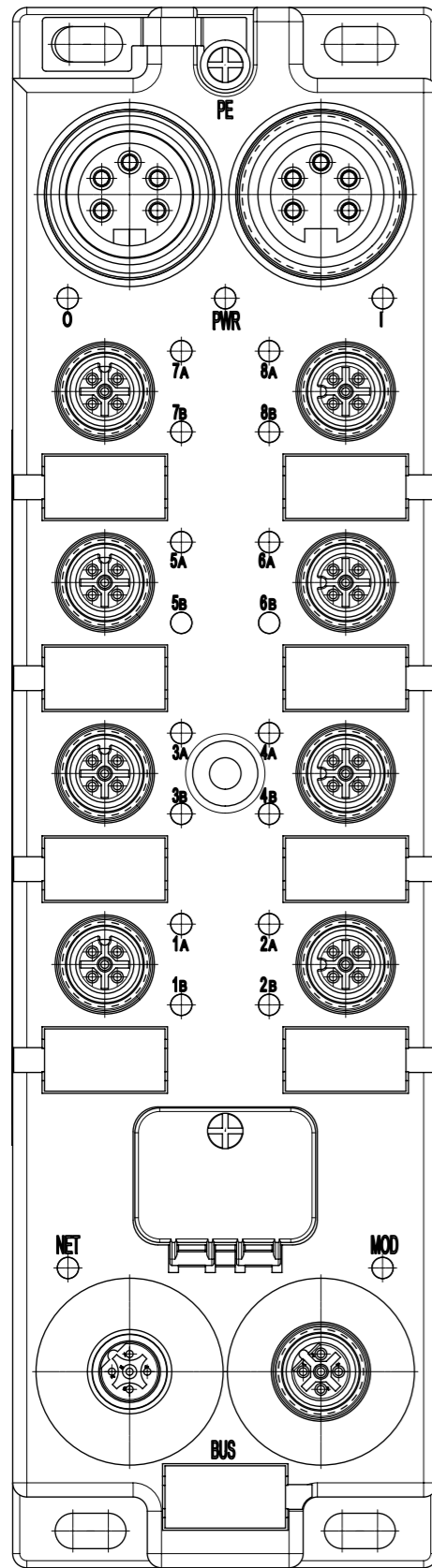
**BILL OF MATERIAL**

ITEM	DESCRIPTION	MATERIAL	FINISH
1	INSERT	TPU	BLACK
2	CONTACT	COPPER ALLOY	NICKEL PLATET
3	SHELL	BRASS	NICKEL PLATET
4	INSERT	TPU	BLACK
5	GASKET	FPM	RED
6	CONTACT	COPPER ALLOY	NI AU
7	SHELL	BRASS	NI
8	INSERT	TPU	BLACK
9	CONTACT	COPPER ALLOY	NI AU
10	GASKET	FPM	RED
11	SHELL	BRASS	NI
12	INSERT	TPE	YELLOW
13	CONTACT	COPPER ALLOY	NI AU
14	SHELL	BRASS	NI
15	INSERT	TPE	YELLOW
16	CONTACT	COPPER ALLOY	NI AU
17	SHELL	BRASS	NI
18	HOUSING	PBT	BLACK
19	WINDOW	PC	TRANSPARENT
20	SCREW	V2A	V2A
21	LABEL	PC	WHITE
22	FIBER OPTIC	PA	TRANSPARENT
23	WASHER	BRASS	NI
24	SCREW	V2A	V2A
25	SHIELD PLATE	STAINLESS STEEL	STAINLESS STEEL
26	RESIN	EPOXY	TRANSPARENT
27	LABEL	PVC	WHITE
28	LABEL	PVC	YELLOW



THIS DRAWING CONTAINS INFORMATION THAT IS PROPRIETARY TO MOLEX ELECTRONIC TECHNOLOGIES, LLC AND SHOULD NOT BE USED WITHOUT WRITTEN PERMISSION

QUALITY SYMBOLS	2015/10/21	GENERAL TOLERANCES (UNLESS SPECIFIED)	DIMENSION UNITS	SCALE				
			MM	1:1				
▽ = 0	101574	AAHLERS	DRWN BY	DATE	DBO PB 60 MM 7/8" 5P AC MA FE U12 5P 8PT AC FE U12 5P 2PT BC			
▽ = 0			ULETTENMEIER	2015/01/19				
▽ = 0	REV	CHK'D:	CHK'D BY	DATE	PRODUCT CUSTOMER DRAWING			
▽ = 0			RSILLER	2015/06/25				
▽ = 0	A1	APP'R:	APPR BY	DATE	SERIES	MATERIAL NUMBER	CUSTOMER	
▽ = 0			DRAFT WHERE APPLICABLE MUST REMAIN WITHIN DIMENSIONS	DRAWING SIZE	THIRD ANGLE PROJECTION	112038	SEE TABLE 1	GENERAL MARKET
▽ = 0			A3		DOCUMENT NUMBER	DOC TYPE	DOC PART	SHEET NUMBER
▽ = 0					1120380030	PSD	000	2 OF 3



UNIVERSAL PRINTING

TABLE 1 UNIVERSAL PRINTING						
POWER TYPE	INPUT / OUTPUT	ENG.NO.	MOLEX P/N	3D MODEL NO.		
7/8" 5 POLE	NPN	16I	TCDPB-8D0N-B1U	1120380030	1120380030 (PDM)	
		14I / 20	TCDPB-8C2N-B1U	1120380028		
		12I / 40	TCDPB-8B4N-B1U	1120380026		
		8I / 80	TCDPB-888N-B1U	1120380024		
	USER CONFIG.	TCDPB-8YYX-B1U	1120385005			
	PNP	16I	TCDPB-8D0P-B1U	1120380031		
		14I / 20	TCDPB-8C2P-B1U	1120380029		
		12I / 40	TCDPB-8B4P-B1U	1120380027		
		8I / 80	TCDPB-888P-B1U	1120380025		

<b>QUALITY SYMBOLS</b> ▽A = 0 ▽E = 0 ▽F = 0 ▼ = 0 ▽C = 0 ⊗ = 0 ■ = 0 ▽ = 0	THIS DRAWING CONTAINS INFORMATION THAT IS PROPRIETARY TO MOLEX ELECTRONIC TECHNOLOGIES, LLC AND SHOULD NOT BE USED WITHOUT WRITTEN PERMISSION										
	2015/10/21  EC NO: 101574 DRWN: AAHLERS CHK'D: APPR:	GENERAL TOLERANCES (UNLESS SPECIFIED)		DIMENSION UNITS	SCALE						
		ANGULAR TOL ± °		MM	1:1						
		4 PLACES ±	DRWN BY		DATE	DBO PB 60 MM 7/8" 5P AC MA FE U12 5P 8PT AC FE U12 5P 2PT BC					
		3 PLACES ±	ULETTENMEIER		2015/01/19						
		2 PLACES ±	CHK'D BY		DATE						
	1 PLACE ± 0.3	APPR BY		DATE	PRODUCT CUSTOMER DRAWING						
	0 PLACES ± 0.5	RSILLER		2015/06/25							
	DRAFT WHERE APPLICABLE MUST REMAIN WITHIN DIMENSIONS		DRAWING SIZE	THIRD ANGLE PROJECTION	SERIES	MATERIAL NUMBER	CUSTOMER				
			A3		112038	SEE TABLE 1	GENERAL MARKET				
					DOCUMENT NUMBER	DOC TYPE	DOC PART	SHEET NUMBER			
					1120380030	PSD	000	3 OF 3			