



Chipsmall Limited consists of a professional team with an average of over 10 year of expertise in the distribution of electronic components. Based in Hongkong, we have already established firm and mutual-benefit business relationships with customers from,Europe,America and south Asia,supplying obsolete and hard-to-find components to meet their specific needs.

With the principle of “Quality Parts,Customers Priority,Honest Operation,and Considerate Service”,our business mainly focus on the distribution of electronic components. Line cards we deal with include Microchip,ALPS,ROHM,Xilinx,Pulse,ON,Everlight and Freescale. Main products comprise IC,Modules,Potentiometer,IC Socket,Relay,Connector.Our parts cover such applications as commercial,industrial, and automotives areas.

We are looking forward to setting up business relationship with you and hope to provide you with the best service and solution. Let us make a better world for our industry!



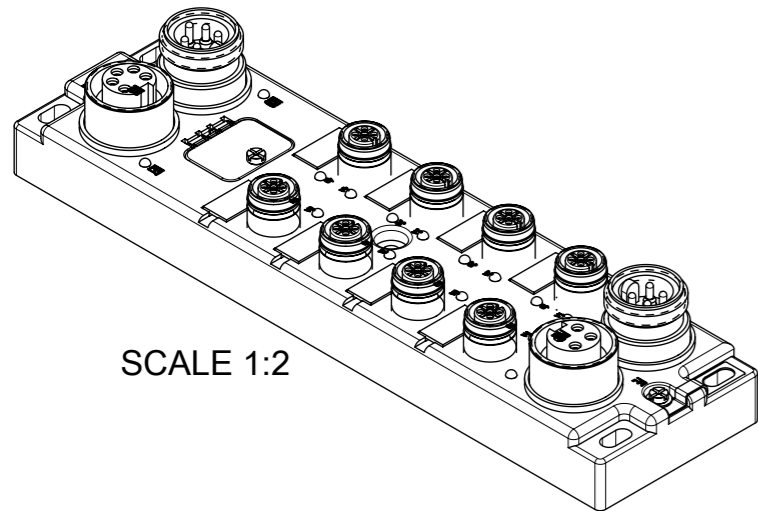
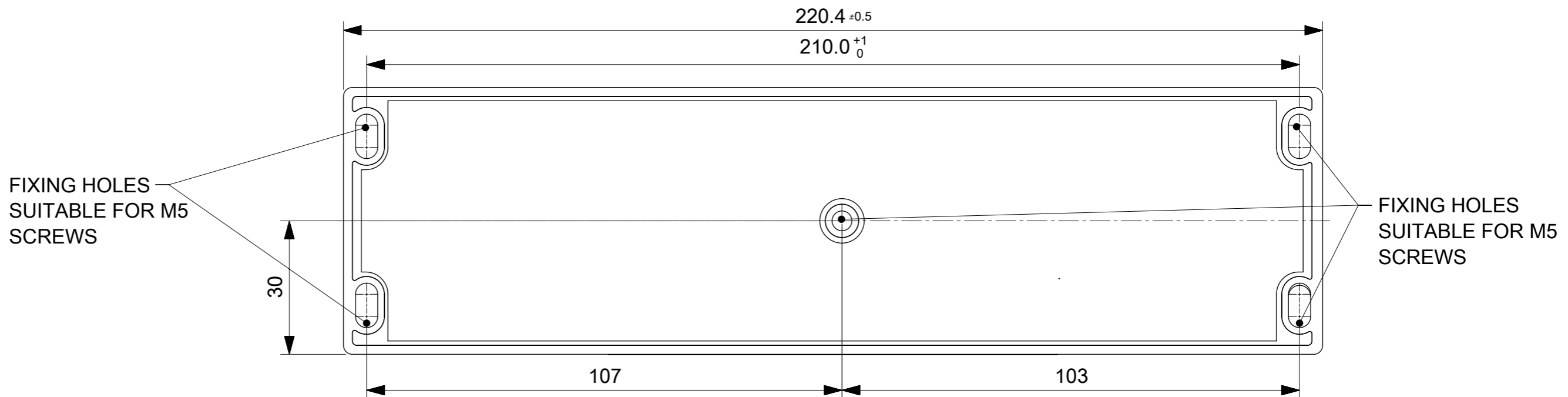
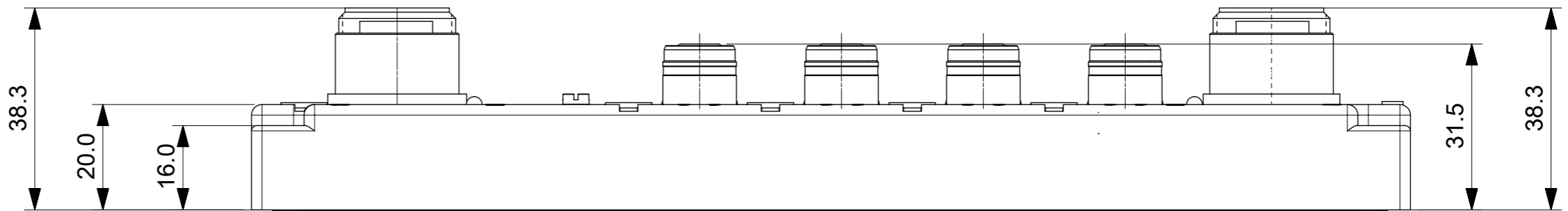
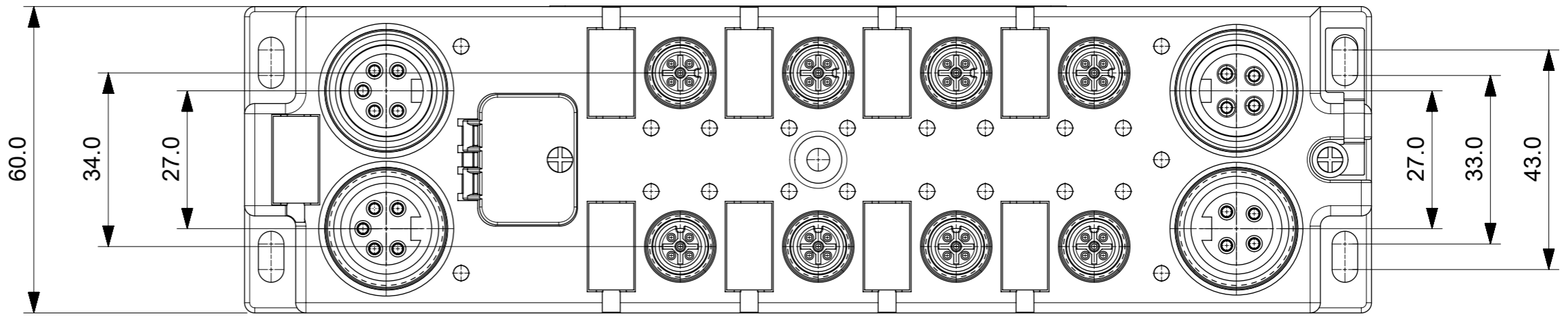
Contact us

Tel: +86-755-8981 8866 Fax: +86-755-8427 6832

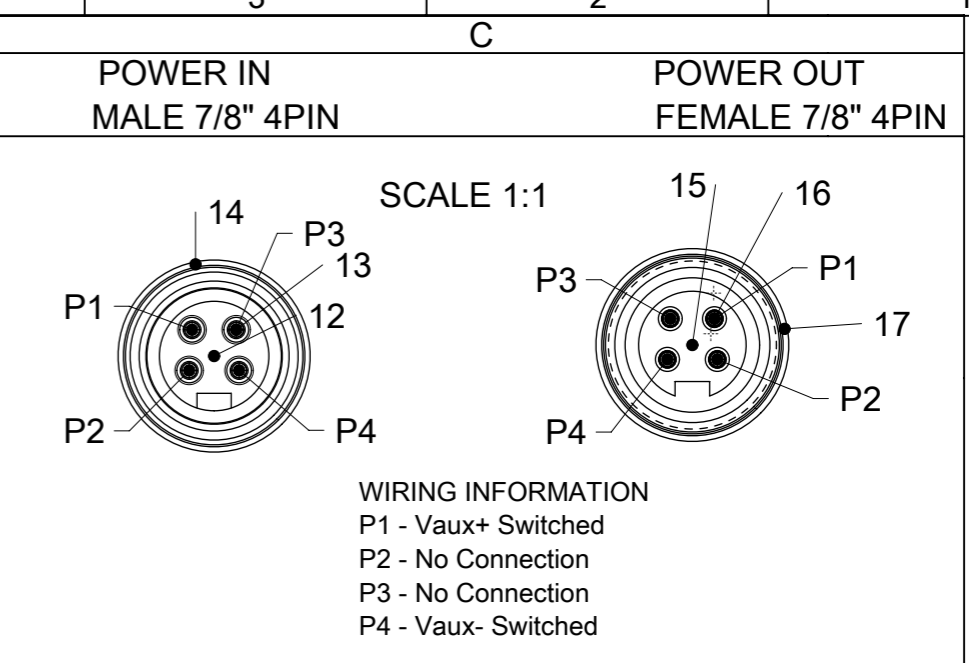
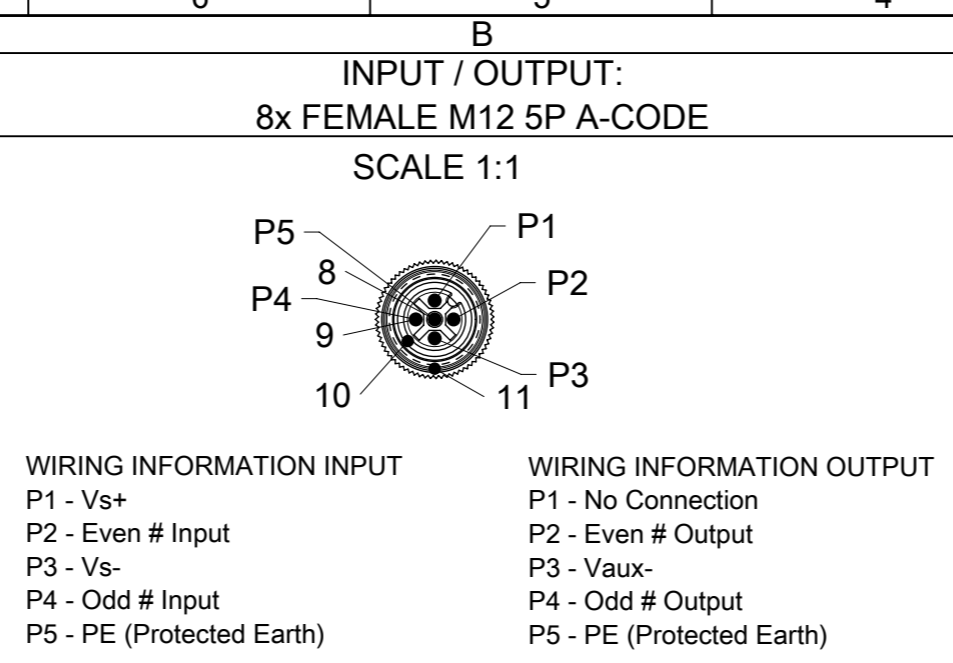
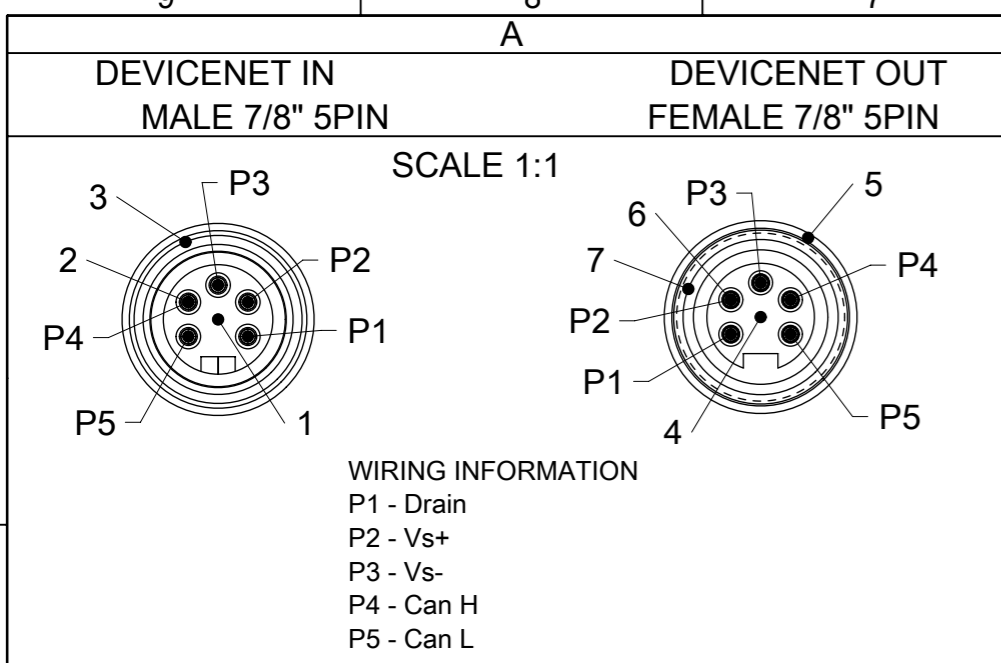
Email & Skype: info@chipsmall.com Web: www.chipsmall.com

Address: A1208, Overseas Decoration Building, #122 Zhenhua RD., Futian, Shenzhen, China



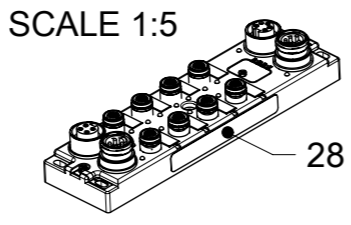
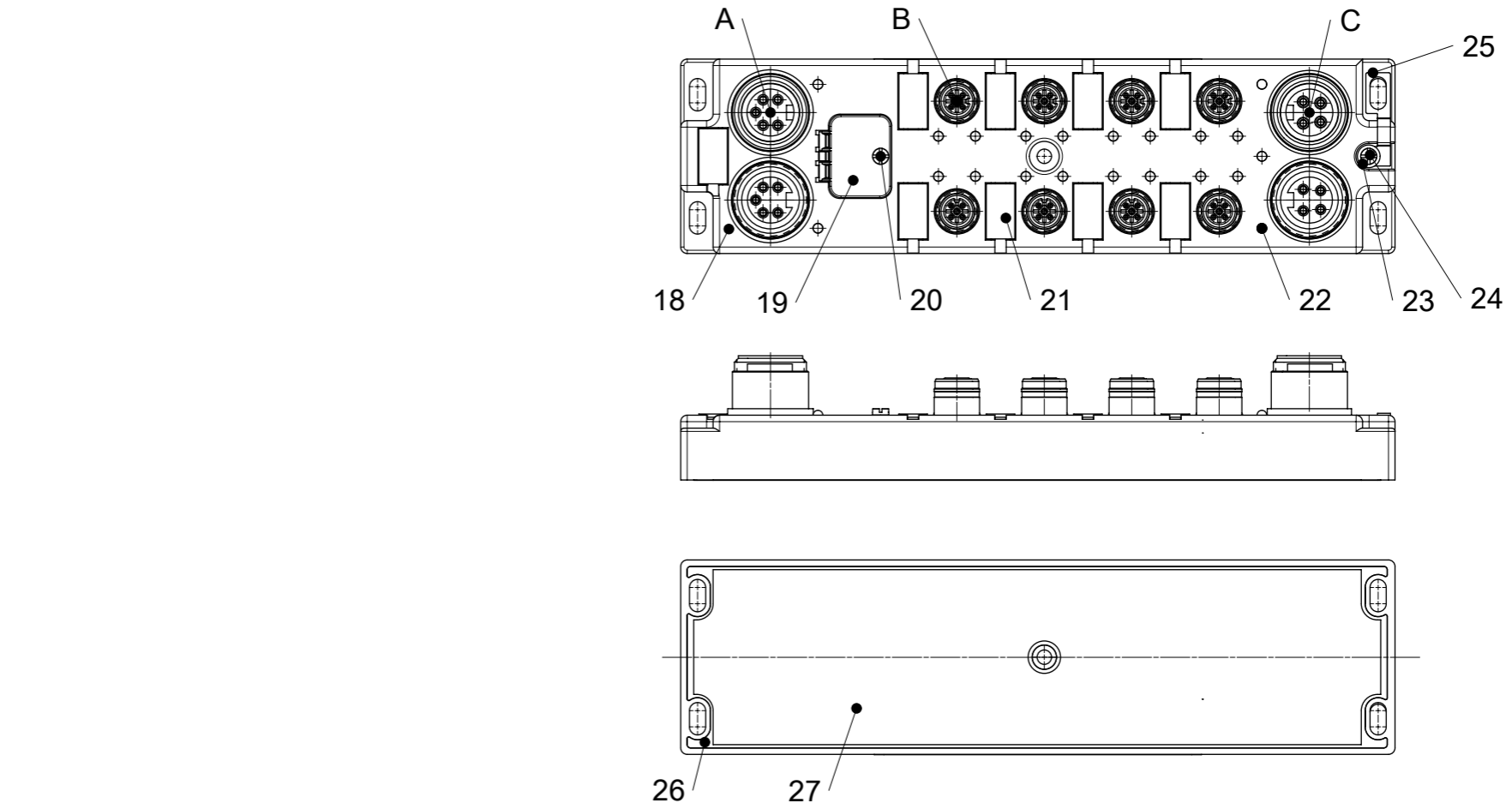


THIS DRAWING CONTAINS INFORMATION THAT IS PROPRIETARY TO MOLEX ELECTRONIC TECHNOLOGIES, LLC AND SHOULD NOT BE USED WITHOUT WRITTEN PERMISSION											
QUALITY SYMBOLS		EC NO: 112857		DRWN: ULETTENMEIER		CHK'D: RSILLER		APPR: RSILLER		REV: A2	
▽A	= 0	2017/01/26		2017/01/26		GENERAL TOLERANCES (UNLESS SPECIFIED)		DIMENSION UNITS		SCALE	
▽E	= 0					ANGULAR TOL ± °		MM		1:1	
▽F	= 0					4 PLACES ±		DRWN BY		DATE	
▽	= 0					3 PLACES ±		ULETTENMEIER		2015/01/19	
▽C	= 0					2 PLACES ±		CHK'D BY		DATE	
▽	= 0					1 PLACE ± 0.3		APPR BY		DATE	
▽	= 0					0 PLACES ± 0.5		RSILLER		2015/06/25	
▽	= 0					DRAFT WHERE APPLICABLE MUST REMAIN WITHIN DIMENSIONS		DRAWING SIZE		THIRD ANGLE PROJECTION	
▽	= 0							A3			
								molex			
								DBO DN 60 MM 7/8" 5P AC MA FE U12 5P 8PT AC FE 7/8" 4P AC MA FE			
								PRODUCT CUSTOMER DRAWING			
SERIES		MATERIAL NUMBER		CUSTOMER		112092		1120920020		GENERAL MARKET	
DOCUMENT NUMBER				DOC TYPE		DOC PART		SHEET NUMBER			
1120920020				PSD		000		1 OF 3			

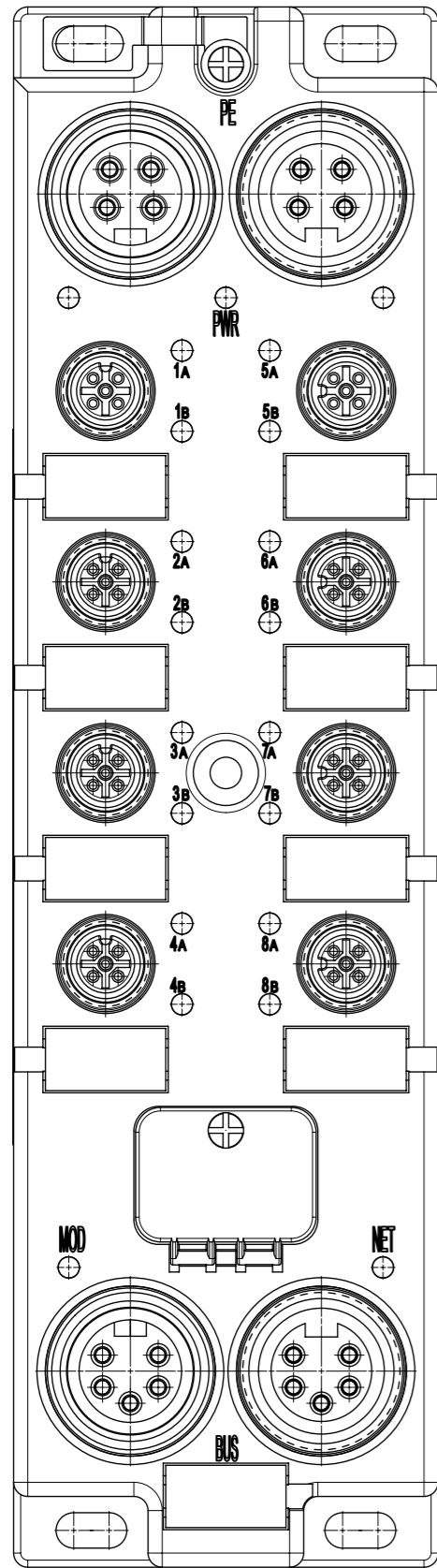


BILL OF MATERIAL

ITEM	DESCRIPTION	MATERIAL	FINISH
1	INSERT	TPE	GREY
2	CONTACT	COPPER ALLOY	NI AU
3	SHELL	BRASS	NICKEL PLATET
4	INSERT	TPE	GREY
5	GASKET	FPM	RED
6	CONTACT	COPPER ALLOY	GOLD OVER NICKEL
7	SHELL	BRASS	NICKEL PLATET
8	INSERT	TPU	BLACK
9	CONTACT	COPPER ALLOY	GOLD OVER NICKEL
10	GASKET	FPM	RED
11	SHELL	BRASS	NICKEL PLATET
12	INSERT	TPE	YELLOW
13	CONTACT	COPPER ALLOY	GOLD OVER NICKEL
14	SHELL	BRASS	NICKEL PLATET
15	INSERT	TPE	YELLOW
16	CONTACT	COPPER ALLOY	GOLD OVER NICKEL
17	SHELL	BRASS	NICKEL PLATET
18	HOUSING	PBT	BLACK
19	WINDOW	PC	TRANSPARENT
20	SCREW	V2V	V2A
21	LABEL	PC	WHITE
22	FIBER OPTIC	PA	TRANSPARENT
23	WASHER	BRASS	NICKEL PLATET
24	SCREW	V2V	V2A
25	SHIELD PLATE	STAINLESS STEEL	STAINLESS STEEL
26	RESIN	EPOXY	TRANSPARENT
27	LABEL	PVC	WHITE
28	LABEL	PVC	YELLOW



QUALITY SYMBOLS A = 0 E = 0 F = 0 G = 0 H = 0 I = 0 J = 0 K = 0 L = 0 M = 0 N = 0 O = 0	THIS DRAWING CONTAINS INFORMATION THAT IS PROPRIETARY TO MOLEX ELECTRONIC TECHNOLOGIES, LLC AND SHOULD NOT BE USED WITHOUT WRITTEN PERMISSION				
	EC NO: 112857 DRWN: ULETTENMEIER CHK'D:	2017/01/26 2017/01/26 RSILLER	GENERAL TOLERANCES (UNLESS SPECIFIED) ANGULAR TOL ± ° 4 PLACES ± 3 PLACES ± 2 PLACES ± 1 PLACE ± 0.3 0 PLACES ± 0.5 DRAFT WHERE APPLICABLE MUST REMAIN WITHIN DIMENSIONS	DIMENSION UNITS: MM SCALE: 1:2 DRWN BY: ULETTENMEIER DATE: 2015/01/19 CHK'D BY: DATE: APPR BY: RSILLER DATE: 2015/06/25 DRAWING SIZE: A3 THIRD ANGLE PROJECTION	
	PRODUCT CUSTOMER DRAWING			SERIES: 112092 MATERIAL NUMBER: 1120920020 CUSTOMER: GENERAL MARKET	
	A2		DOCUMENT NUMBER: 1120920020 DOC TYPE: PSD DOC PART: 000 SHEET NUMBER: 2 OF 3		



DEVICE NET PRINTING

TABLE 1 DEVICE NET PRINTING					
POWER TYPE	INPUT / OUTPUT		ENG.NO.	MOLEX P/N	3D MODEL NO.
7/8" 5 POLE	NPN	8I /8O	TCDDN-888N-11U	1120920020	1120920020 (PDM)
	PNP	8I /8O	TCDDN-888P-11U	1120920009	
		8I /8O	TCDDN-888P-11U (A)	1120925011	

QUALITY SYMBOLS ▽A = 0 ▽E = 0 ▽F = 0 ▼ = 0 ▽C = 0 ⊗ = 0 ■ = 0 ▽ = 0	THIS DRAWING CONTAINS INFORMATION THAT IS PROPRIETARY TO MOLEX ELECTRONIC TECHNOLOGIES, LLC AND SHOULD NOT BE USED WITHOUT WRITTEN PERMISSION											
	EC NO: 112857 DRWN: ULETTENMEIER CHK'D: APPR: RSILLER	2017/01/26 2017/01/26	GENERAL TOLERANCES (UNLESS SPECIFIED)		DIMENSION UNITS	SCALE						
			ANGULAR TOL ± °		MM	1:1						
			4 PLACES ±	DRWN BY		DATE		DBO DN 60 MM 7/8" 5P AC MA FE U12 5P 8PT AC FE 7/8" 4P AC MA FE				
			3 PLACES ±	ULETTENMEIER		2015/01/19						
			2 PLACES ±	CHK'D BY		DATE						
	1 PLACE ± 0.3	APPR BY		DATE		PRODUCT CUSTOMER DRAWING						
	0 PLACES ± 0.5	RSILLER		2015/06/25								
	DRAFT WHERE APPLICABLE MUST REMAIN WITHIN DIMENSIONS		DRAWING SIZE	THIRD ANGLE PROJECTION			SERIES	MATERIAL NUMBER	CUSTOMER			
			A3				112092	1120920020	GENERAL MARKET			
		DOCUMENT NUMBER		DOC TYPE	DOC PART	SHEET NUMBER						
		1120920020		PSD	000	3 OF 3						