



Chipsmall Limited consists of a professional team with an average of over 10 year of expertise in the distribution of electronic components. Based in Hongkong, we have already established firm and mutual-benefit business relationships with customers from,Europe,America and south Asia,supplying obsolete and hard-to-find components to meet their specific needs.

With the principle of “Quality Parts,Customers Priority,Honest Operation,and Considerate Service”,our business mainly focus on the distribution of electronic components. Line cards we deal with include Microchip,ALPS,ROHM,Xilinx,Pulse,ON,Everlight and Freescale. Main products comprise IC,Modules,Potentiometer,IC Socket,Relay,Connector.Our parts cover such applications as commercial,industrial, and automotives areas.

We are looking forward to setting up business relationship with you and hope to provide you with the best service and solution. Let us make a better world for our industry!



Contact us

Tel: +86-755-8981 8866 Fax: +86-755-8427 6832

Email & Skype: info@chipsmall.com Web: www.chipsmall.com

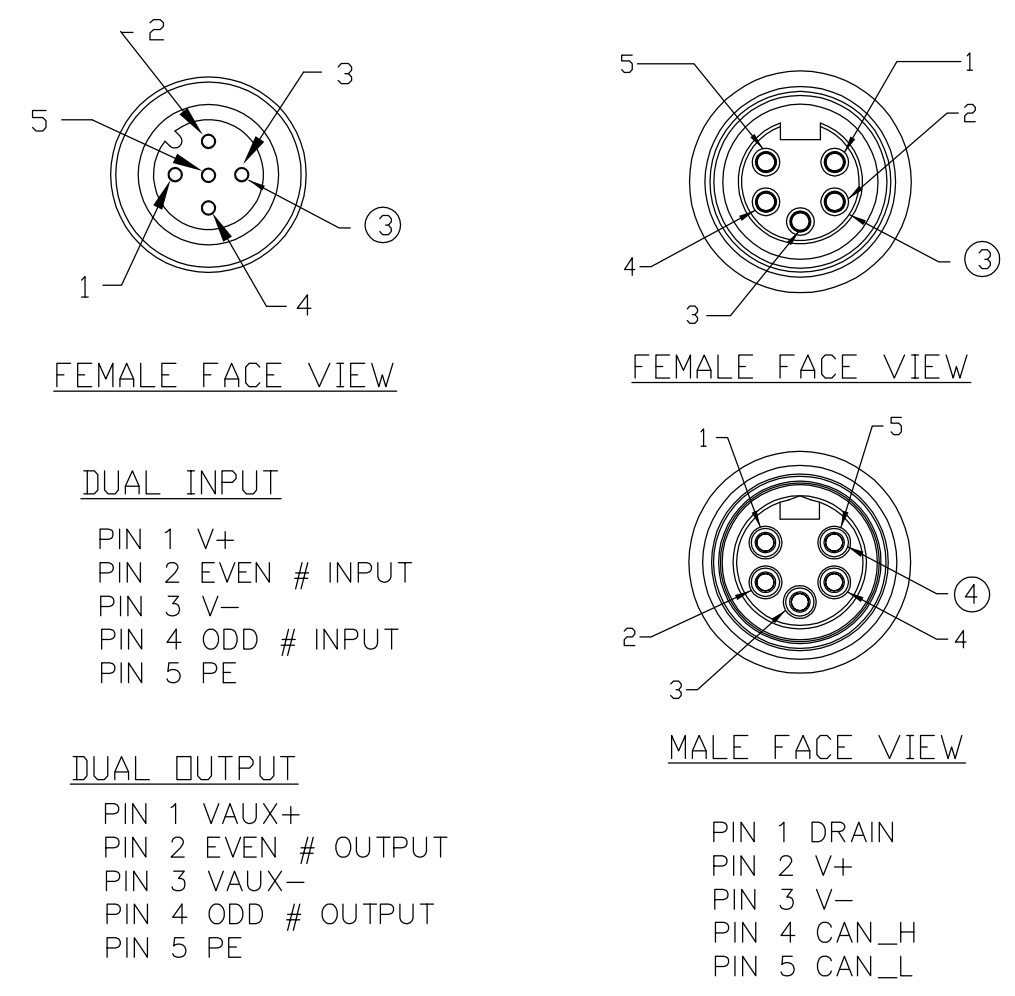
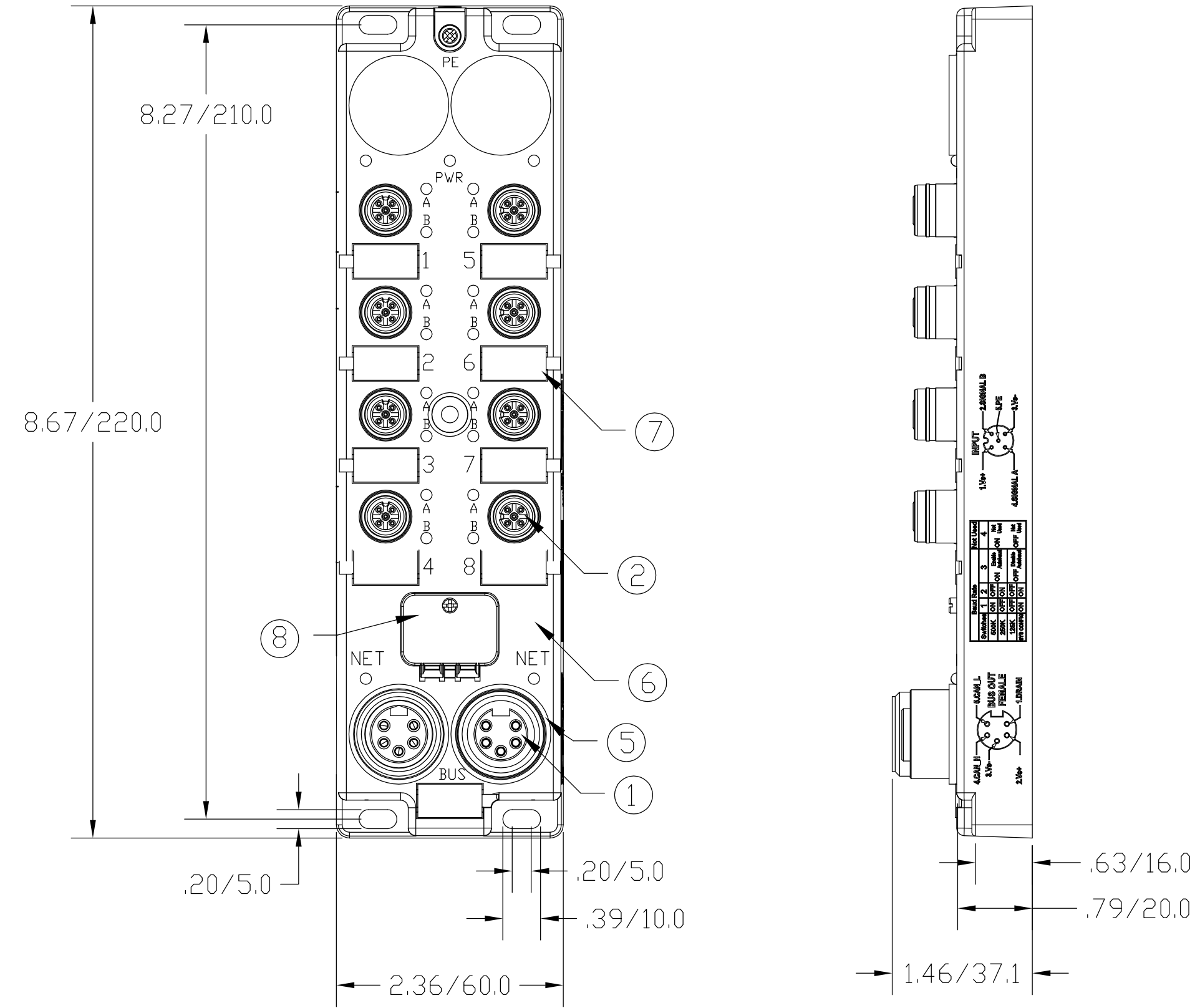
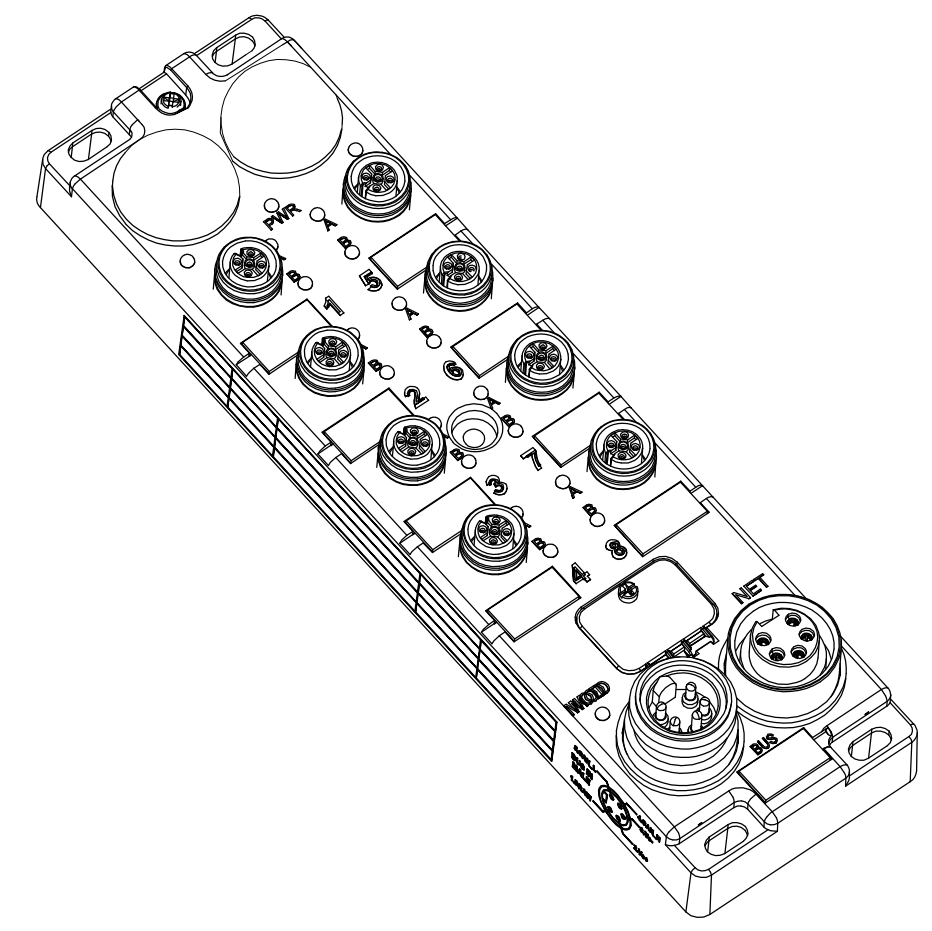
Address: A1208, Overseas Decoration Building, #122 Zhenhua RD., Futian, Shenzhen, China



MATERIAL NUMBER	OLD PART NUMBER
112092-0010	TCDDN-8D0P-10U

INPUTS:
PNP 3-WIRE SENSORS
PORTS 1-8

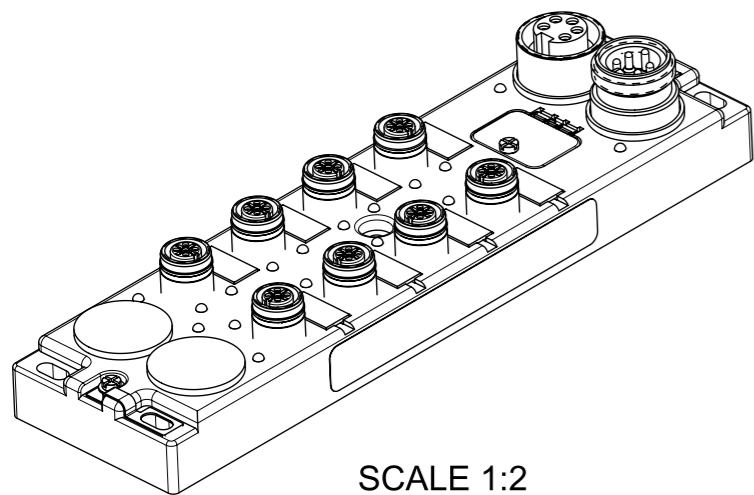
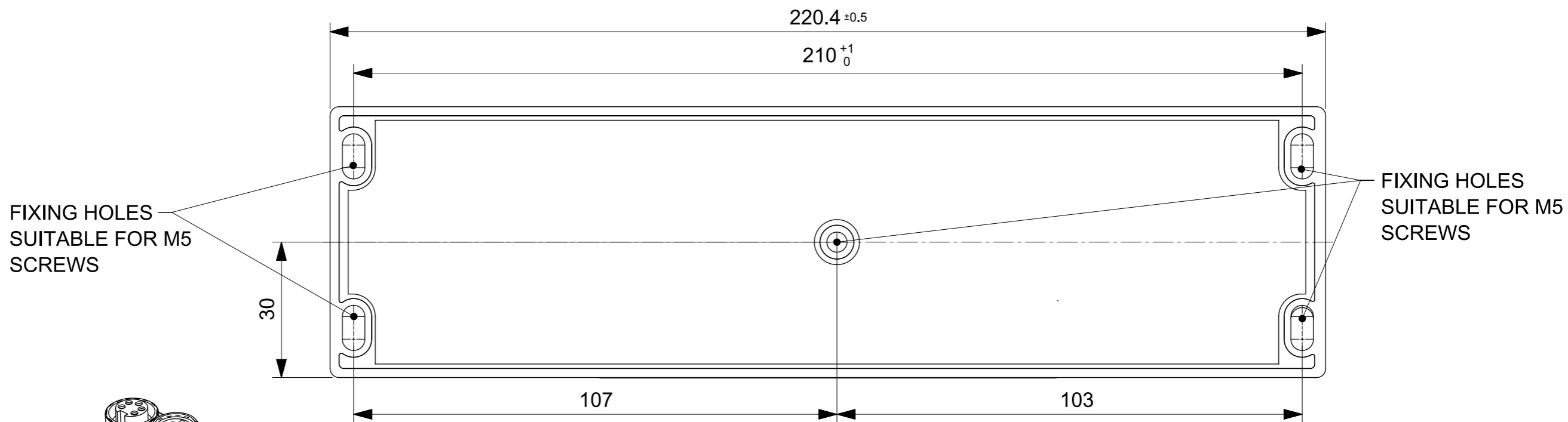
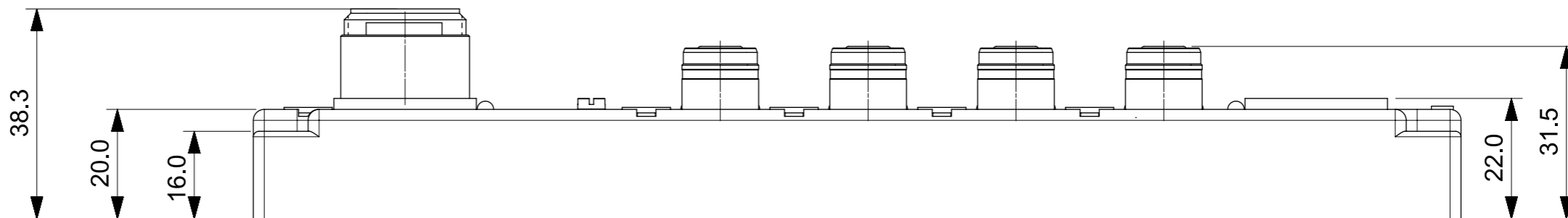
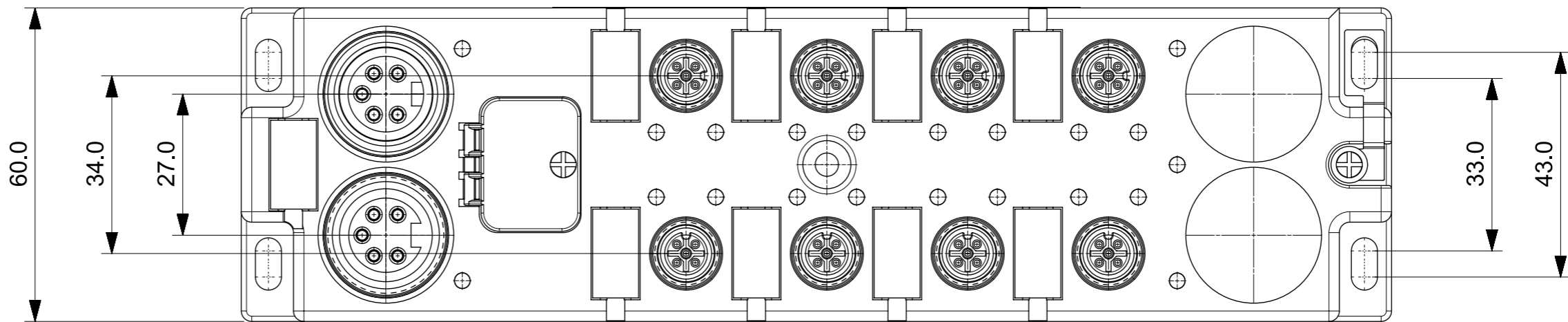
USER MANUAL IS LOCATED ON MOLEX WEBSITE.



PROTECTION	IP67
OPERATING TEMPERATURE	0°C TO 70°C
APPROVALS	ODVA AND CE
UL CERTIFICATIONS	UL LISTED FILE NO. E200650
PRODUCTS CERTIFIED BY UL IN ACCORDANCE WITH CANADIAN REQUIREMENTS	UL LISTED FILE NO. E200650

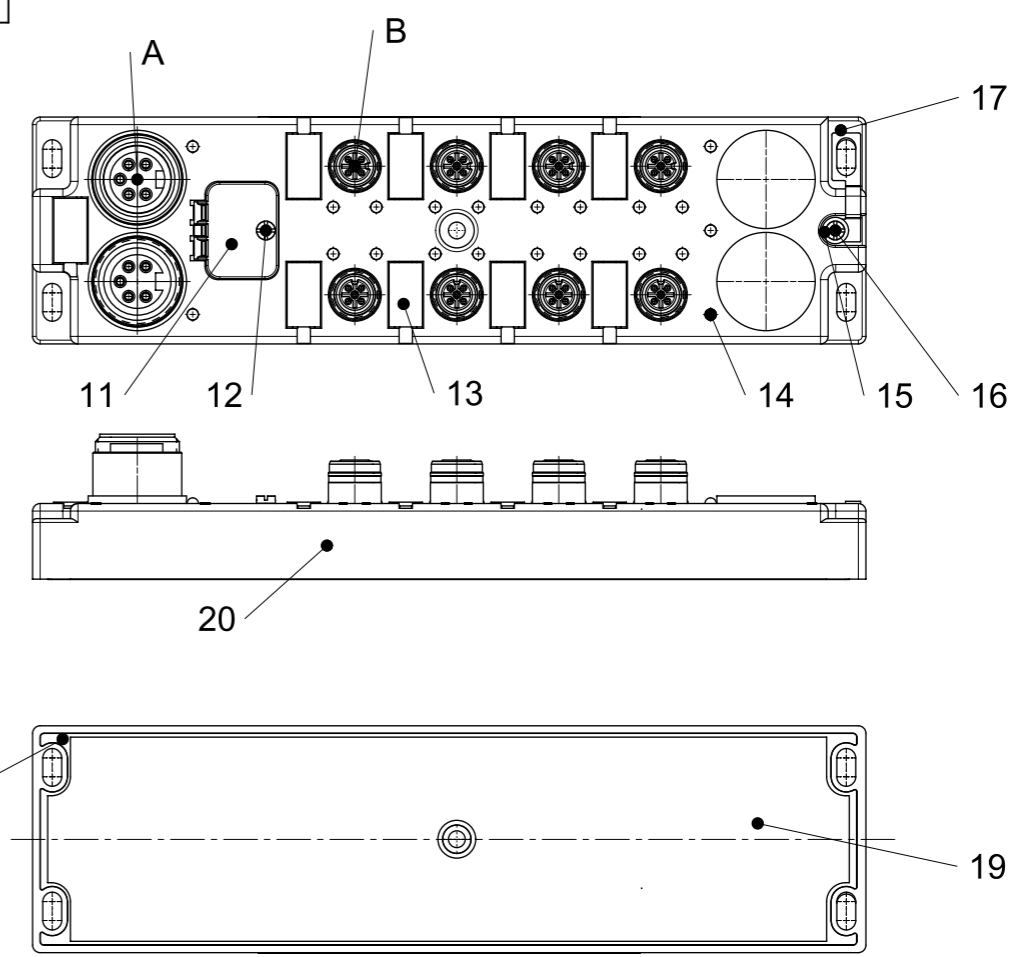
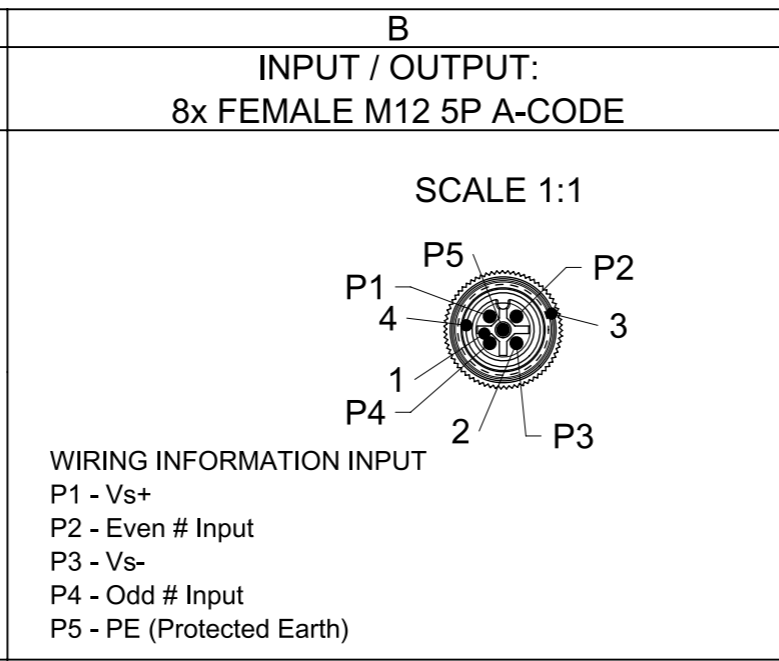
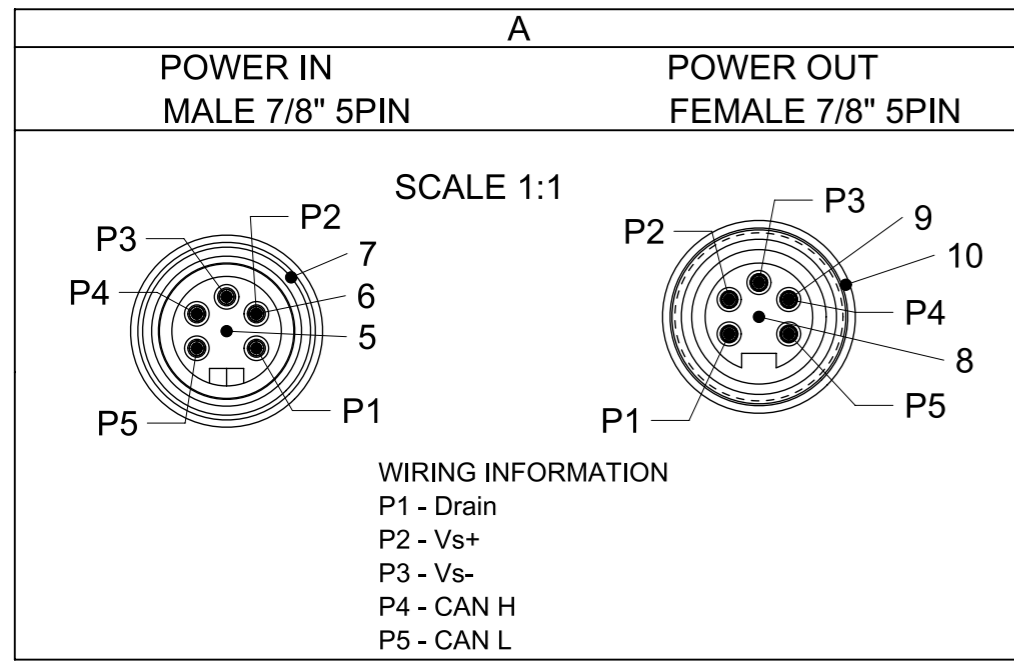
ITEM	COMPONENT	MATERIAL	FINISH
1	MINI INSERT	TPE	GRAY(5-POLE) YELLOW (4-POLE)
2	MICRO INSERT	NYLON 6/6	BLACK
3	CONTACT SOCKET	COPPER ALLOY	GOLD OVER NICKEL
4	CONTACT PIN	COPPER ALLOY	GOLD OVER NICKEL
5	RECEPTACLE SHELL	BRASS	NICKLE PLATED
6	HOUSING	PBT	BLACK
7	LABEL	ABS	WHITE
8	WINDOW	POLYCARBONATE	CLEAR

RLSO DRAWING EC NO: WNA2009-0881 DRWN: BWOODMAN 6/30/09 CH'KD: --- APPR: JFMURPHY 2009/07/08 A	QUALITY SYMBOL ▽=0 ◁=0	GENERAL TOLERANCES (UNLESS SPECIFIED)		DIMENSION STYLE IN/MM		SCALE ---	DESIGN UNITS ---	THIRD ANGLE PROJECTION
		4 PLACES ±---	mm INCH ±--- ±---	DRAWN BY BW	DATE 2009/06/30	TITLE 60MM 16 INPUT PNP DEVICENET MPIS		
		3 PLACES ±---	±--- ±---	CHECKED BY LH	DATE 2009/06/30			
		2 PLACES ±---	±.01	APPROVED BY ---		MOLEX MOLEX INCORPORATED		
1 PLACE ±0.3 ±---		ANGULAR ±---°		MATERIAL NO. SEE CHART		DOCUMENT NO. SD-112092-003	SHEET NO. 1 OF 1	
DRAFT WHERE APPLICABLE MUST REMAIN WITHIN DIMENSIONS				THIS DRAWING CONTAINS INFORMATION THAT IS PROPRIETARY TO MOLEX INCORPORATED AND SHOULD NOT BE USED WITHOUT WRITTEN PERMISSION				



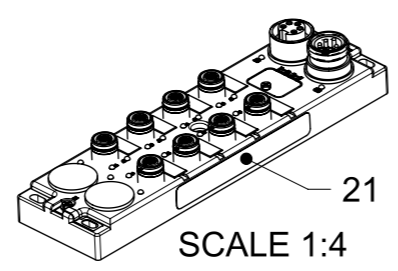
SCALE 1:2

THIS DRAWING CONTAINS INFORMATION THAT IS PROPRIETARY TO MOLEX ELECTRONIC TECHNOLOGIES, LLC AND SHOULD NOT BE USED WITHOUT WRITTEN PERMISSION											
QUALITY SYMBOLS ▽A = 0 ▽E = 0 ▽F = 0 ▼ = 0 ▽C = 0 ⊗ = 0 ■ = 0 ▽ = 0	EC NO: 101575 DRWN: AAHLERS CHK'D: APPR:	2015/10/23 GENERAL TOLERANCES (UNLESS SPECIFIED) ANGULAR TOL ± ° 4 PLACES ± 3 PLACES ± 2 PLACES ± 1 PLACE ± 0.3 0 PLACES ± 0.5 DRAFT WHERE APPLICABLE MUST REMAIN WITHIN DIMENSIONS	DIMENSION UNITS	SCALE							
			MM	1:1							
		DRWN BY		DATE		DBO DN16 60 MM 7/8" 5P AC MA FE U12 5P 8PT DC FE					
		ULETTENMEIER		2015/01/19							
		CHK'D BY		DATE		PRODUCT CUSTOMER DRAWING					
		RSILLER		2015/06/25							
		APPR BY		DATE		SERIES	MATERIAL NUMBER	CUSTOMER			
		A1		REV		112092	1120920010	GENERAL MARKET			
		A3		THIRD ANGLE PROJECTION		DOCUMENT NUMBER		DOC TYPE	DOC PART	SHEET NUMBER	
		A1		3		1120920010		PSD	000	1 OF 3	



BILL OF MATERIAL

ITEM	DESCRIPTION	MATERIAL	FINISH
1	INSERT	TPU	BLACK
2	CONTACT	COPPER ALLOY	GOLD OVERNICKEL
3	SHELL	BRASS	NICKEL PLATET
4	GASKET	FPM	RED
5	INSERT	TPE	GREY
6	CONTACT	COPPER ALLOY	GOLD OVERNICKEL
7	SHELL	BRASS	NICKEL PLATET
8	INSERT	TPE	GREY
9	CONTACT	COPPER ALLOY	GOLD OVER NICKEL
10	SHELL	BRASS	NICKEL PLATET
11	WINDOW	PC	TRANSPARENT
12	SCREW	V2A	V2A
13	LABEL	PC	WHITE
14	FIBER OPTIC	PA	TRANSPARENT
15	WASHER	BRASS	NICKEL PLATET
16	SCREW	V2A	V2A
17	SHIELD PLATE	STAINLESS STEEL	STAINLESS STEEL
18	RESIN	EPOXY	TRANSPARENT
19	LABEL	PVC	WHITE
20	HOUSING	PBT	BLACK
21	LABEL	PVC	YELLOW

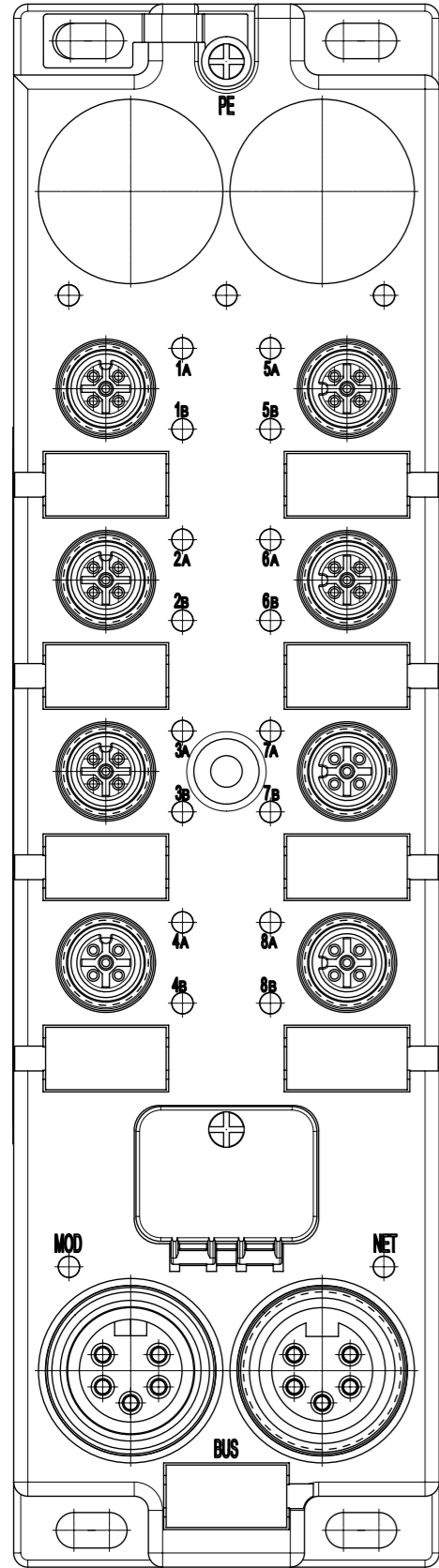


THIS DRAWING CONTAINS INFORMATION THAT IS PROPRIETARY TO MOLEX ELECTRONIC TECHNOLOGIES, LLC AND SHOULD NOT BE USED WITHOUT WRITTEN PERMISSION

QUALITY SYMBOLS A = 0 E = 0 F = 0 G = 0 H = 0 I = 0 J = 0 K = 0 L = 0 M = 0 N = 0 O = 0	EC NO: 101575 DRWN: AAHLERS CHK'D: APPR:	2015/10/23 GENERAL TOLERANCES (UNLESS SPECIFIED) ANGULAR TOL ± ° 4 PLACES ± 3 PLACES ± 2 PLACES ± 1 PLACE ± 0.3 0 PLACES ± 0.5 DRAFT WHERE APPLICABLE MUST REMAIN WITHIN DIMENSIONS	DIMENSION UNITS: MM SCALE: 1:2 DRWN BY: ULETTENMEIER DATE: 2015/01/19 CHK'D BY: DATE: APPR BY: RSILLER DATE: 2015/06/25 DRAWING SIZE: A3 THIRD ANGLE PROJECTION	
	PRODUCT CUSTOMER DRAWING			SERIES: 112092 MATERIAL NUMBER: 1120920010 CUSTOMER: GENERAL MARKET
	DOCUMENT NUMBER: 1120920010 DOC TYPE: PSD DOC PART: 000 SHEET NUMBER: 3 OF 3			
	RELEASE STATUS: RQ RELEASE DATE: 28.10.2015 17:35:57			

TABLE 1 16 IN PRINTING

		DEVICENET 16			3D MODEL NO.
POWER TYPE	INPUT/OUTPUT	ENG. NO	MOLEX P/N		
7/8" 5 POLE	PNP	16I	TCDDN-8D0P-10U	1120920010	1120920010 (PDM)
	NPN	16I	TCDDN-8D0N-10U	1120920019	



16 IN PRINTING

QUALITY SYMBOLS ▽A = 0 ▽E = 0 ▽F = 0 ▼ = 0 ▽C = 0 ⊗ = 0 ■ = 0 ▽ = 0	THIS DRAWING CONTAINS INFORMATION THAT IS PROPRIETARY TO MOLEX ELECTRONIC TECHNOLOGIES, LLC AND SHOULD NOT BE USED WITHOUT WRITTEN PERMISSION										
	2015/10/23 EC NO: 101575 DRWN: AAHLERS CHK'D: APPR:	GENERAL TOLERANCES (UNLESS SPECIFIED)		DIMENSION UNITS	SCALE						
		ANGULAR TOL ± °		MM	1:1						
		4 PLACES ±	DRWN BY		DATE	DBO DN16 60 MM 7/8" 5P AC MA FE U12 5P 8PT DC FE					
		3 PLACES ±	ULETTENMEIER		2015/01/19						
		2 PLACES ±	CHK'D BY		DATE						
	1 PLACE ± 0.3	APPR BY		DATE	PRODUCT CUSTOMER DRAWING						
	0 PLACES ± 0.5	RSILLER		2015/06/25							
	DRAFT WHERE APPLICABLE MUST REMAIN WITHIN DIMENSIONS		DRAWING SIZE	THIRD ANGLE PROJECTION	SERIES	MATERIAL NUMBER	CUSTOMER				
			A3		112092	1120920010	GENERAL MARKET				
					DOCUMENT NUMBER	DOC TYPE	DOC PART	SHEET NUMBER			
					1120920010	PSD	000	2 OF 3			