



Chipsmall Limited consists of a professional team with an average of over 10 year of expertise in the distribution of electronic components. Based in Hongkong, we have already established firm and mutual-benefit business relationships with customers from,Europe,America and south Asia,supplying obsolete and hard-to-find components to meet their specific needs.

With the principle of “Quality Parts,Customers Priority,Honest Operation,and Considerate Service”,our business mainly focus on the distribution of electronic components. Line cards we deal with include Microchip,ALPS,ROHM,Xilinx,Pulse,ON,Everlight and Freescale. Main products comprise IC,Modules,Potentiometer,IC Socket,Relay,Connector.Our parts cover such applications as commercial,industrial, and automotives areas.

We are looking forward to setting up business relationship with you and hope to provide you with the best service and solution. Let us make a better world for our industry!



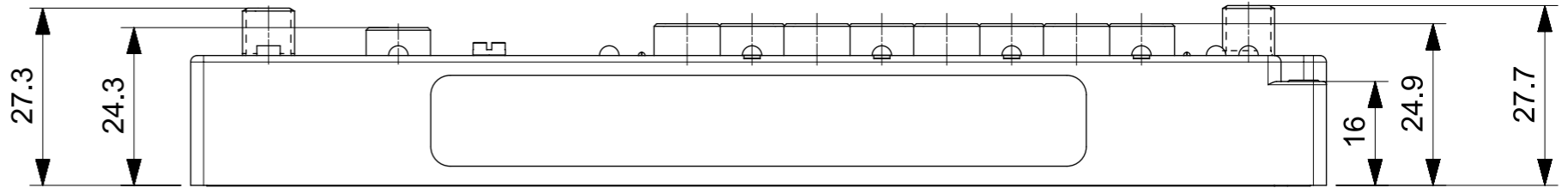
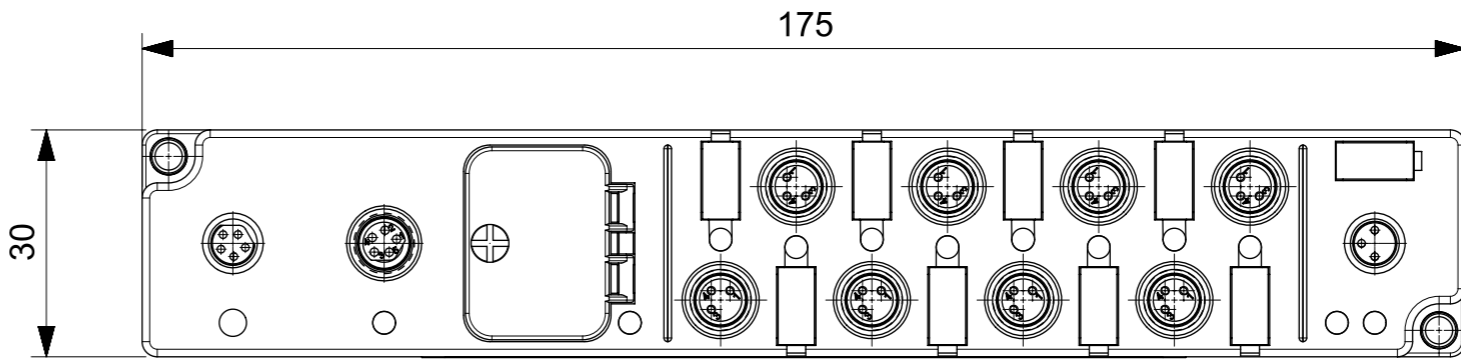
## Contact us

Tel: +86-755-8981 8866 Fax: +86-755-8427 6832

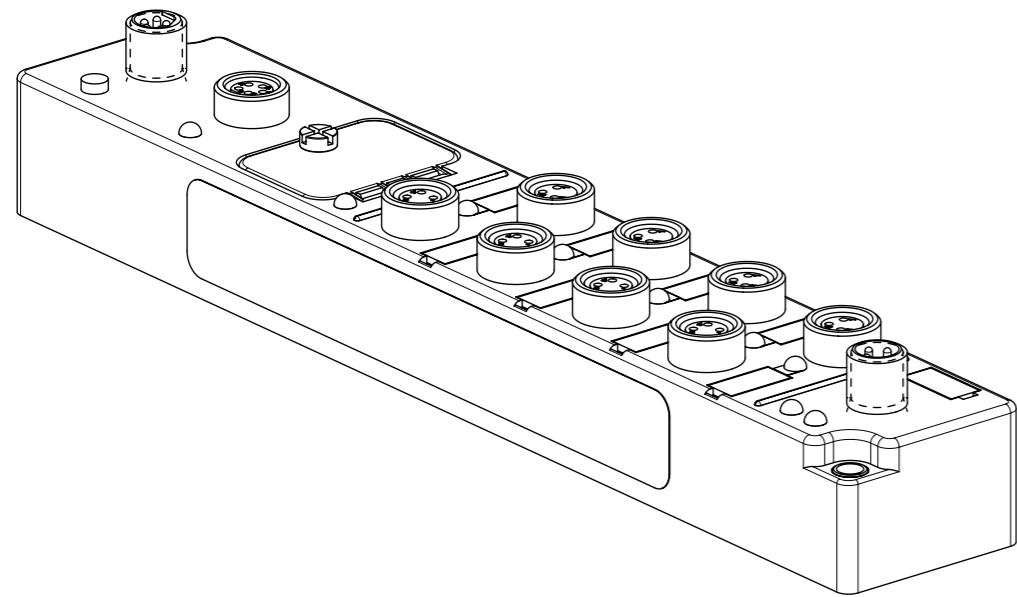
Email & Skype: info@chipsmall.com Web: www.chipsmall.com

Address: A1208, Overseas Decoration Building, #122 Zhenhua RD., Futian, Shenzhen, China





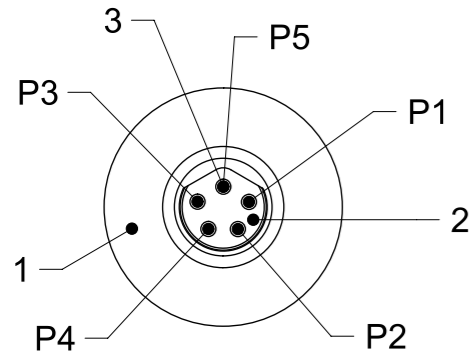
2x FIXING HOLES  
SUITABLE FOR M4  
SCREWS



THIS DRAWING CONTAINS INFORMATION THAT IS PROPRIETARY TO MOLEX INCORPORATED AND SHOULD NOT BE USED WITHOUT WRITTEN PERMISSION

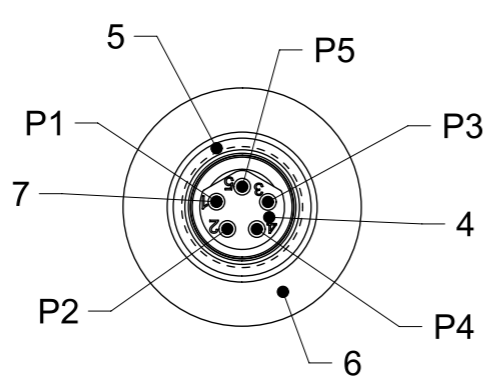
EC DESCRIPTION EC NO: 101382 DRWN: AAHLERS CHK'D: REV APPR:	2015/10/08 2015/10/16 RSILLER	QUALITY SYMBOLS ▽ = 0 ▽ = 0 ▽ = 0 ▼ = 0 ▽ = 0 ☒ = 0 ■ = 0 ▽ = 0	GENERAL TOLERANCES (UNLESS SPECIFIED) ANGULAR TOL ± ° 4 PLACES ± 3 PLACES ± 2 PLACES ± 1 PLACE ± 0 PLACES ± DRAFT WHERE APPLICABLE MUST REMAIN WITHIN DIMENSIONS	DIMENSION UNITS MM	SCALE 1:1					
		DRWN BY ULETTENMEIER	DATE 2015/03/24	DBO DN FULL M8 POWER 30 MM M8 5P MA AC M8 5P FE AC M8 3P 8PT FE M8 3P MA						
		APPR BY RSILLER	DATE 2015/05/20	PRODUCT CUSTOMER DRAWING						
		A1	A3	DRAWING SIZE A3	THIRD ANGLE PROJECTION	SERIES 112092	MATERIAL NUMBER SEE TABLE 1,2	CUSTOMER GENERAL MARKET	DOCUMENT NUMBER 1120925010	DOC TYPE PSD

**A**  
BUS IN:  
1x MALE M8 5P B-CODE



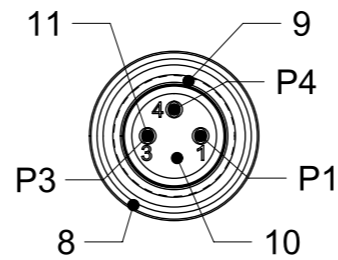
Wiring Information:  
P1: Drain (Shield)  
P2: 24VDC  
P3: CAN\_H  
P4: 0VDC  
P5: CAN\_L

**B**  
BUS OUT:  
1x FEMALE M8 5P B-CODE



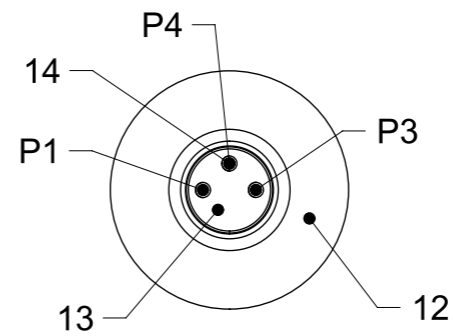
Wiring Information:  
P1: Drain (Shield)  
P2: 24VDC  
P3: CAN\_H  
P4: 0VDC  
P5: CAN\_L

**C**  
INPUT / OUTPUT:  
8x FEMALE M8 3P



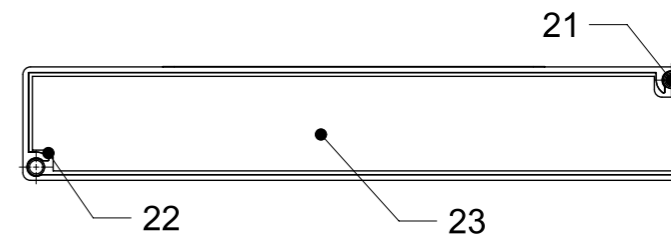
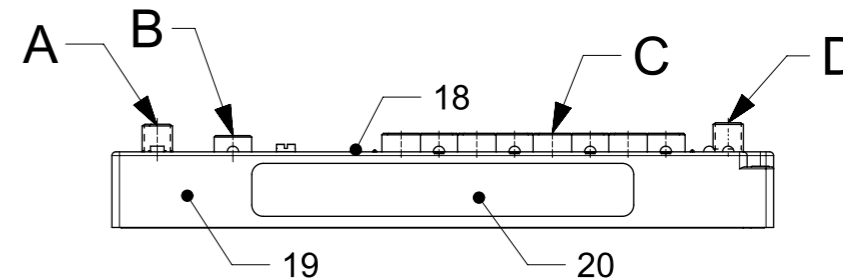
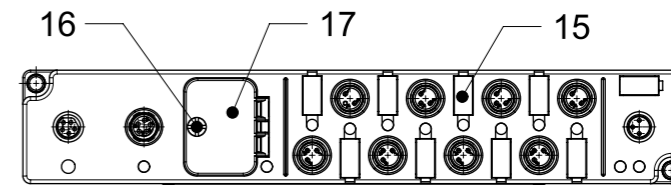
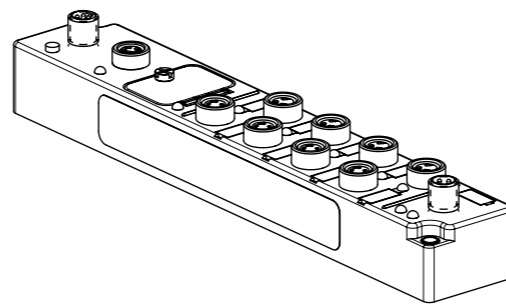
Wiring Information:  
P1: Input Power supply  
P3: GND  
P4: Input / Output

**D**  
POWER  
1X MALE M8 3P



P1: +24 VDC Module Output power  
P3: 0V (Ground)  
P4: PE (Protected Earth)

ITEM	DESCRIPTION	MATERIAL	FINISH
1	SHELL	BRASS	NICKEL PLATET
2	INSERT	TPU	TRANSPARENT
3	CONTACT	COPPER ALLOY	GOLD OVER NICKEL
4	INSERT	TPU	BLACK
5	GASKET	FKM	RED
6	SHELL	BRASS	NICKEL PLATET
7	CONTACT	COPPER ALLOY	GOLD OVER NICKEL
8	SHELL	BRASS	NICKEL PLATET
9	GASKET	FKM	RED
10	INSERT	TPU	BLACK
11	CONTACT	COPPER ALLOY	GOLD OVER NICKEL
12	SHELL	BRASS	NICKEL PLATET
13	INSERT	PA	TRANSPARENT
14	CONTACT	COPPER ALLOY	GOLD OVER NICKEL
15	LABEL	PC	WHITE
16	SCREW	V2A	V2A
17	WINDOW	PC	TRANSPARENT
18	LED	PA	TRANSPARENT
19	HOUSING	PBT	BLACK
20	LABEL	PVC	YELLOW
21	SLEEVE	BRASS	NICKEL
22	RESIN	EPOXY	TRANSPARENT
23	LABEL	PVC	WHITE



THIS DRAWING CONTAINS INFORMATION THAT IS PROPRIETARY TO MOLEX INCORPORATED AND SHOULD NOT BE USED WITHOUT WRITTEN PERMISSION

EC DESCRIPTION EC NO: 101382 DRWN: AAHLERS CHK'D: APPR: RSILLER REV: A1	2015/10/08 2015/10/16	QUALITY SYMBOLS ▽ = 0 ▽ = 0 ▽ = 0 ▽ = 0 ▽ = 0 ▽ = 0 ▽ = 0 ▽ = 0	GENERAL TOLERANCES (UNLESS SPECIFIED) ANGULAR TOL ± ° 4 PLACES ± 3 PLACES ± 2 PLACES ± 1 PLACE ± 0 PLACES ± DRAFT WHERE APPLICABLE MUST REMAIN WITHIN DIMENSIONS	DIMENSION UNITS MM	SCALE 1:1	DRWN BY ULETTENMEIER	DATE 2015/03/24										
	CHK'D: APPR: RSILLER	2015/10/16	2015/10/16	DRWN BY ULETTENMEIER	DATE 2015/03/24	CHK'D BY DATE	APPR BY RSILLER		DATE 2015/05/20	SERIES 112092	MATERIAL NUMBER SEE TABLE 1,2	CUSTOMER GENERAL MARKET					
	REV: A1	2015/10/16	2015/10/16	DRAFT WHERE APPLICABLE MUST REMAIN WITHIN DIMENSIONS	DIMENSION UNITS MM	SCALE 1:1	DRWN BY ULETTENMEIER		DATE 2015/03/24	CHK'D BY DATE	APPR BY RSILLER	DATE 2015/05/20	DRAWING SIZE A3	THIRD ANGLE PROJECTION	SERIES 112092	MATERIAL NUMBER SEE TABLE 1,2	CUSTOMER GENERAL MARKET
	REV: A1	2015/10/16	2015/10/16	DRAFT WHERE APPLICABLE MUST REMAIN WITHIN DIMENSIONS	DIMENSION UNITS MM	SCALE 1:1	DRWN BY ULETTENMEIER		DATE 2015/03/24	CHK'D BY DATE	APPR BY RSILLER	DATE 2015/05/20	DRAWING SIZE A3	THIRD ANGLE PROJECTION	SERIES 112092	MATERIAL NUMBER SEE TABLE 1,2	CUSTOMER GENERAL MARKET

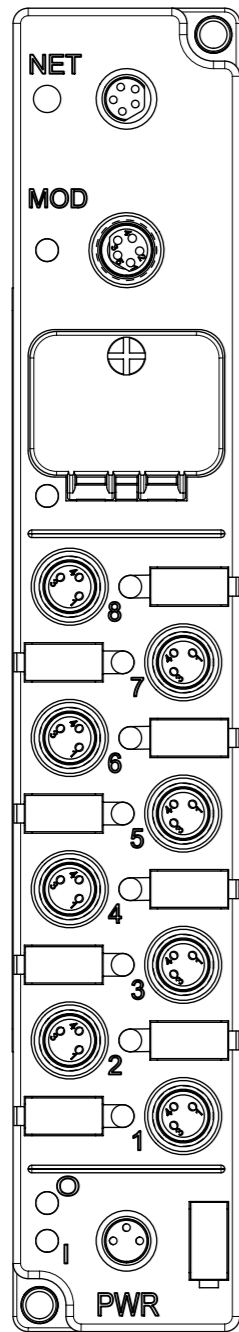
DBO DN FULL M8 POWER 30 MM M8 5P MA AC  
M8 5P FE AC M8 3P 8PT FE M8 3P MA

PRODUCT CUSTOMER DRAWING

DOCUMENT NUMBER	DOC TYPE	DOC PART	SHEET NUMBER
1120925010	PSD	000	2 OF 4


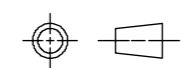
9 8 7 6 5 4 3 2 1

E  
D  
C  
B  
A



8 OUT

TABLE 1 8 OUT					
DeviceNet Full M8 POWER					
POWER TYPE	INPUT / OUTPUT		ENG.NO.	MOLEX P/N	3D MODEL NO.
M8 3 POLE	PNP	8O	TBDDN-808P-H44	1120925010	1120925010 (PDM)

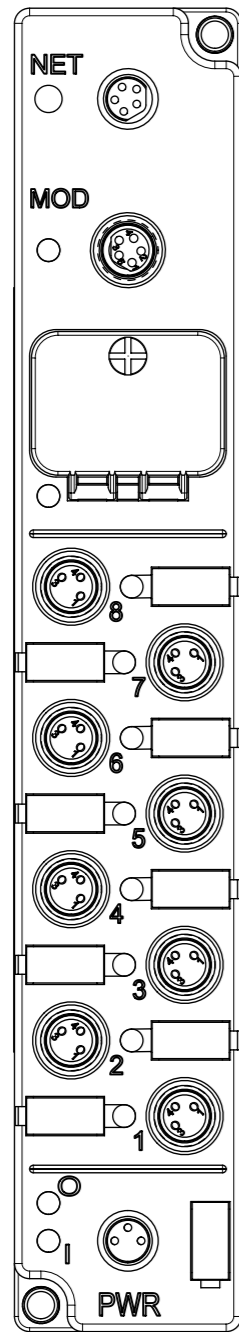
THIS DRAWING CONTAINS INFORMATION THAT IS PROPRIETARY TO MOLEX INCORPORATED AND SHOULD NOT BE USED WITHOUT WRITTEN PERMISSION										
EC DESCRIPTION EC NO: 101382 DRWN: AAHLERS CHK'D: APPR: RSILLER 2015/10/08 2015/10/16	QUALITY SYMBOLS ▽ = 0 ▽ = 0 ▽ = 0 ▼ = 0 ▽ = 0 ☒ = 0 ■ = 0 ▽ = 0	GENERAL TOLERANCES (UNLESS SPECIFIED)		DIMENSION UNITS	SCALE					
		ANGULAR TOL ± °		MM	1:1					
		4 PLACES ±		DRWN BY	DATE	DBO DN FULL M8 POWER 30 MM M8 5P MA AC M8 5P FE AC M8 3P 8PT FE M8 3P MA				
		3 PLACES ±		ULETTENMEIER	2015/03/24					
		2 PLACES ±		CHK'D BY	DATE	PRODUCT CUSTOMER DRAWING				
1 PLACE ±		APPR BY	DATE							
0 PLACES ±		RSILLER	2015/05/20	SERIES	MATERIAL NUMBER	CUSTOMER				
DRAFT WHERE APPLICABLE MUST REMAIN WITHIN DIMENSIONS		DRAWING SIZE		THIRD ANGLE PROJECTION		112092		SEE TABLE 1,2		GENERAL MARKET
A1	REV	A3				DOCUMENT NUMBER		DOC TYPE	DOC PART	SHEET NUMBER
						1120925010		PSD	000	3 OF 4

9 8 7 6 5 4 3 2 1

9 8 7 6 5 4 3 2 1

E  
D  
C  
B  
A

TABLE 2 4 IN / 4 OUT				
DeviceNet Full M8 Power				
POWER TYPE	INPUT / OUTPUT	ENG.NO.	MOLEX P/N	3D MODEL NO.
M8 3 POLE	PNP 4 IN / 4 OUT	TBDDN-844P-H44	1120925013	1121015010 (PDM)



4 IN / 4 OUT

THIS DRAWING CONTAINS INFORMATION THAT IS PROPRIETARY TO MOLEX INCORPORATED AND SHOULD NOT BE USED WITHOUT WRITTEN PERMISSION

EC DESCRIPTION EC NO: 101382 DRWN: AAHLERS CHK'D: APPR: RSILLER 2015/10/08 2015/10/16	QUALITY SYMBOLS	GENERAL TOLERANCES (UNLESS SPECIFIED)	DIMENSION UNITS	SCALE					
	▽ = 0 ▽ = 0 ▽ = 0 ▼ = 0 ▽ = 0 ☒ = 0 ■ = 0 ▽ = 0	ANGULAR TOL ± ° 4 PLACES ± 3 PLACES ± 2 PLACES ± 1 PLACE ± 0 PLACES ± DRAFT WHERE APPLICABLE MUST REMAIN WITHIN DIMENSIONS	MM	1:1					
	REV	APPR	DATE	DRWN BY	DATE	DBO DN FULL M8 POWER 30 MM M8 5P MA AC M8 5P FE AC M8 3P 8PT FE M8 3P MA			
	A1	RSILLER	2015/05/20	ULETTENMEIER	2015/03/24				
					PRODUCT CUSTOMER DRAWING				
					SERIES	MATERIAL NUMBER	CUSTOMER		
					112092	SEE TABLE 1,2	GENERAL MARKET		
					DRAWING SIZE		THIRD ANGLE PROJECTION		
					A3				
					DOCUMENT NUMBER		DOC TYPE	DOC PART	SHEET NUMBER
					1120925010		PSD	000	4 OF 4

9 8 7 6 5 4 3 2 1