



Chipsmall Limited consists of a professional team with an average of over 10 year of expertise in the distribution of electronic components. Based in Hongkong, we have already established firm and mutual-benefit business relationships with customers from,Europe,America and south Asia,supplying obsolete and hard-to-find components to meet their specific needs.

With the principle of “Quality Parts,Customers Priority,Honest Operation,and Considerate Service”,our business mainly focus on the distribution of electronic components. Line cards we deal with include Microchip,ALPS,ROHM,Xilinx,Pulse,ON,Everlight and Freescale. Main products comprise IC,Modules,Potentiometer,IC Socket,Relay,Connector.Our parts cover such applications as commercial,industrial, and automotives areas.

We are looking forward to setting up business relationship with you and hope to provide you with the best service and solution. Let us make a better world for our industry!



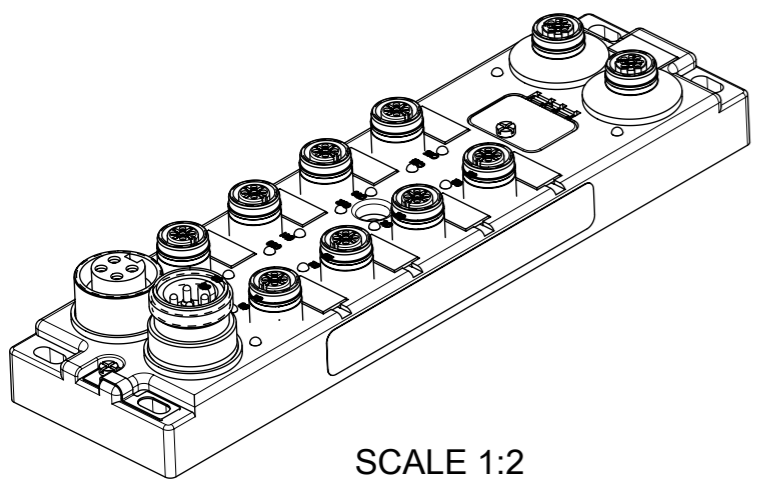
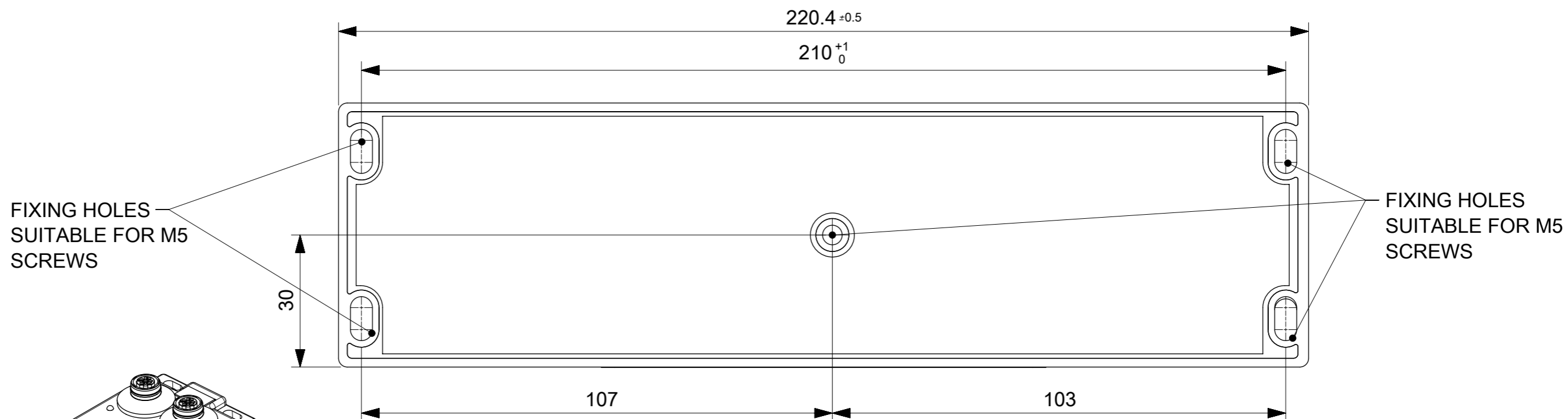
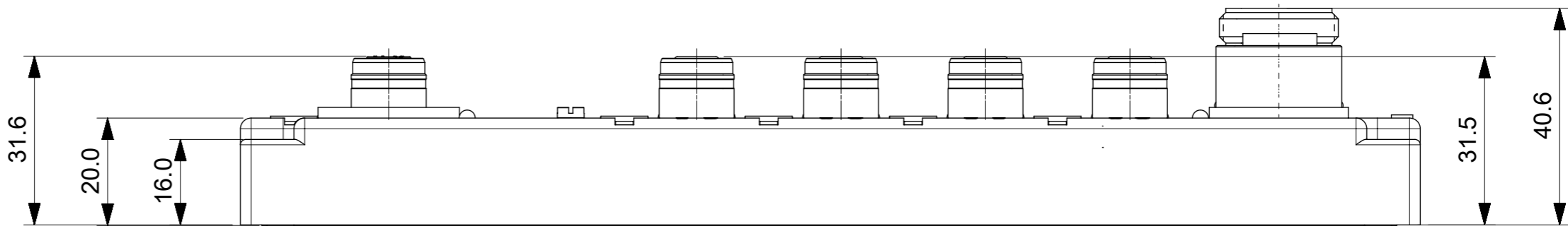
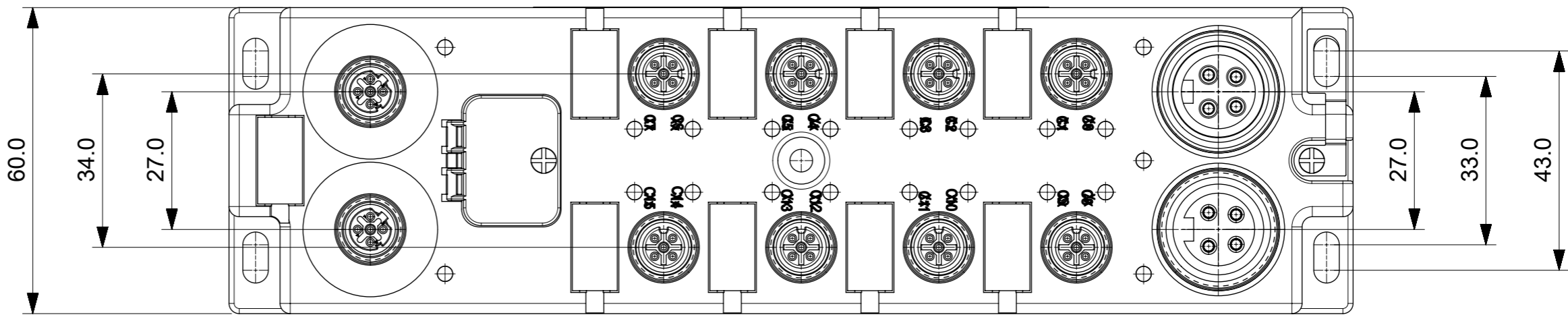
Contact us

Tel: +86-755-8981 8866 Fax: +86-755-8427 6832

Email & Skype: info@chipsmall.com Web: www.chipsmall.com

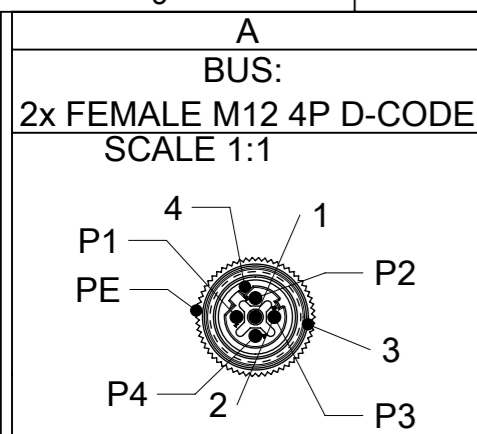
Address: A1208, Overseas Decoration Building, #122 Zhenhua RD., Futian, Shenzhen, China



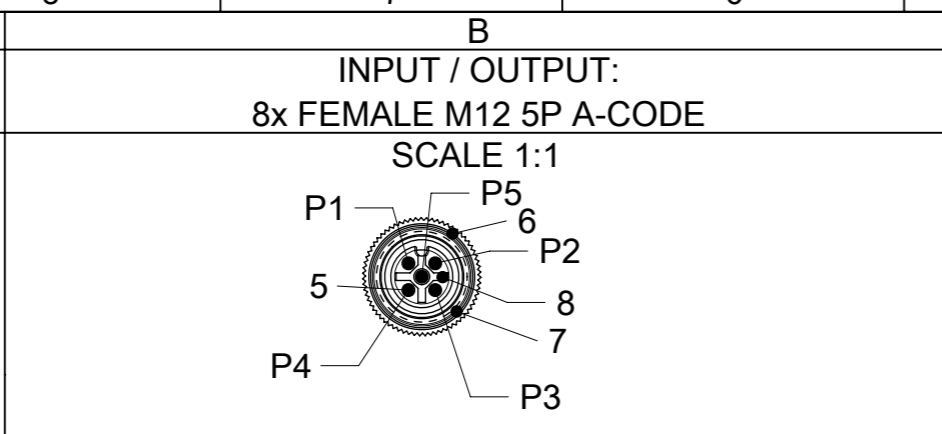


THIS DRAWING CONTAINS INFORMATION THAT IS PROPRIETARY TO MOLEX INCORPORATED AND SHOULD NOT BE USED WITHOUT WRITTEN PERMISSION

EC DESCRIPTION EC NO: 112857 DRWN: ULETTENMEIER 2017/01/26 CHK'D: APPR: RSILLER 2017/01/26	QUALITY SYMBOLS ▽ = 0 ▽ = 0 ▽ = 0 ▼ = 0 ▽ = 0 ☒ = 0 ■ = 0 ▽ = 0	GENERAL TOLERANCES (UNLESS SPECIFIED) ANGULAR TOL ± ° 4 PLACES ± 3 PLACES ± 2 PLACES ± 1 PLACE ± 0.3 0 PLACES ± 0.5 DRAFT WHERE APPLICABLE MUST REMAIN WITHIN DIMENSIONS	DIMENSION UNITS MM DRWN BY ULETTENMEIER CHK'D BY RSILLER APPR BY RSILLER DRAWING SIZE A3	SCALE 1:1 DATE 2015/01/19 DATE 2015/06/25 THIRD ANGLE PROJECTION					
						DBO ETH 60 MM 7/8" 4P/5P AC MA FE U12 5P U12 4P 2PT DC FE			
						PRODUCT CUSTOMER DRAWING			
						SERIES	MATERIAL NUMBER	CUSTOMER	
					112095	SEE TABLE 1,2,3,4,5,6	GENERAL MARKET		
					DOCUMENT NUMBER		DOC TYPE	DOC PART	SHEET NUMBER
					1120950007		PSD	000	1 OF 8

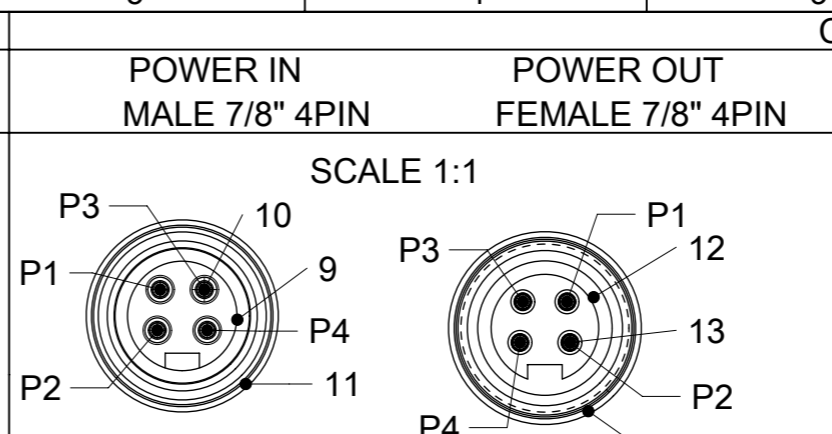


WIRING INFORMATION
P1 TX+
P2 RX+
P3 TX-
P4 RX-

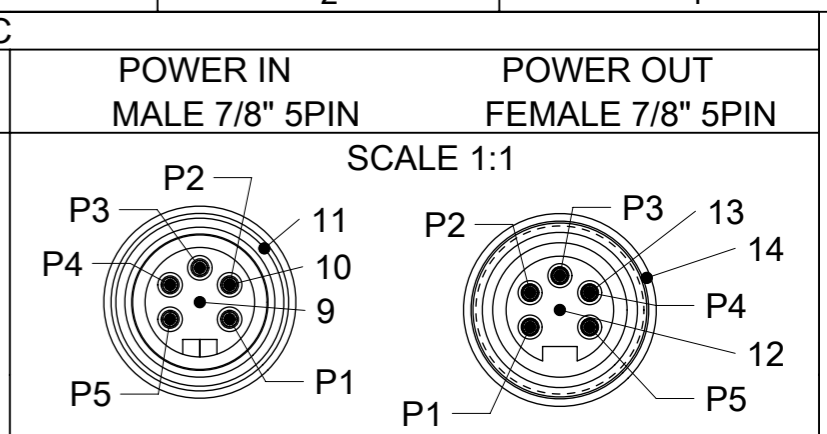


WIRING INFORMATION INPUT
P1 - +24 VDC
P2 - Input (even)
P3 - 0 V (Ground)
P4 - Input (odd)
P5 - PE (Protected Earth)

WIRING INFORMATION OUTPUT
P1 - N/C
P2 - Output (even)
P3 - 0 V (Ground)
P4 - Output (odd)
P5 - PE (Protected Earth)



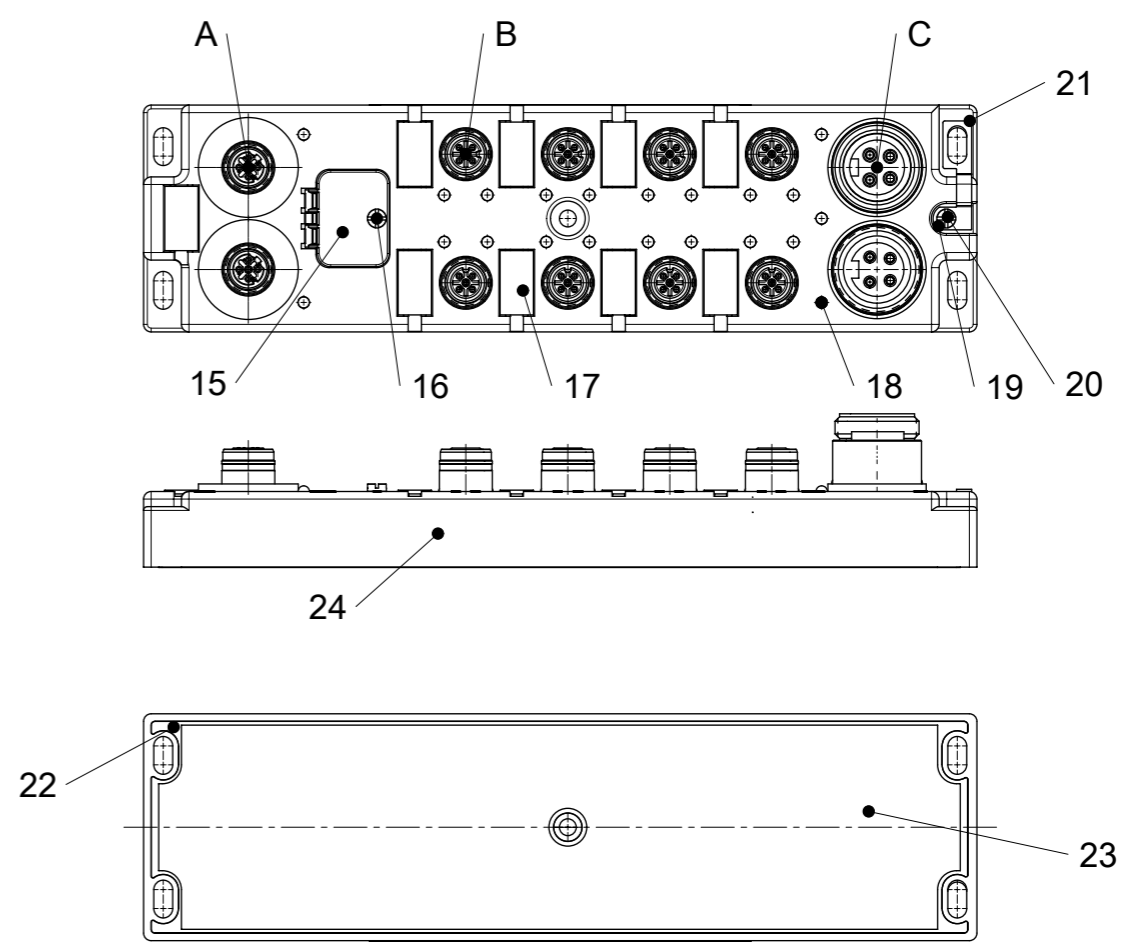
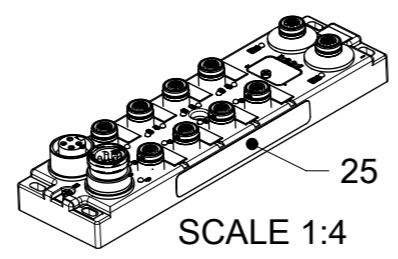
WIRING INFORMATION
P1 - +24 VDC (Outputs Power)
P2 - +24 VDC (Module & Inputs Power)
P3 - 0 V (Module & Inputs Power)
P4 - 0 V (Outputs Power)



WIRING INFORMATION
P1 - 0 V (Outputs Power)
P2 - 0 V (Module & Inputs Power)
P3 - PE (Protected Earth)
P4 - +24 VDC (Module and Inputs Power)
P5 - +24 VDC (Outputs Power)

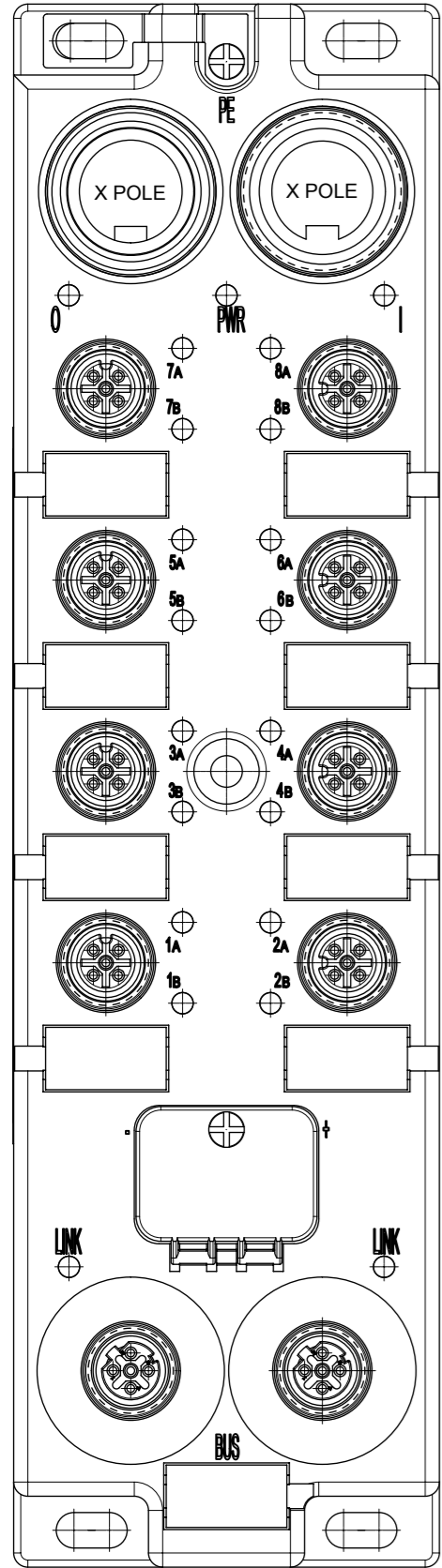
BILL OF MATERIAL

ITEM	DESCRIPTION	MATERIAL	FINISH
1	INSERT	TPU	BLACK
2	CONTACT	COPPER ALLOY	GOLD OVERNICKEL
3	SHELL	BRASS	NICKEL PLATET
4	GASKET	FPM	RED
5	CONTACT	COPPER ALLOY	GOLD OVER NICKEL
6	GASKET	FPM	RED
7	SHELL	BRASS	NICKEL PLATET
8	INSERT	TPU	BLACK
9	INSERT	TPE	YELLOW
10	CONTACT	COPPER ALLOY	GOLD OVERNICKEL
11	SHELL	BRASS	NICKEL PLATET
12	INSERT	TPE	YELLOW
13	CONTACT	COPPER ALLOY	GOLD OVER NICKEL
14	SHELL	BRASS	NICKEL PLATET
15	WINDOW	PC	TRANSPARENT
16	SCREW	V2A	-
17	LABEL	PC	WHITE
18	FIBER OPTIC	PA	TRANSPARENT
19	WASHER	BRASS	NICKEL PLATET
20	SCREW	V2A	-
21	SHIELD PLATE	STAINLESS STEEL	-
22	RESIN	EPOXY	TRANSPARENT
23	LABEL	PVC	WHITE
24	HOUSING	PBT	BLACK
25	LABEL	PVC	YELLOW



THIS DRAWING CONTAINS INFORMATION THAT IS PROPRIETARY TO MOLEX INCORPORATED AND SHOULD NOT BE USED WITHOUT WRITTEN PERMISSION

EC DESCRIPTION EC NO: 112857 DRWN: ULETTENMEIER 2017/01/26 CHK'D: APPR: RSILLER 2017/01/26	QUALITY SYMBOLS	GENERAL TOLERANCES (UNLESS SPECIFIED)	DIMENSION UNITS	SCALE				
	= 0 = 0 = 0 = 0 = 0 = 0 = 0 = 0	ANGULAR TOL ± 4 PLACES ± 3 PLACES ± 2 PLACES ± 1 PLACE ± 0.3 0 PLACES ± 0.5	MM	1:2				
		DRAFT WHERE APPLICABLE MUST REMAIN WITHIN DIMENSIONS	DRWN BY	DATE				
			ULETTENMEIER	2015/01/19				
			CHK'D BY	DATE	DBO ETH 60 MM 7/8" 4P/5P AC MA FE U12 5P U12 4P 2PT DC FE			
		APPR BY	DATE					
		RSILLER	2015/06/25					
		DRAWING SIZE	THIRD ANGLE PROJECTION					
			A3		PRODUCT CUSTOMER DRAWING			
					SERIES	MATERIAL NUMBER	CUSTOMER	
					112095	SEE TABLE 1,2,3,4,5,6	GENERAL MARKET	
					DOCUMENT NUMBER	DOC TYPE	DOC PART	SHEET NUMBER
					1120950007	PSD	000	2 OF 8

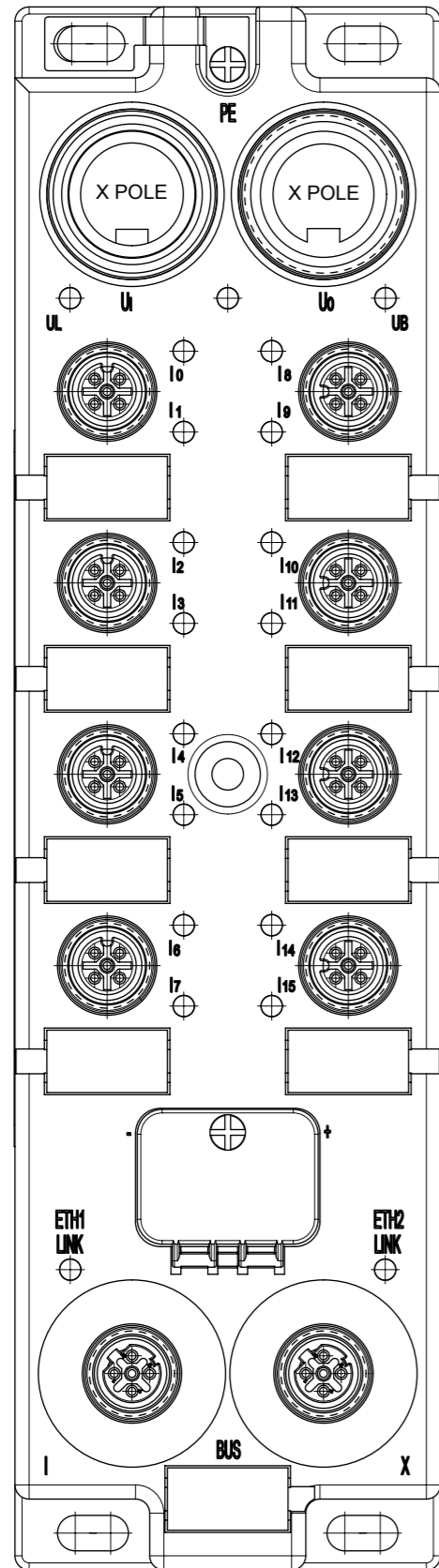


UNIVERSAL PRINTING

TABLE 1 UNIVERSAL PRINTING										
POWER TYPE	INPUT / OUTPUT	MODBUS TCP		EtherNet/IP		PROFINET		3D MODEL NO.		
		ENG.NO.	MOLEX P/N	ENG.NO.	MOLEX P/N	ENG.NO.	MOLEX P/N			
7/8" 5 POLE	NPN	16I	TCDEM-8D0N-D1U	1120950007	TCDEI-8D0N-D1U	1120955003	TCDEP-8D0N-D1U	1120955029	1120950007 (PDM)	
		14I / 2O	TCDEM-8C2N-D1U	1120950005	TCDEI-8C2N-D1U	1120955004	TCDEP-8C2N-D1U	1120955030		
		12I / 4O	TCDEM-8B4N-D1U	1120950003	TCDEI-8B4N-D1U	1120955005	TCDEP-8B4N-D1U	1120955031		
		8I / 8O	TCDEM-888N-D1U	1120950001	TCDEI-888N-D1U	1120955006	TCDEP-888N-D1U	1120955032		
	16 USER CONFIG.	TCDEM-8YYX-D1U	1120950009	TCDEI-8YYX-D1U	1120955011	TCDEP-8YYX-D1U	1120955037			
	PNP	16I	TCDEM-8D0P-D1U	1120950008	TCDEI-8D0P-D1U	1120955007	TCDEP-8D0P-D1U	1120955033		
		14I / 2O	TCDEM-8C2P-D1U	1120950006	TCDEI-8C2P-D1U	1120955008	TCDEP-8C2P-D1U	1120955034		
		12I / 4O	TCDEM-8B4P-D1U	1120950004	TCDEI-8B4P-D1U	1120955009	TCDEP-8B4P-D1U	1120955035		
8I / 8O		TCDEM-888P-D1U	1120950002	TCDEI-888P-D1U	1120955010	TCDEP-888P-D1U	1120955036			
7/8" 4 POLE	NPN	16I	TCDEM-8D0N-DYU	1120955021	TCDEI-8D0N-DYU	1120955012			1120950007 (PDM)	
		14I / 2O	TCDEM-8C2N-DYU	1120955022	TCDEI-8C2N-DYU	1120955013				
		12I / 4O	TCDEM-8B4N-DYU	1120955023	TCDEI-8B4N-DYU	1120955014				
		8I / 8O	TCDEM-888N-DYU	1120955024	TCDEI-888N-DYU	1120955015				
	16 USER CONFIG.	TCDEM-8YYX-DYU	1120955038	TCDEI-8YYX-DYU	1120955020					
	PNP	16I	TCDEM-8D0P-DYU	1120955025	TCDEI-8D0P-DYU	1120955016				
		14I / 2O	TCDEM-8C2P-DYU	1120955026	TCDEI-8C2P-DYU	1120955017				
		12I / 4O	TCDEM-8B4P-DYU	1120955027	TCDEI-8B4P-DYU	1120955018				
8I / 8O		TCDEM-888P-DYU	1120955028	TCDEI-888P-DYU	1120955019					

THIS DRAWING CONTAINS INFORMATION THAT IS PROPRIETARY TO MOLEX INCORPORATED AND SHOULD NOT BE USED WITHOUT WRITTEN PERMISSION

EC DESCRIPTION EC NO: 112857 DRWN: ULETTENMEIER 2017/01/26 CHK'D: APPR: RSILLER 2017/01/26	QUALITY SYMBOLS ▽ = 0 ▽ = 0 ▽ = 0 ▼ = 0 ▽ = 0 ⊠ = 0 ■ = 0 ▽ = 0	GENERAL TOLERANCES (UNLESS SPECIFIED) ANGULAR TOL ± ° 4 PLACES ± 3 PLACES ± 2 PLACES ± 1 PLACE ± 0.3 0 PLACES ± 0.5 DRAFT WHERE APPLICABLE MUST REMAIN WITHIN DIMENSIONS	DIMENSION UNITS MM SCALE 1:1 DRWN BY ULETTENMEIER DATE 2015/01/19 CHK'D BY DATE APPR BY RSILLER DATE 2015/06/25 DRAWING SIZE A3 THIRD ANGLE PROJECTION	
	PRODUCT CUSTOMER DRAWING SERIES: 112095 MATERIAL NUMBER: SEE TABLE 1,2,3,4,5,6 CUSTOMER: GENERAL MARKET		DBO ETH 60 MM 7/8" 4P/5P AC MA FE U12 5P U12 4P 2PT DC FE	
DOCUMENT NUMBER: 1120950007 DOC TYPE: PSD DOC PART: 000 SHEET NUMBER: 3 OF 8				



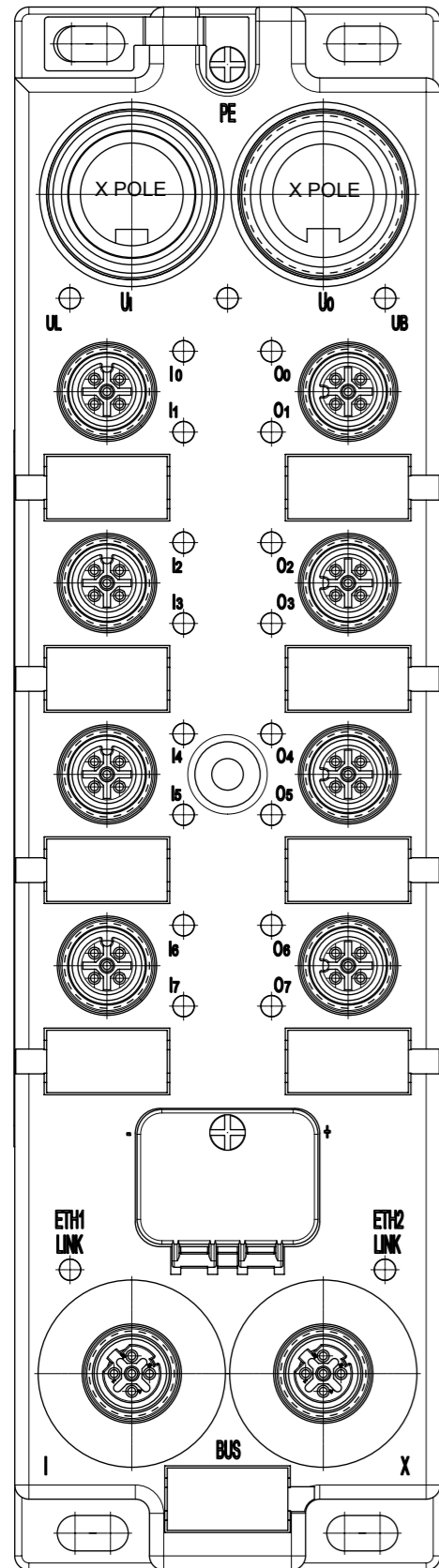
16 IN PRINTING

TABLE 2 16 IN PRINTING

POWER TYPE	INPUT/OUTPUT	EtherNet/IP		PROFINET		3D MODEL NO.	
		ENG. NO	MOLEX P/N	ENG. NO	MOLEX P/N		
7/8" 5 POLE	PNP	16I	TCDEI-8D0P-D1U-G	1120955060	TCDEP-8D0P-D1U-G	1120955048	1120950007 (PDM)
		16I	TCDEI-8D0P-DYU-G	1120955040	TCDEP-8D0P-DYU-G	1120955052	1120950007 (PDM)
16I		TCDEI-8DOP-DYU-G01	1120955002				
16I		TCDEI-8D0P-DYU-G02	1120955137				

THIS DRAWING CONTAINS INFORMATION THAT IS PROPRIETARY TO MOLEX INCORPORATED AND SHOULD NOT BE USED WITHOUT WRITTEN PERMISSION

EC DESCRIPTION EC NO: 112857 DRWN: ULETTENMEIER 2017/01/26 CHK'D: APPR: RSILLER 2017/01/26	QUALITY SYMBOLS	GENERAL TOLERANCES (UNLESS SPECIFIED) ANGULAR TOL ± ° 4 PLACES ± 3 PLACES ± 2 PLACES ± 1 PLACE ± 0.3 0 PLACES ± 0.5 DRAFT WHERE APPLICABLE MUST REMAIN WITHIN DIMENSIONS	DIMENSION UNITS	SCALE		
	▽ = 0 ▽ = 0 ▽ = 0 ▼ = 0 ▽ = 0 ☒ = 0 ■ = 0 ▽ = 0		MM	1:1		
	DRWN BY ULETTENMEIER DATE 2015/01/19		CHK'D BY DATE	APPR BY RSILLER DATE 2015/06/25		SERIES 112095 MATERIAL NUMBER SEE TABLE 1,2,3,4,5,6 CUSTOMER GENERAL MARKET
	DRAWING SIZE A3		THIRD ANGLE PROJECTION	PRODUCT CUSTOMER DRAWING DOCUMENT NUMBER 1120950007 DOC TYPE PSD DOC PART 000 SHEET NUMBER 4 OF 8		



8I/8O IN PRINTING

TABLE 3 8I/8O PRINTING

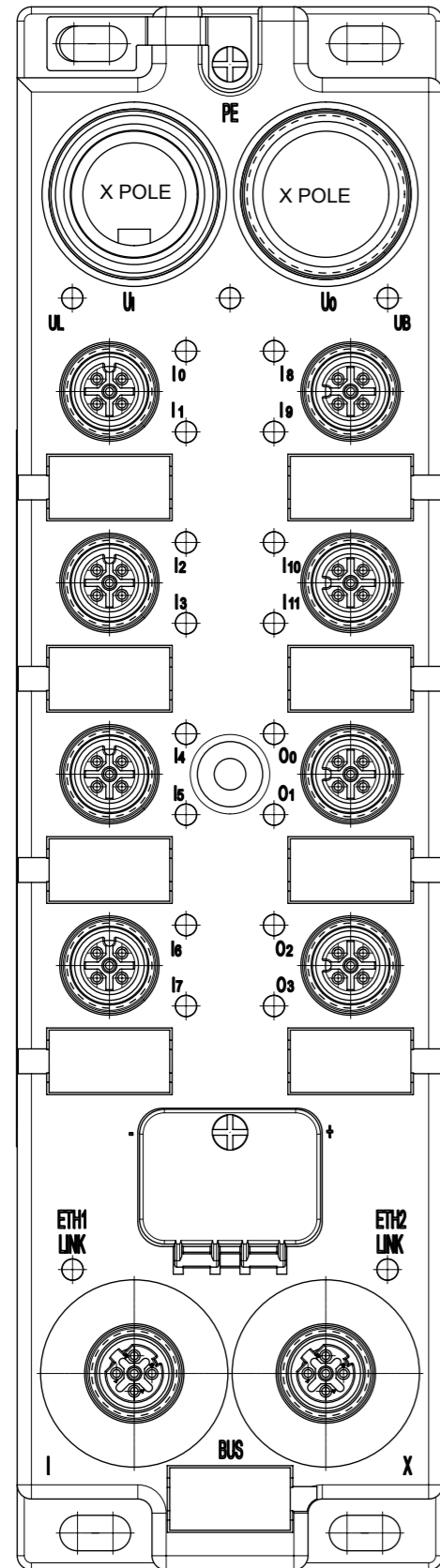
POWER TYPE	INPUT/OUTPUT	EtherNet/IP		PROFINET		3D MODEL NO.
		ENG. NO	MOLEX P/N	ENG. NO	MOLEX P/N	
7/8" 5 POLE	8I/8O	TCDEI-888P-D1U-G	1120955061	TCDEP-888P-D1U-G	1120955050	1120950007 (PDM)
	8IN/4M	TCDEI-88MP-D1U-G	1120955118			
7/8" 4 POLE	PNP	8I/8O	TCDEI-888P-DYU-G	1120955041	TCDEP-888P-DYU-G	1120955053
			TCDEI-888P-DYU-G01	1120955072		
			TCDEI-888P-DYU-G02	1120955138		

THIS DRAWING CONTAINS INFORMATION THAT IS PROPRIETARY TO MOLEX INCORPORATED AND SHOULD NOT BE USED WITHOUT WRITTEN PERMISSION

EC DESCRIPTION EC NO: 112857 DRWN: ULETTENMEIER 2017/01/26 CHK'D: APPR: RSILLER 2017/01/26	QUALITY SYMBOLS	GENERAL TOLERANCES (UNLESS SPECIFIED) ANGULAR TOL ± ° 4 PLACES ± 3 PLACES ± 2 PLACES ± 1 PLACE ± 0.3 0 PLACES ± 0.5 DRAFT WHERE APPLICABLE MUST REMAIN WITHIN DIMENSIONS	DIMENSION UNITS	SCALE				
	<input type="checkbox"/> = 0 <input type="checkbox"/> = 0 <input type="checkbox"/> = 0 <input type="checkbox"/> = 0 <input type="checkbox"/> = 0 <input type="checkbox"/> = 0 <input type="checkbox"/> = 0 <input type="checkbox"/> = 0		MM	1:1				
			DRWN BY	DATE		DBO ETH 60 MM 7/8" 4P/5P AC MA FE U12 5P U12 4P 2PT DC FE		
			ULETTENMEIER	2015/01/19				
			CHK'D BY	DATE		PRODUCT CUSTOMER DRAWING		
	APPR BY	DATE	SERIES	MATERIAL NUMBER	CUSTOMER			
	RSILLER	2015/06/25	112095	SEE TABLE 1,2,3,4,5,6	GENERAL MARKET			
A2	REV		DRAWING SIZE	THIRD ANGLE PROJECTION	DOCUMENT NUMBER	DOC TYPE	DOC PART	SHEET NUMBER
			A3		1120950007	PSD	000	5 OF 8

TABLE 4 12I/4O PRINTING

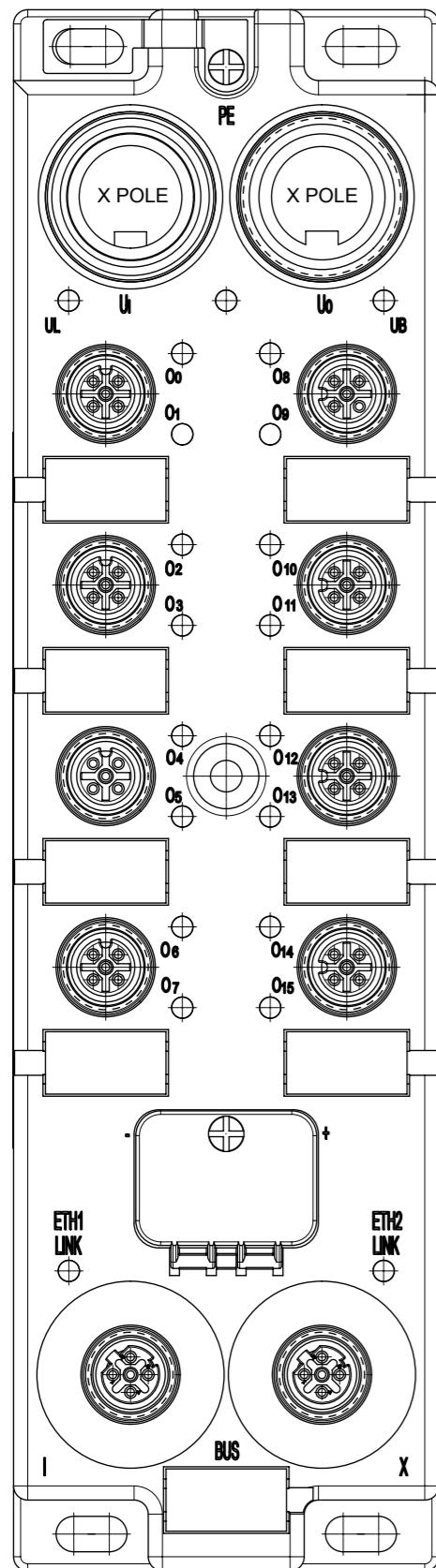
POWER TYPE	INPUT/OUTPUT	EtherNet/IP		PROFINET		3D MODEL NO.	
		ENG. NO	MOLEX P/N	ENG. NO	MOLEX P/N		
7/8" 5 POLE	PNP	12I/4O	TCDEI-8B4P-D1U-G	1120955063	TCDEP-8B4P-D1U-G	1120955051	1120950007 (PDM)
7/8" 4 POLE		12I/4O	TCDEI-8B4P-DYU-G	1120955043	TCDEP-8B4P-DYU-G	1120955054	1120950007 (PDM)
		12I/4O	TCDEI-8B4P-DYU-G01	1120955073			



12I/4O PRINTING

THIS DRAWING CONTAINS INFORMATION THAT IS PROPRIETARY TO MOLEX INCORPORATED AND SHOULD NOT BE USED WITHOUT WRITTEN PERMISSION

EC DESCRIPTION EC NO: 112857 DRWN: ULETTENMEIER 2017/01/26 CHK'D: APPR: RSILLER 2017/01/26	QUALITY SYMBOLS	GENERAL TOLERANCES (UNLESS SPECIFIED)	DIMENSION UNITS	SCALE				
	▽ = 0 ▽ = 0 ▽ = 0 ▼ = 0 ▽ = 0 ☒ = 0 ■ = 0 ▽ = 0	ANGULAR TOL ± ° 4 PLACES ± 3 PLACES ± 2 PLACES ± 1 PLACE ± 0.3 0 PLACES ± 0.5	MM	1:1		DBO ETH 60 MM 7/8" 4P/5P AC MA FE U12 5P U12 4P 2PT DC FE		
		DRAFT WHERE APPLICABLE MUST REMAIN WITHIN DIMENSIONS	DRWN BY	DATE				
			ULETTENMEIER	2015/01/19				
			CHK'D BY	DATE	PRODUCT CUSTOMER DRAWING			
			RSILLER	2015/06/25				
			APPR BY	DATE	SERIES	MATERIAL NUMBER	CUSTOMER	
					112095	SEE TABLE 1,2,3,4,5,6	GENERAL MARKET	
			DRAWING SIZE	THIRD ANGLE PROJECTION	DOCUMENT NUMBER	DOC TYPE	DOC PART	SHEET NUMBER
			A3		1120950007	PSD	000	6 OF 8



160 PRINTING

TABLE 5 160 PRINTING

POWER TYPE	INPUT/OUTPUT	EtherNet/IP		PROFINET		3D MODEL NO.	
		ENG. NO	MOLEX P/N	ENG. NO	MOLEX P/N		
7/8" 5 POLE	PNP	160	TCDEI-80DP-D1U-G	1120955062	TCDEP-80DP-D1U-G	1120955049	1120950007 (PDM)
7/8" 4 POLE		160	TCDEI-80DP-DYU-G	1120955042	TCDEP-80DP-DYU-G	1120955055	1120950007 (PDM)
		160	TCDEI-80D8-DYU-G01	1120955074			

THIS DRAWING CONTAINS INFORMATION THAT IS PROPRIETARY TO MOLEX INCORPORATED AND SHOULD NOT BE USED WITHOUT WRITTEN PERMISSION

EC DESCRIPTION EC NO: 112857 DRWN: ULETTENMEIER 2017/01/26 CHK'D: APPR: RSILLER 2017/01/26	QUALITY SYMBOLS	GENERAL TOLERANCES (UNLESS SPECIFIED)	DIMENSION UNITS	SCALE			
	▽ = 0	ANGULAR TOL ± °	MM	1:1			
	▽ = 0	4 PLACES ±	DRWN BY	DATE			
	▽ = 0	3 PLACES ±	ULETTENMEIER	2015/01/19			
▽ = 0	2 PLACES ±	1 PLACE ± 0.3	CHK'D BY	DATE	DBO ETH 60 MM 7/8" 4P/5P AC MA FE U12 5P U12 4P 2PT DC FE		
▽ = 0	0 PLACES ± 0.5	APPR BY	DATE				
▽ = 0	DRAFT WHERE APPLICABLE MUST REMAIN WITHIN DIMENSIONS	RSILLER	2015/06/25				
A2	REV	DRAWING SIZE	THIRD ANGLE PROJECTION	SERIES	MATERIAL NUMBER	CUSTOMER	
		A3		112095	SEE TABLE 1,2,3,4,5,6	GENERAL MARKET	
				DOCUMENT NUMBER	DOC TYPE	DOC PART	SHEET NUMBER
				1120950007	PSD	000	7 OF 8

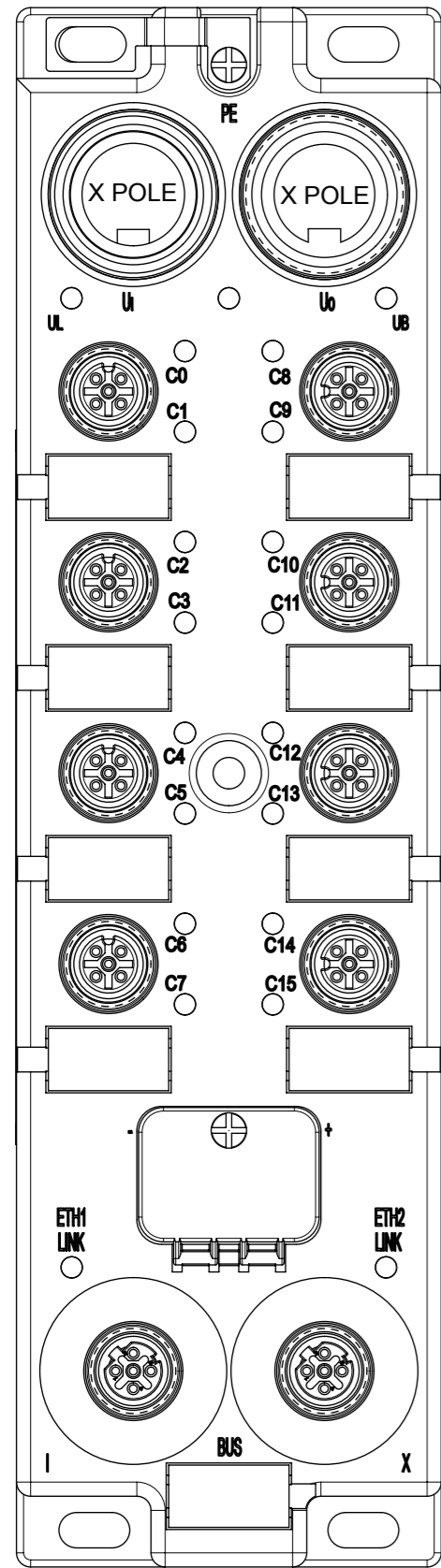


TABLE 6 16 USER CONFIG PRINTING

		PROFINET		3D MODEL NO.
POWER TYPE	INPUT/OUTPUT	ENG. NO	MOLEX P/N	
7/8" 5 POLE	USER CONFIG	TCDEP-8YYX-D1U-01	1120955115	1120950007 (PDM)
7/8" 4 POLE		TCDEP-8YYX-DYU-01	1120955114	

QUALITY SYMBOLS 	THIS DRAWING CONTAINS INFORMATION THAT IS PROPRIETARY TO MOLEX ELECTRONIC TECHNOLOGIES, LLC AND SHOULD NOT BE USED WITHOUT WRITTEN PERMISSION												
	EC NO: 112857 DRWN: ULETTENMEIER CHK'D: APPR: RSILLER	2017/01/26 2017/01/26	GENERAL TOLERANCES (UNLESS SPECIFIED)		DIMENSION UNITS	SCALE							
			ANGULAR TOL ± °		MM	1:1							
			4 PLACES ±	DRWN BY		DATE		DBO ETH 60 MM 7/8" 4P/5P AC MA FE U12 5P U12 4P 2PT DC FE					
			3 PLACES ±	ULETTENMEIER		2015/01/19							
			2 PLACES ±	CHK'D BY		DATE		PRODUCT CUSTOMER DRAWING					
	1 PLACE ± 0.3	RSILLER		2015/06/25									
	0 PLACES ± 0.5	DRAFT WHERE APPLICABLE MUST REMAIN WITHIN DIMENSIONS		DRAWING SIZE	THIRD ANGLE PROJECTION	SERIES	MATERIAL NUMBER	CUSTOMER					
	A2	REV	A3				112095	GENERAL MARKET		DOCUMENT NUMBER	DOC TYPE	DOC PART	SHEET NUMBER
							1120950007	PSD	000	8 OF 8			