



Chipsmall Limited consists of a professional team with an average of over 10 year of expertise in the distribution of electronic components. Based in Hongkong, we have already established firm and mutual-benefit business relationships with customers from,Europe,America and south Asia,supplying obsolete and hard-to-find components to meet their specific needs.

With the principle of “Quality Parts,Customers Priority,Honest Operation,and Considerate Service”,our business mainly focus on the distribution of electronic components. Line cards we deal with include Microchip,ALPS,ROHM,Xilinx,Pulse,ON,Everlight and Freescale. Main products comprise IC,Modules,Potentiometer,IC Socket,Relay,Connector.Our parts cover such applications as commercial,industrial, and automotives areas.

We are looking forward to setting up business relationship with you and hope to provide you with the best service and solution. Let us make a better world for our industry!



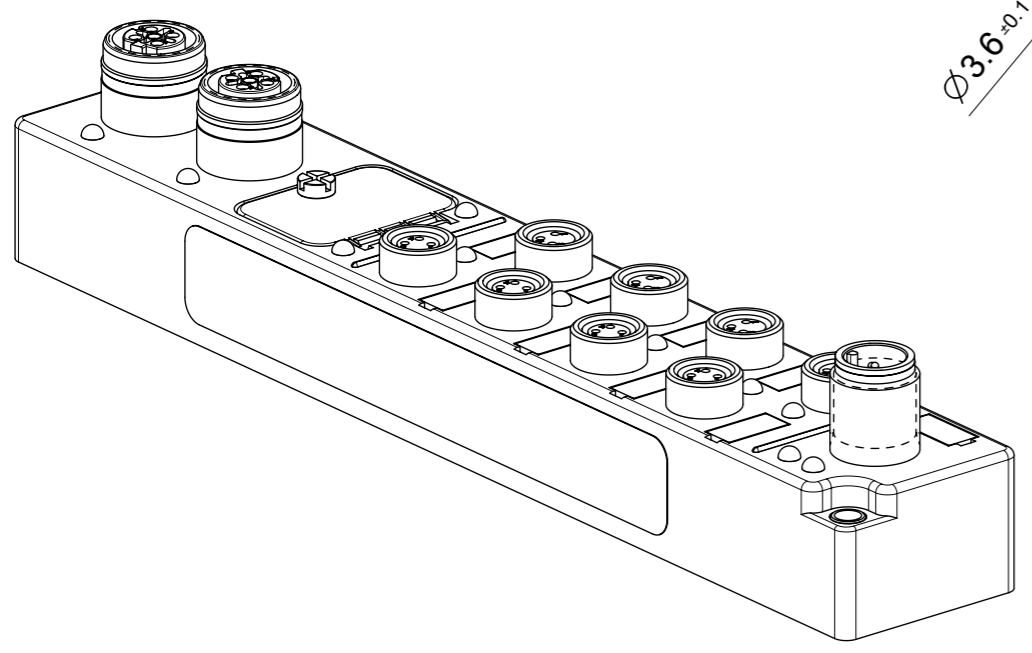
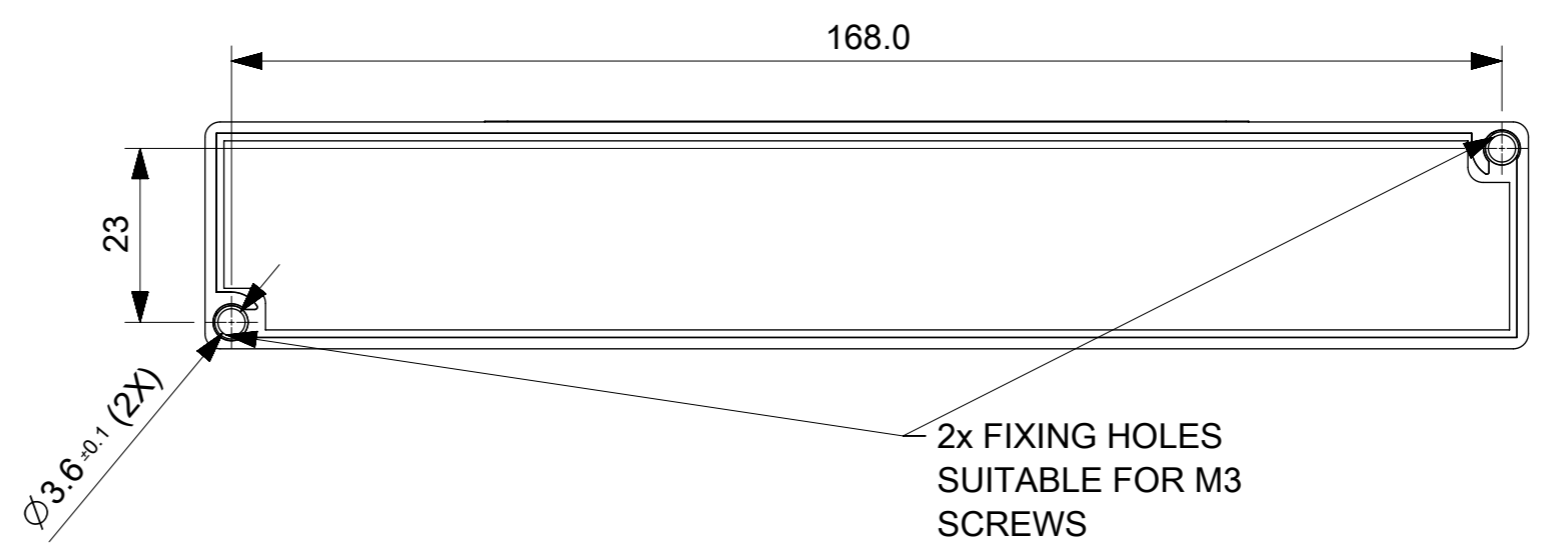
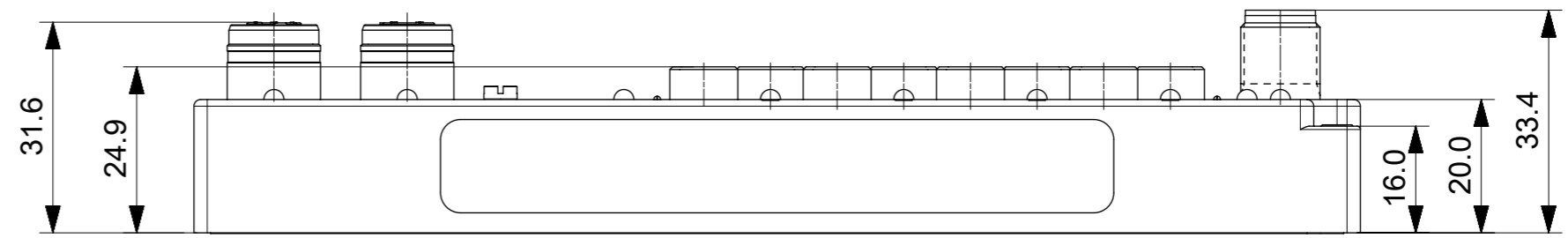
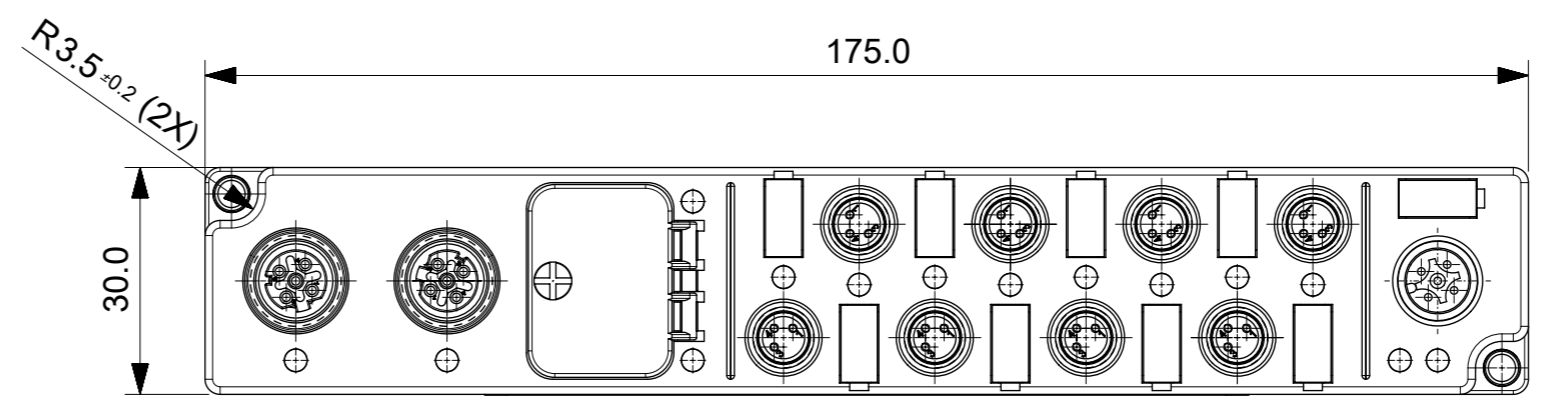
Contact us

Tel: +86-755-8981 8866 Fax: +86-755-8427 6832

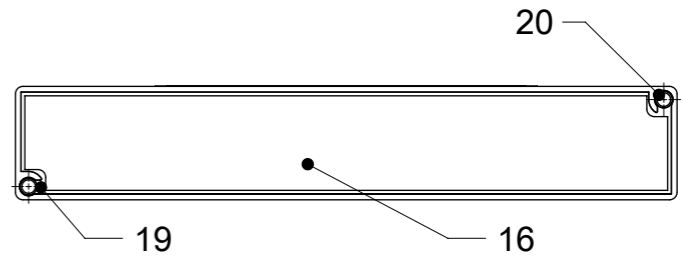
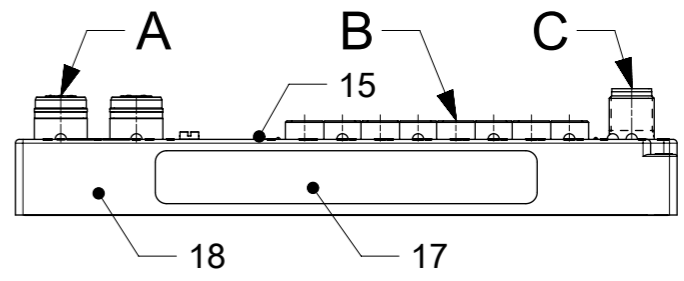
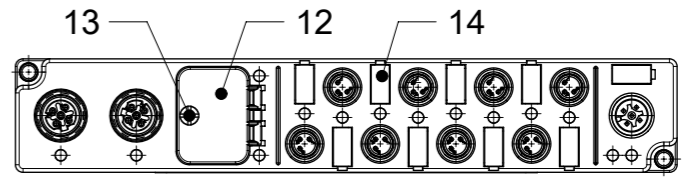
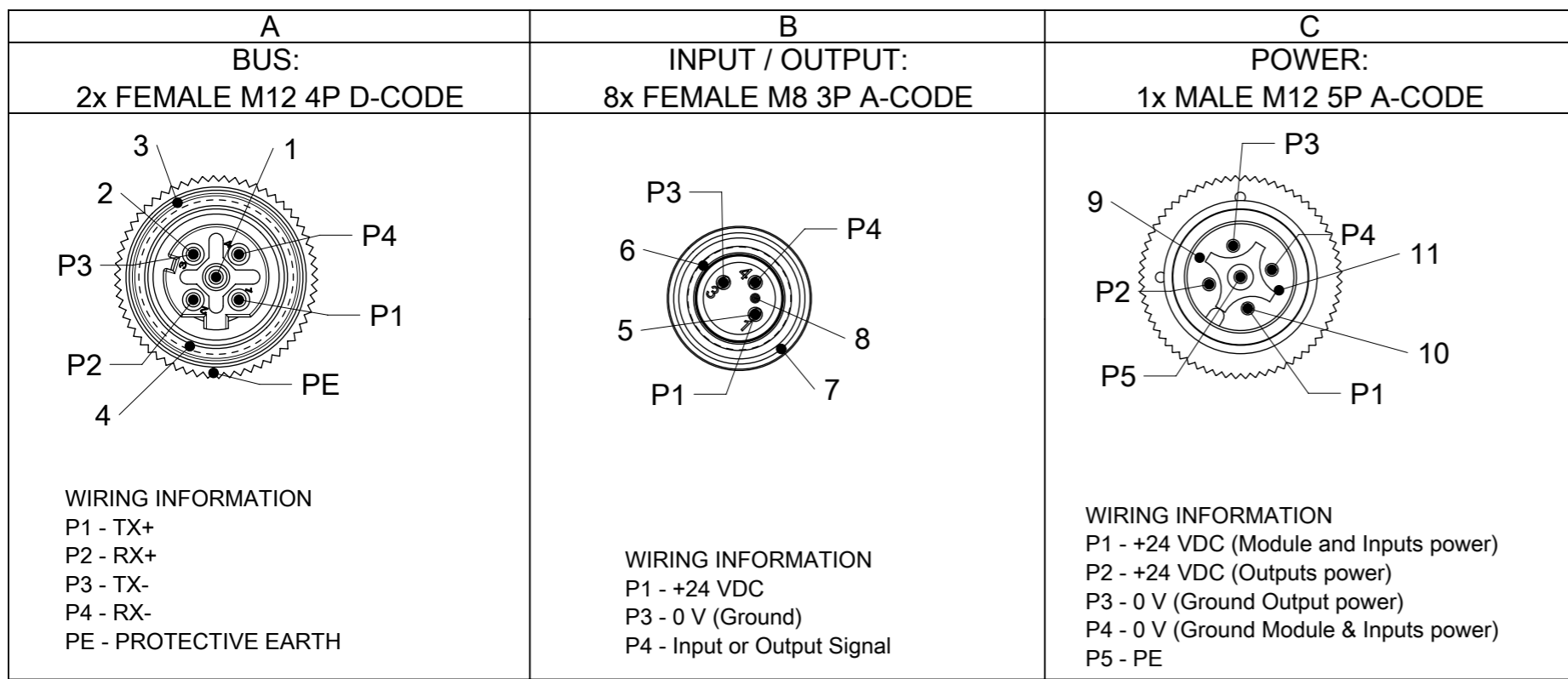
Email & Skype: info@chipsmall.com Web: www.chipsmall.com

Address: A1208, Overseas Decoration Building, #122 Zhenhua RD., Futian, Shenzhen, China



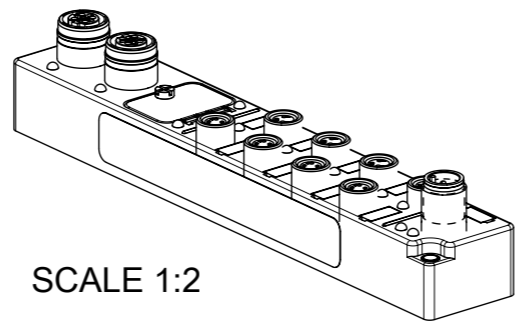


THIS DRAWING CONTAINS INFORMATION THAT IS PROPRIETARY TO MOLEX ELECTRONIC TECHNOLOGIES, LLC AND SHOULD NOT BE USED WITHOUT WRITTEN PERMISSION											
QUALITY SYMBOLS ▽A = 0 ▽E = 0 ▽F = 0 ▼ = 0 ▽C = 0 ⊗ = 0 ■ = 0 ▽ = 0	EC NO: 168509 DRWN: PDODDAMANEMY CHK'D: APPR: RSILLER	2017/10/26 2017/11/27	GENERAL TOLERANCES (UNLESS SPECIFIED)		DIMENSION UNITS	SCALE					
			ANGULAR TOL ± °	mm	1:2						
			4 PLACES ±		DRWN BY	DATE	DBO PN 30 MM 4P 2PT FE DC M8 3P 8PT FE AC M12 5P MA AC				
			3 PLACES ±		ULETTENMEIER	2015/02/11					
			2 PLACES ±		CHK'D BY	DATE	PRODUCT CUSTOMER DRAWING				
			1 PLACE ± 0.3		JALEXANDER	2015/05/20					
			0 PLACES ± 0.5		APPR BY	DATE	SERIES	MATERIAL NUMBER	CUSTOMER		
			DRAFT WHERE APPLICABLE MUST REMAIN WITHIN DIMENSIONS		DRAWING SIZE	THIRD ANGLE PROJECTION	112095	SEE TABLE 1	GENERAL MARKET		
					A3		DOCUMENT NUMBER	DOC TYPE	DOC PART	SHEET NUMBER	
							1120955064	PSD	000	1 OF 3	



BILL OF MATERIAL

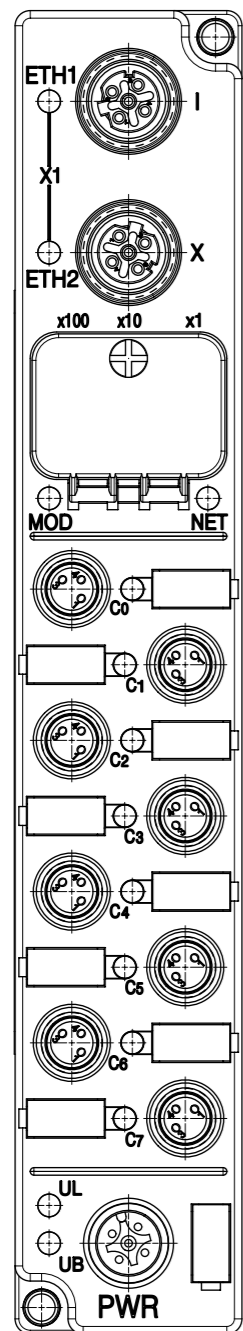
ITEM	DESCRIPTION	MATERIAL	FINISH
1	INSERT	TPU	BLACK
2	CONTACT	COPPER ALLOY	GOLD OVERNICKEL
3	SHELL	BRASS	NICKEL PLATET
4	GASKET	FPM	RED
5	CONTACT	COPPER ALLOY	GOLD OVER NICKEL
6	GASKET	FPM	RED
7	SHELL	BRASS	NICKEL PLATET
8	INSERT	TPU	BLACK
9	INSERT	TPU	BLACK
10	CONTACT	COPPER ALLOY	GOLD OVERNICKEL
11	SHELL	BRASS	NICKEL PLATET
12	WINDOW	PC	TRANSPARENT
13	SCREW	V2A	V2A
14	LABEL	PC	WHITE
15	FIBER OPTIC	PA	TRANSPARENT
16	LABEL	PVC	WHITE
17	LABEL	PVC	YELLOW
18	HOUSING	PBT	BLACK
19	RESIN	EPOXY	TRANSPARENT
20	SLEEV	BRASS	NICKEL



THIS DRAWING CONTAINS INFORMATION THAT IS PROPRIETARY TO MOLEX ELECTRONIC TECHNOLOGIES, LLC AND SHOULD NOT BE USED WITHOUT WRITTEN PERMISSION

QUALITY SYMBOLS ▽ = 0 ▽ = 0 ▽ = 0 ▽ = 0 ▽ = 0 ▽ = 0 ▽ = 0 ▽ = 0 ▽ = 0 ▽ = 0 ▽ = 0 ▽ = 0	EC NO: 168509 DRWN: PDODDAMANEMY CHK'D: APPR: RSILLER	2017/10/26 2017/11/27	GENERAL TOLERANCES (UNLESS SPECIFIED) ANGULAR TOL ± ° 4 PLACES ± 3 PLACES ± 2 PLACES ± 1 PLACE ± 0.3 0 PLACES ± 0.5 DRAFT WHERE APPLICABLE MUST REMAIN WITHIN DIMENSIONS	DIMENSION UNITS: mm SCALE: 1:2 DRWN BY: ULETTENMEIER DATE: 2015/02/11 CHK'D BY: DATE: APPR BY: JALEXANDER DATE: 2015/05/20	
	PRODUCT CUSTOMER DRAWING			SERIES: 112095 MATERIAL NUMBER: SEE TABLE 1 CUSTOMER: GENERAL MARKET	
	DOCUMENT NUMBER: 1120955064		DOC TYPE: PSD DOC PART: 000 SHEET NUMBER: 2 OF 3		
	RELEASE STATUS: P1 RELEASE DATE: 27.11.2017 15:41:26				

TABLE 1 UNIVERSAL PRINTING						
		PROFINET		EtherNet/IP		
POWER TYPE	INPUT / OUTPUT	ENG.NO.	MOLEX P/N	ENG.NO.	MOLEX P/N	3D MODEL NO.
M12 5 POLE	USER CONFIG.	TBDEP-8YYP-D84-G	1120955067	TBDEI-8YYP-D84-G	1120955071	1120950064 (PDM)



UNIVERSAL PRINTING

QUALITY SYMBOLS ▽ = 0 ▽ = 0 ▽ = 0 ▼ = 0 ▽ = 0 ⊗ = 0 ■ = 0 ▽ = 0	THIS DRAWING CONTAINS INFORMATION THAT IS PROPRIETARY TO MOLEX ELECTRONIC TECHNOLOGIES, LLC AND SHOULD NOT BE USED WITHOUT WRITTEN PERMISSION										
	EC NO: 168509 DRWN: PDODDAMANEMY CHK'D: APPR: RSILLER	2017/10/26 2017/11/27	GENERAL TOLERANCES (UNLESS SPECIFIED)		DIMENSION UNITS	SCALE					
			ANGULAR TOL ± °		mm	1:1					
			4 PLACES ±	DRWN BY		DATE					
			3 PLACES ±	ULETTENMEIER		2015/02/11					
			2 PLACES ±	CHK'D BY		DATE					
	1 PLACE ± 0.3	APPR BY		DATE		PRODUCT CUSTOMER DRAWING					
	0 PLACES ± 0.5	JALEXANDER		2015/05/20							
	DRAFT WHERE APPLICABLE MUST REMAIN WITHIN DIMENSIONS		DRAWING SIZE	THIRD ANGLE PROJECTION			SERIES	MATERIAL NUMBER	CUSTOMER		
			A3				112095	SEE TABLE 1	GENERAL MARKET		
		REV				DOCUMENT NUMBER	DOC TYPE	DOC PART	SHEET NUMBER		
		A4				1120955064	PSD	000	3 OF 3		