



Chipsmall Limited consists of a professional team with an average of over 10 year of expertise in the distribution of electronic components. Based in Hongkong, we have already established firm and mutual-benefit business relationships with customers from,Europe,America and south Asia,supplying obsolete and hard-to-find components to meet their specific needs.

With the principle of “Quality Parts,Customers Priority,Honest Operation,and Considerate Service”,our business mainly focus on the distribution of electronic components. Line cards we deal with include Microchip,ALPS,ROHM,Xilinx,Pulse,ON,Everlight and Freescale. Main products comprise IC,Modules,Potentiometer,IC Socket,Relay,Connector.Our parts cover such applications as commercial,industrial, and automotives areas.

We are looking forward to setting up business relationship with you and hope to provide you with the best service and solution. Let us make a better world for our industry!



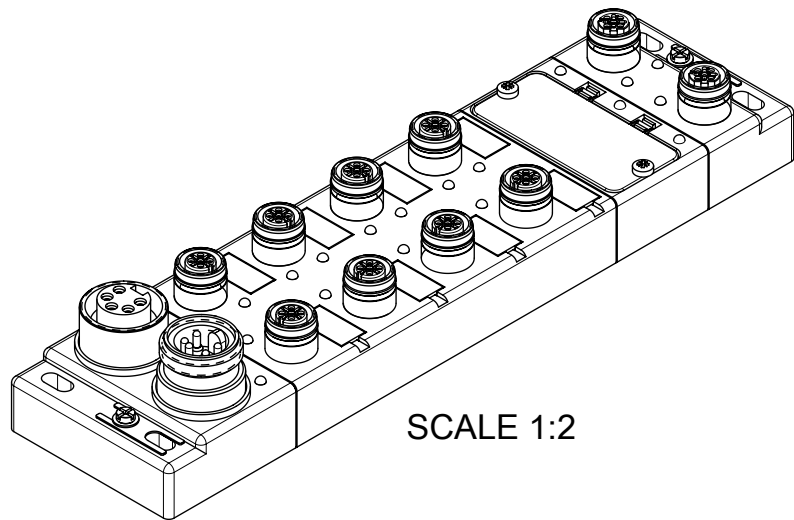
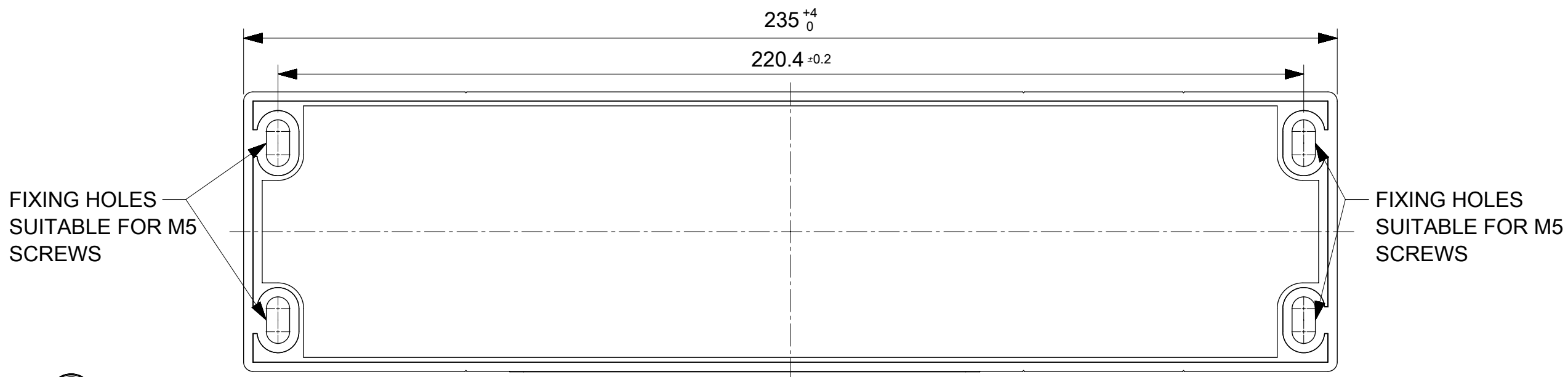
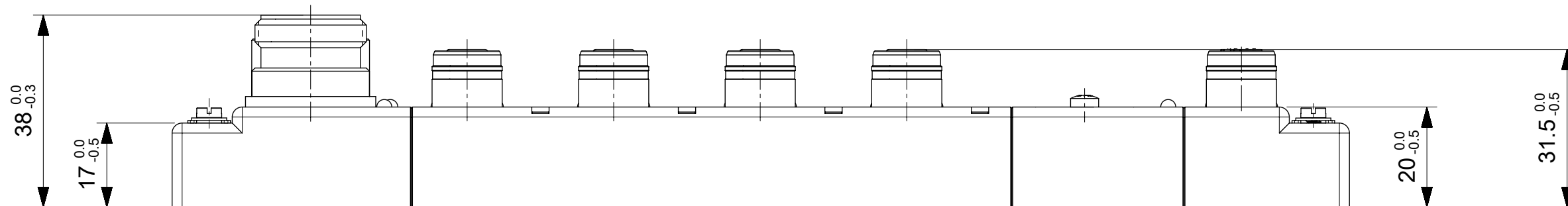
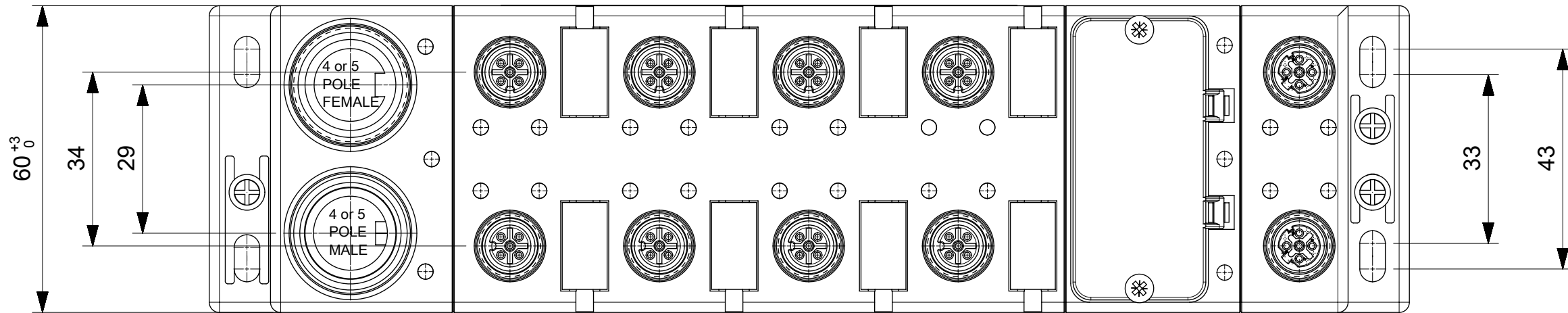
Contact us

Tel: +86-755-8981 8866 Fax: +86-755-8427 6832

Email & Skype: info@chipsmall.com Web: www.chipsmall.com

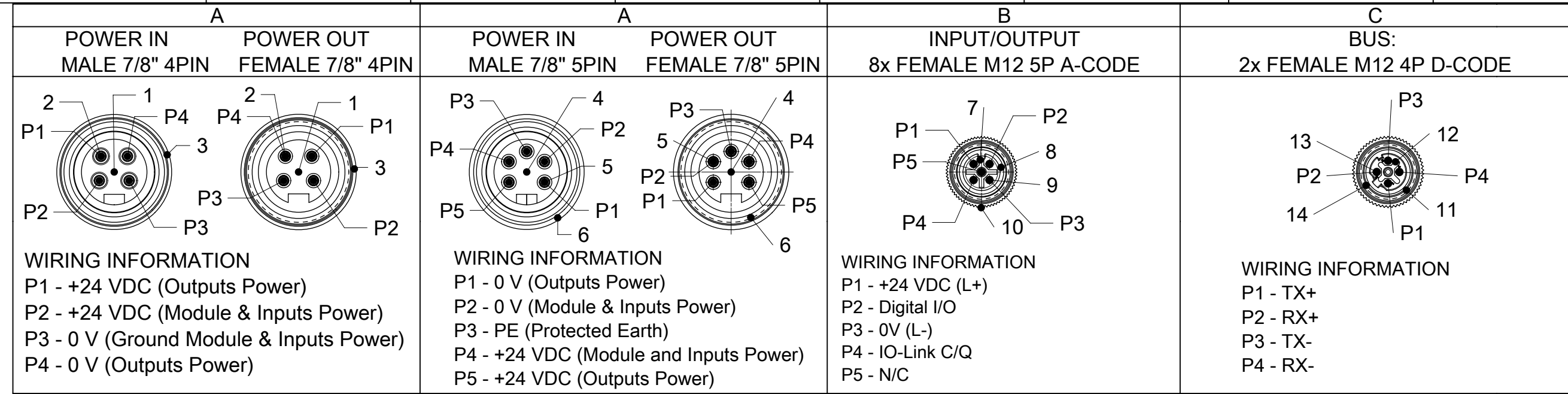
Address: A1208, Overseas Decoration Building, #122 Zhenhua RD., Futian, Shenzhen, China





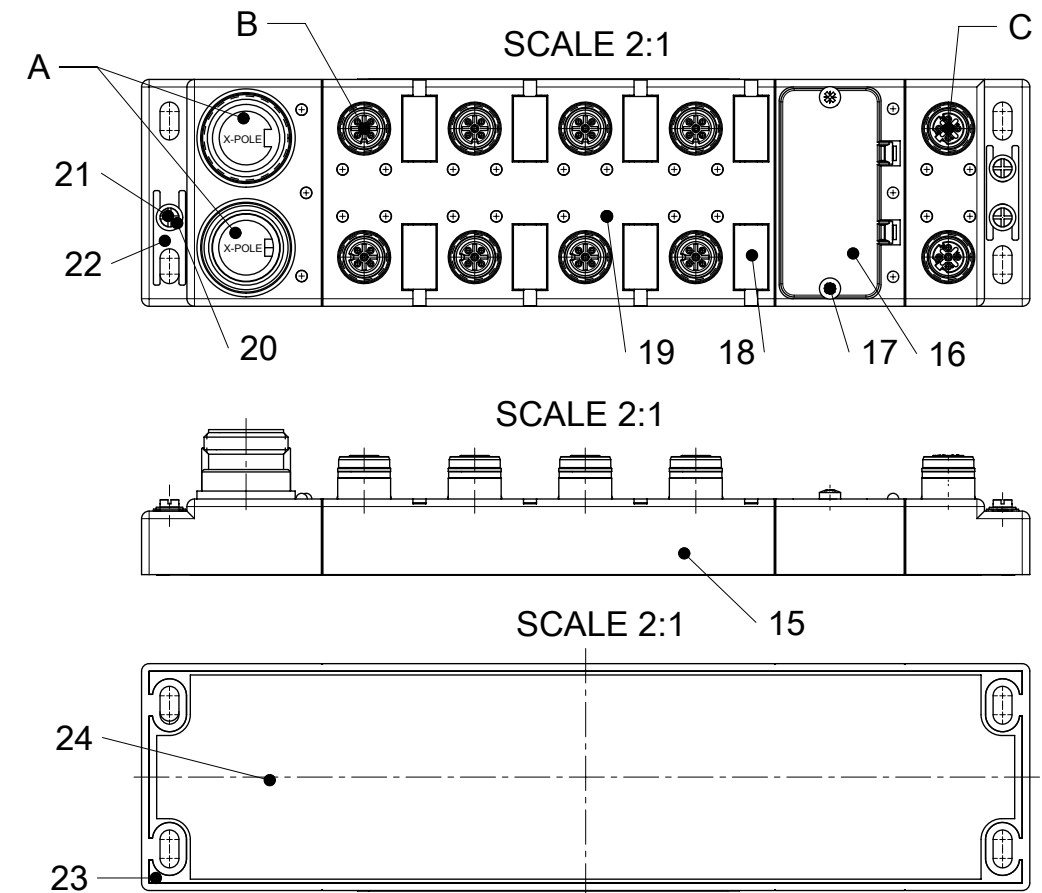
SCALE 1:2

| | | | | | | | | | | | | |
|---|--|--------------------------|---------------------------------------|------------------------|-----------------|-----------------|----------------|---|--------------|--|--|--|
| THIS DRAWING CONTAINS INFORMATION THAT IS PROPRIETARY TO MOLEX ELECTRONIC TECHNOLOGIES, LLC AND SHOULD NOT BE USED WITHOUT WRITTEN PERMISSION | | | | | | | | | | | | |
| QUALITY SYMBOLS ▽A = 0 ▽E = 0 ▽F = 0 ▼ = 0 ▽C = 0 ⊗ = 0 ■ = 0 ▽ = 0 | EC NO: 107817 DRWN: ULETTENMEIER CHK'D: APPR: RSILLER | 2016/08/24 2016/08/25 | GENERAL TOLERANCES (UNLESS SPECIFIED) | | DIMENSION UNITS | SCALE | | | | | | |
| | | | ANGULAR TOL ± ° | | MM | 1:1 | | | | | | |
| | | | 4 PLACES ± | AAHLERS | | DATE | | HARSHIO IO-LINK MASTER 8X IO-LINK+8X DIO 4/5 PIN | | | | |
| | | | 3 PLACES ± | DATE | | 2015/10/19 | | | | | | |
| | | | 2 PLACES ± | RSILLER | | DATE | | PRODUCT CUSTOMER DRAWING | | | | |
| 1 PLACE ± 0.3 | DATE | | 2016/03/10 | | | | | | | | | |
| 0 PLACES ± 0.5 | DRAFT WHERE APPLICABLE MUST REMAIN WITHIN DIMENSIONS | | DRAWING SIZE | THIRD ANGLE PROJECTION | SERIES | MATERIAL NUMBER | CUSTOMER | | | | | |
| A2 | | | A3 | | 112095 | SEE TABLE 1 | GENERAL MARKET | | | | | |
| | | | | | DOCUMENT NUMBER | | DOC TYPE | DOC PART | SHEET NUMBER | | | |
| | | | | | 1120955119 | | PSD | 000 | 1 OF 3 | | | |

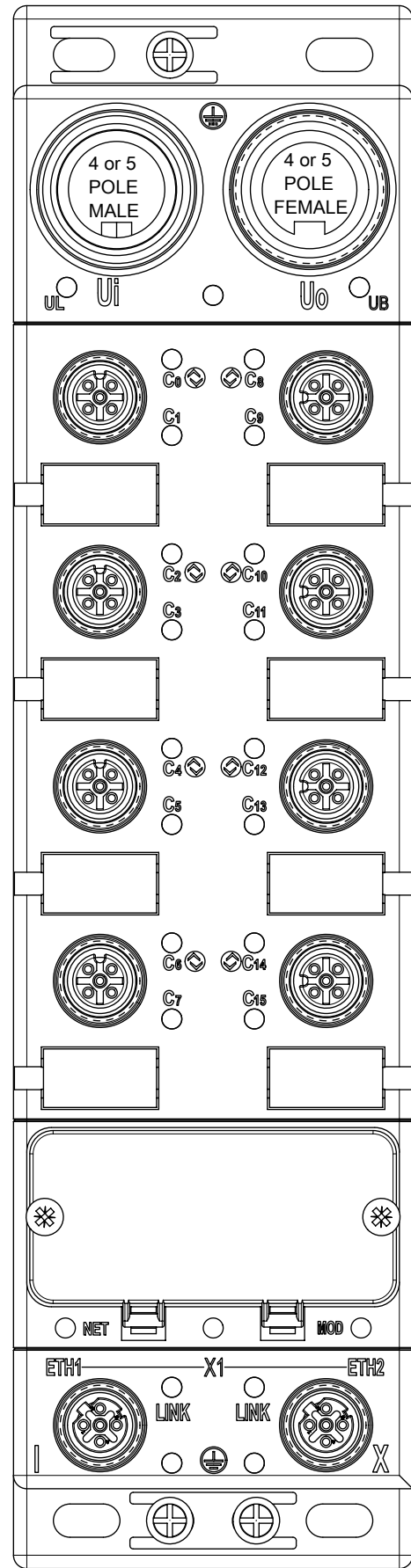


BILL OF MATERIAL

| ITEM | DESCRIPTION | MATERIAL | FINISH |
|------|--------------|-----------------|------------------|
| 1 | INSERT | TPE | YELLOW |
| 2 | CONTACT | BRASS ALLOY | GOLD OVER NICKEL |
| 3 | SHELL | BRASS | NICKEL PLATED |
| 4 | INSERT | TPE | YELLOW |
| 5 | CONTACT | BRONZE ALLOY | GOLD OVER NICKEL |
| 6 | SHELL | BRASS | NICKEL PLATED |
| 7 | INSERT | TPU | BLACK |
| 8 | GASKET | FPM | RED |
| 9 | CONTACT | BRASS | GOLD OVER NICKEL |
| 10 | SHELL | BRASS | NICKEL PLATED |
| 11 | SHELL | BRASS | NICKEL PLATED |
| 12 | INSERT | TPU | BLACK |
| 13 | CONTACT | BRASS | GOLD OVER NICKEL |
| 14 | GASKET | EPDM | VIOLETT |
| 15 | HOUSING | PBT | BLACK |
| 16 | WINDOW | PC | TRANSPARENT |
| 17 | SCREW | V4A | V4A |
| 18 | LABEL | PC | WHITE |
| 19 | FIBER OPTIC | PA | TRANSPARENT |
| 20 | WASHER | BRASS | NICKEL PLATED |
| 21 | SCREW | V2A | V2A |
| 22 | SHIELD PLATE | STAINLESS STEEL | STAINLESS STEEL |
| 23 | RESIN | EPOXY | TRANSPARENT |
| 24 | LABEL | PVC | WHITE |



| QUALITY SYMBOLS | | THIS DRAWING CONTAINS INFORMATION THAT IS PROPRIETARY TO MOLEX ELECTRONIC TECHNOLOGIES, LLC AND SHOULD NOT BE USED WITHOUT WRITTEN PERMISSION | | DIMENSION UNITS | | SCALE | | | | |
|----------------------|-----|---|---|---|-----|--|--|--|--|--|
| ∇_A | = 0 | EC NO: 107817 DRWN: ULETTENMEIER CHK'D: REV APPR: RSILLER 2016/08/24 2016/08/25 | GENERAL TOLERANCES (UNLESS SPECIFIED) ANGULAR TOL \pm ° 4 PLACES \pm 3 PLACES \pm 2 PLACES \pm 1 PLACE \pm 0.3 0 PLACES \pm 0.5 DRAFT WHERE APPLICABLE MUST REMAIN WITHIN DIMENSIONS | MM | 1:1 | DRWN BY: AAHLERS DATE: 2015/10/19 | | | | |
| ∇_E | = 0 | | | APPR BY: RSILLER DATE: 2016/03/10 | | PRODUCT CUSTOMER DRAWING | | | | |
| ∇_F | = 0 | | | DRAWING SIZE: A3 THIRD ANGLE PROJECTION | | SERIES: 112095 MATERIAL NUMBER: SEE TABLE 1 CUSTOMER: GENERAL MARKET | | | | |
| \blacktriangledown | = 0 | | | DOCUMENT NUMBER: 1120955119 DOC TYPE: PSD DOC PART: 000 SHEET NUMBER: 2 OF 3 | | | | | | |
| ∇_C | = 0 | | | A2 | | | | | | |
| \boxtimes | = 0 | | | | | | | | | |
| \blacksquare | = 0 | | | | | | | | | |
| ∇ | = 0 | | | | | | | | | |



| TABLE 1 | | | | | |
|--|--------------|--------|----------------|-------------|------------------|
| HARSHIO IO-Link Master 8x IO-Link + 8x DIO 4/5 PIN | | | | | 3D MODEL NO. |
| POWER TYPE | INPUT/OUTPUT | | ENG. NO | FIELD BUS | |
| 7/8" 5 POLE | 8x IO-LINK | 8x DIO | TCIEP-888P-D1U | PROFINET | 1120955119 |
| | | | TCIEI-888P-D1U | EtherNet/IP | 1120955121 |
| TCIEP-888P-DYU | | | PROFINET | 1120955120 | |
| TCIEI-888P-DYU | | | EtherNet/IP | 1120955122 | |
| 7/8" 4 POLE | | | | | 1120955119 (PDM) |

| QUALITY SYMBOLS | THIS DRAWING CONTAINS INFORMATION THAT IS PROPRIETARY TO MOLEX ELECTRONIC TECHNOLOGIES, LLC AND SHOULD NOT BE USED WITHOUT WRITTEN PERMISSION | | | | | | | | | | | |
|-----------------|---|--------------------------|---------------------------------------|---------|--|--------------------|------------------------|--|-----------------|----------------|--------------|--|
| ▽A = 0 | EC NO: 107817 DRWN: ULETTENMEIER CHK'D: REV APPR: RSILLER | 2016/08/24 2016/08/25 | GENERAL TOLERANCES (UNLESS SPECIFIED) | | DIMENSION UNITS | SCALE | | | | | | |
| ▽E = 0 | | | ANGULAR TOL ± ° | | MM | 1:1 | | | | | | |
| ▽F = 0 | | | 4 PLACES ± | DRWN BY | DATE | AAHLERS 2015/10/19 | | | | | | |
| ▽ = 0 | | | | | 3 PLACES ± | CHK'D BY | DATE | HARSHIO IO-LINK MASTER 8X IO-LINK+8X DIO 4/5 PIN PRODUCT CUSTOMER DRAWING | | | | |
| ▽C = 0 | | | | | 2 PLACES ± | APPR BY | DATE | | | | | |
| ▽X = 0 | | | | | 1 PLACE ± 0.3 | RSILLER | 2016/03/10 | | | | | |
| ■ = 0 | | | | | 0 PLACES ± 0.5 | DRAWING SIZE | THIRD ANGLE PROJECTION | SERIES | MATERIAL NUMBER | CUSTOMER | | |
| ▽ = 0 | | | | | DRAFT WHERE APPLICABLE MUST REMAIN WITHIN DIMENSIONS | A3 | | 112095 | SEE TABLE 1 | GENERAL MARKET | | |
| | | | A2 | | | | | DOCUMENT NUMBER | DOC TYPE | DOC PART | SHEET NUMBER | |
| | | | | | | | | 1120955119 | PSD | 000 | 3 OF 3 | |