



Chipsmall Limited consists of a professional team with an average of over 10 year of expertise in the distribution of electronic components. Based in Hongkong, we have already established firm and mutual-benefit business relationships with customers from,Europe,America and south Asia,supplying obsolete and hard-to-find components to meet their specific needs.

With the principle of “Quality Parts,Customers Priority,Honest Operation,and Considerate Service”,our business mainly focus on the distribution of electronic components. Line cards we deal with include Microchip,ALPS,ROHM,Xilinx,Pulse,ON,Everlight and Freescale. Main products comprise IC,Modules,Potentiometer,IC Socket,Relay,Connector.Our parts cover such applications as commercial,industrial, and automotives areas.

We are looking forward to setting up business relationship with you and hope to provide you with the best service and solution. Let us make a better world for our industry!



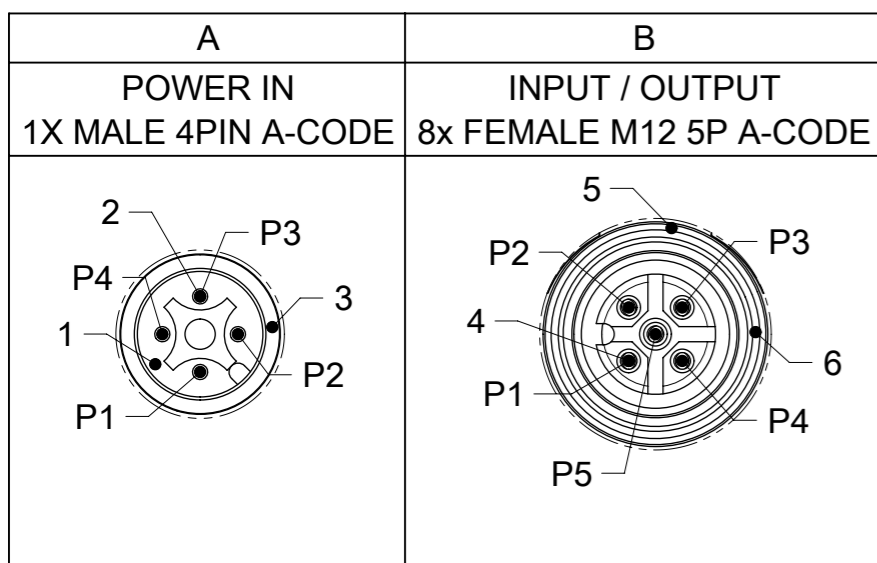
Contact us

Tel: +86-755-8981 8866 Fax: +86-755-8427 6832

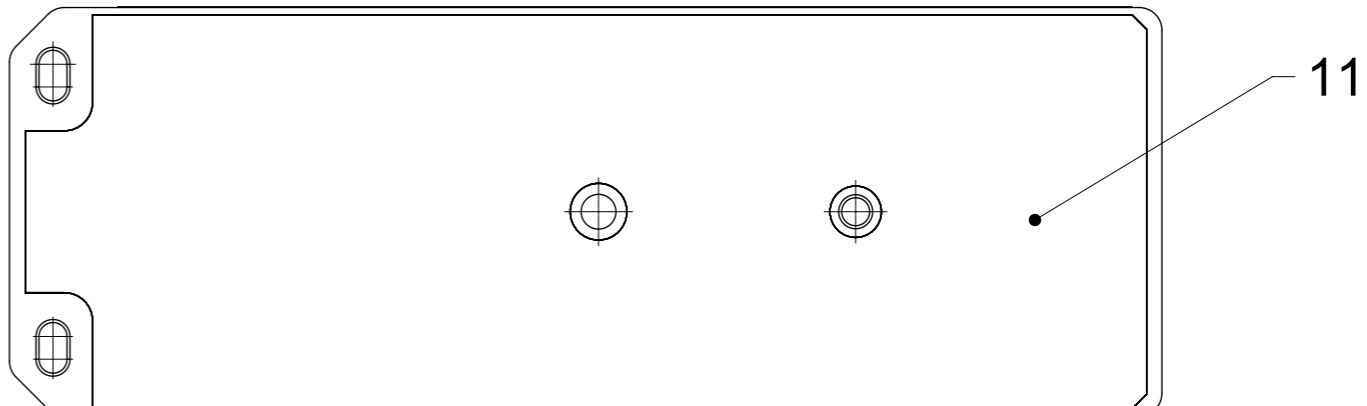
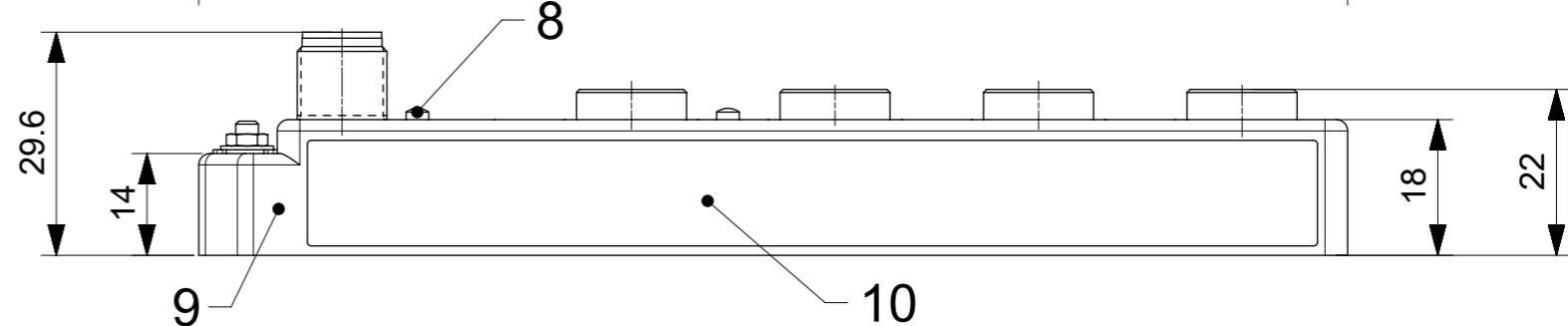
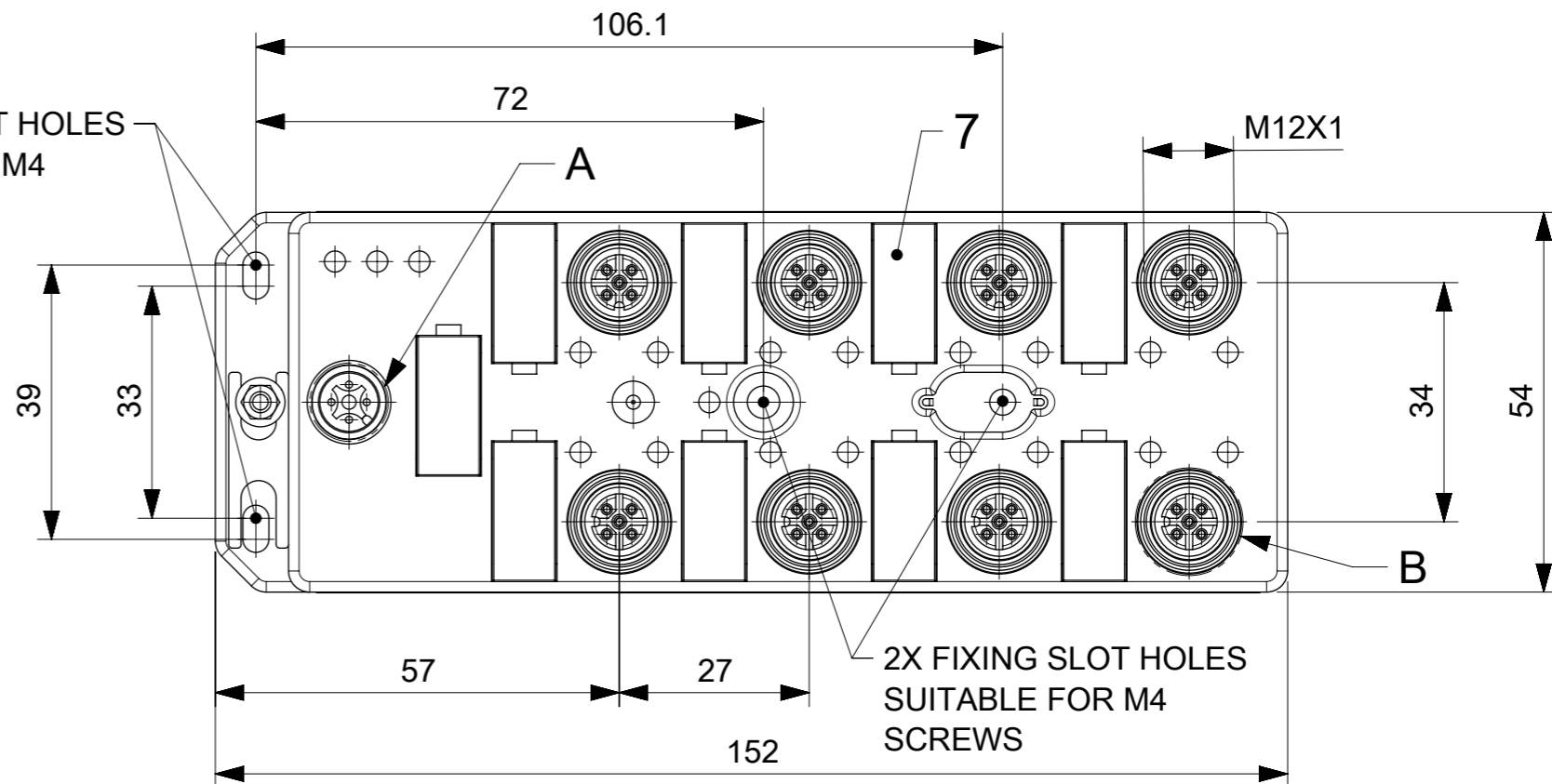
Email & Skype: info@chipsmall.com Web: www.chipsmall.com

Address: A1208, Overseas Decoration Building, #122 Zhenhua RD., Futian, Shenzhen, China



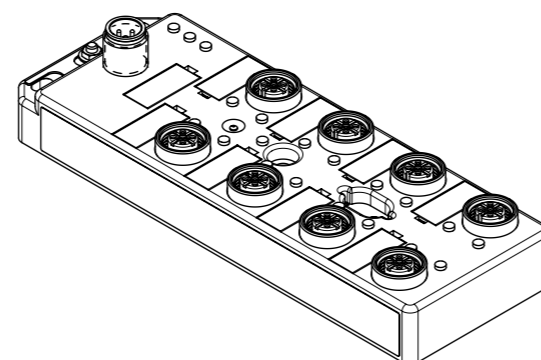


2X FIXING SLOT HOLES
SUITABLE FOR M4
SCREWS



BILL OF MATERIAL

ITEM	DESCRIPTION	MATERIAL	FINISH
1	INSERT	PUR	BLACK
2	CONTACT	BRASS	GOLD OVER NICKEL
3	SHELL	BRASS	NICKEL PLATED
4	CONTACT	BRASS	GOLD OVER NICKEL
5	SHELL	BRASS	NICKEL PLATED
6	O-RING	FPM	RED
7	LABEL	ABS	WHITE
8	LED	WITH LED = PA	TRANSPARENT
9	HOUSING	PBT	BLACK
10	LABEL	TBD	TBD
11	RESIN	PA	TRANSPARENT

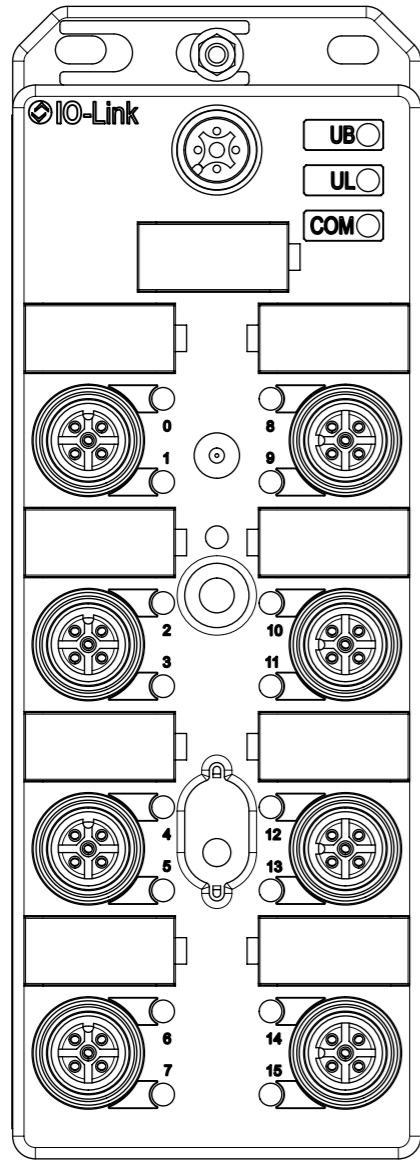


SCALE: 2:1

THIS DRAWING CONTAINS INFORMATION THAT IS PROPRIETARY TO MOLEX INCORPORATED AND SHOULD NOT BE USED WITHOUT WRITTEN PERMISSION

EC DESCRIPTION EC NO: 107817 DRWN: ULETTENMEIER CHK'D: REV APPR: RSILLER	2016/08/24	GENERAL TOLERANCES (UNLESS SPECIFIED)	DIMENSION UNITS	SCALE															
	2016/08/25		MM	1:1															
	2015/09/15		DRWN BY	DATE															
	2016/03/08		DATE	DATE															
4 PLACES	±	ANGULAR TOL ±	°	ULETTENMEIER	DATE														
3 PLACES	±			CHK'D BY	DATE														
2 PLACES	±			APPR BY	DATE														
1 PLACE	±			RSILLER	2016/03/08														
0 PLACES	±			DRAWING SIZE	THIRD ANGLE PROJECTION														
DRAFT WHERE APPLICABLE MUST REMAIN WITHIN DIMENSIONS		A3			<table border="1"> <tr> <td>SERIES</td> <td>MATERIAL NUMBER</td> <td>CUSTOMER</td> </tr> <tr> <td>112103</td> <td>1121035000</td> <td>GENERAL MARKET</td> </tr> <tr> <td>DOCUMENT NUMBER</td> <td>DOC TYPE</td> <td>DOC PART</td> <td>SHEET NUMBER</td> </tr> <tr> <td>1121035000</td> <td>PSD</td> <td>000</td> <td>1 OF 3</td> </tr> </table>	SERIES	MATERIAL NUMBER	CUSTOMER	112103	1121035000	GENERAL MARKET	DOCUMENT NUMBER	DOC TYPE	DOC PART	SHEET NUMBER	1121035000	PSD	000	1 OF 3
SERIES	MATERIAL NUMBER	CUSTOMER																	
112103	1121035000	GENERAL MARKET																	
DOCUMENT NUMBER	DOC TYPE	DOC PART	SHEET NUMBER																
1121035000	PSD	000	1 OF 3																

TABLE 1 IO-LINK HUB PRINTING					
POWER TYPE	INPUT / OUTPUT		ENG.NO.	MOLEX P/N	3D MODEL NO.
M12 4 POLE	NPN	16 IN	TEDIO-8D0P-808	1121035000	1121035000 (PDM)

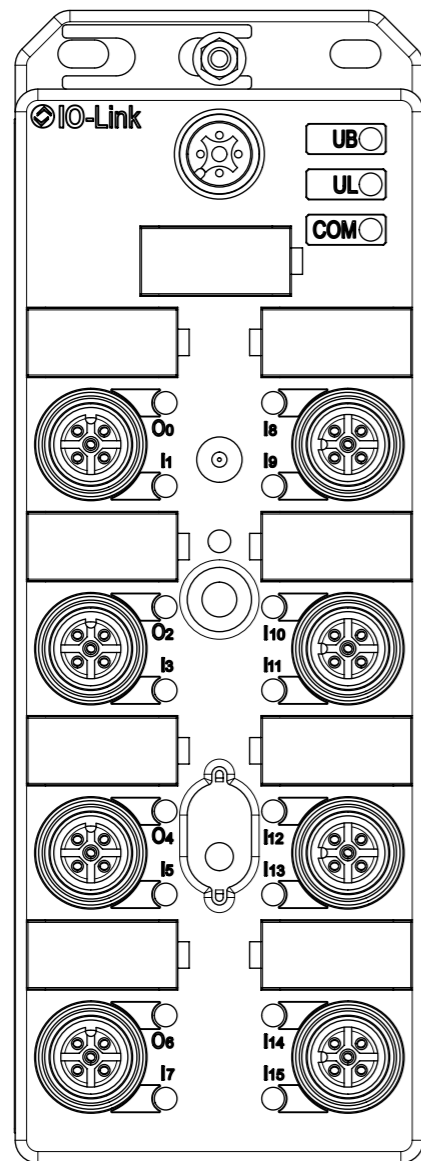


IO-LINK HUB PRINTING 16IN

THIS DRAWING CONTAINS INFORMATION THAT IS PROPRIETARY TO MOLEX ELECTRONIC TECHNOLOGIES, LLC AND SHOULD NOT BE USED WITHOUT WRITTEN PERMISSION

EC NO: 107817 DRWN: ULETTENMEIER CHK'D: APPR: RSILLER	2016/08/24	GENERAL TOLERANCES (UNLESS SPECIFIED) ANGULAR TOL ± ° 4 PLACES ± 3 PLACES ± 2 PLACES ± 1 PLACE ± 0 PLACES ± DRAFT WHERE APPLICABLE MUST REMAIN WITHIN DIMENSIONS	DIMENSION UNITS	SCALE			
	2016/08/25		MM	1:1			
	DRWN BY		DATE	ULETTENMEIER 2015/09/15			
	CHK'D BY		DATE				
	APPR BY		DATE	RSILLER 2016/03/08			
A1	REV	DRAWING SIZE	THIRD ANGLE PROJECTION	PRODUCT CUSTOMER DRAWING			
		A3		SERIES	MATERIAL NUMBER	CUSTOMER	
				112103	1121035000	GENERAL MARKET	
				DOCUMENT NUMBER	DOC TYPE	DOC PART	SHEET NUMBER
				1121035000	PSD	000	2 OF 3

TABLE 1 IO-LINK HUB PRINTING					
POWER TYPE	INPUT / OUTPUT		ENG.NO.	MOLEX P/N	3D MODEL NO.
M12 4 POLE	NPN	12IN / 4OUT	TEDIO-8B4P-808	1121035001	1121035000 (PDM)



IO-LINK HUB PRINTING 12IN / 4OUT

THIS DRAWING CONTAINS INFORMATION THAT IS PROPRIETARY TO MOLEX ELECTRONIC TECHNOLOGIES, LLC AND SHOULD NOT BE USED WITHOUT WRITTEN PERMISSION

EC NO: 107817 DRWN: ULETTENMEIER CHK'D: APPR: RSILLER	2016/08/24	GENERAL TOLERANCES (UNLESS SPECIFIED) ANGULAR TOL ± ° 4 PLACES ± 3 PLACES ± 2 PLACES ± 1 PLACE ± 0 PLACES ± DRAFT WHERE APPLICABLE MUST REMAIN WITHIN DIMENSIONS	DIMENSION UNITS	MM	SCALE	1:1				
	2016/08/25		DRWN BY	ULETTENMEIER	DATE	2015/09/15				
	REV A1		RSILLER	CHK'D BY		DATE		PRODUCT CUSTOMER DRAWING		
			APPR BY	RSILLER	DATE	2016/03/08				
				DRAWING SIZE	A3	THIRD ANGLE PROJECTION		SERIES	MATERIAL NUMBER	CUSTOMER
								112103	1121035000	GENERAL MARKET
					DOCUMENT NUMBER	1121035000	DOC TYPE	DOC PART	SHEET NUMBER	
						PSD	000	3 OF 3		