



Chipsmall Limited consists of a professional team with an average of over 10 year of expertise in the distribution of electronic components. Based in Hongkong, we have already established firm and mutual-benefit business relationships with customers from,Europe,America and south Asia,supplying obsolete and hard-to-find components to meet their specific needs.

With the principle of “Quality Parts,Customers Priority,Honest Operation,and Considerate Service”,our business mainly focus on the distribution of electronic components. Line cards we deal with include Microchip,ALPS,ROHM,Xilinx,Pulse,ON,Everlight and Freescale. Main products comprise IC,Modules,Potentiometer,IC Socket,Relay,Connector.Our parts cover such applications as commercial,industrial, and automotives areas.

We are looking forward to setting up business relationship with you and hope to provide you with the best service and solution. Let us make a better world for our industry!



## Contact us

Tel: +86-755-8981 8866 Fax: +86-755-8427 6832

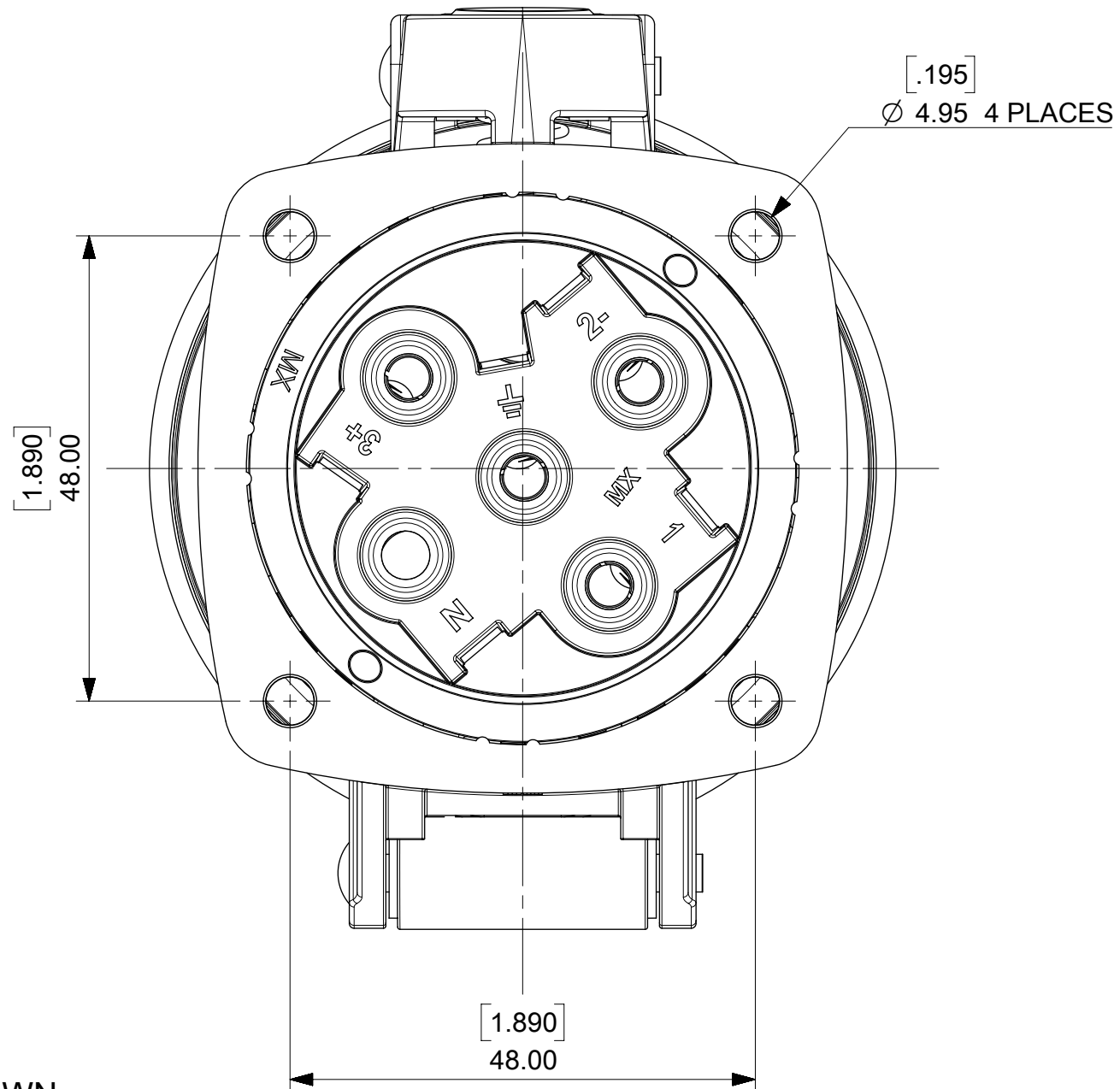
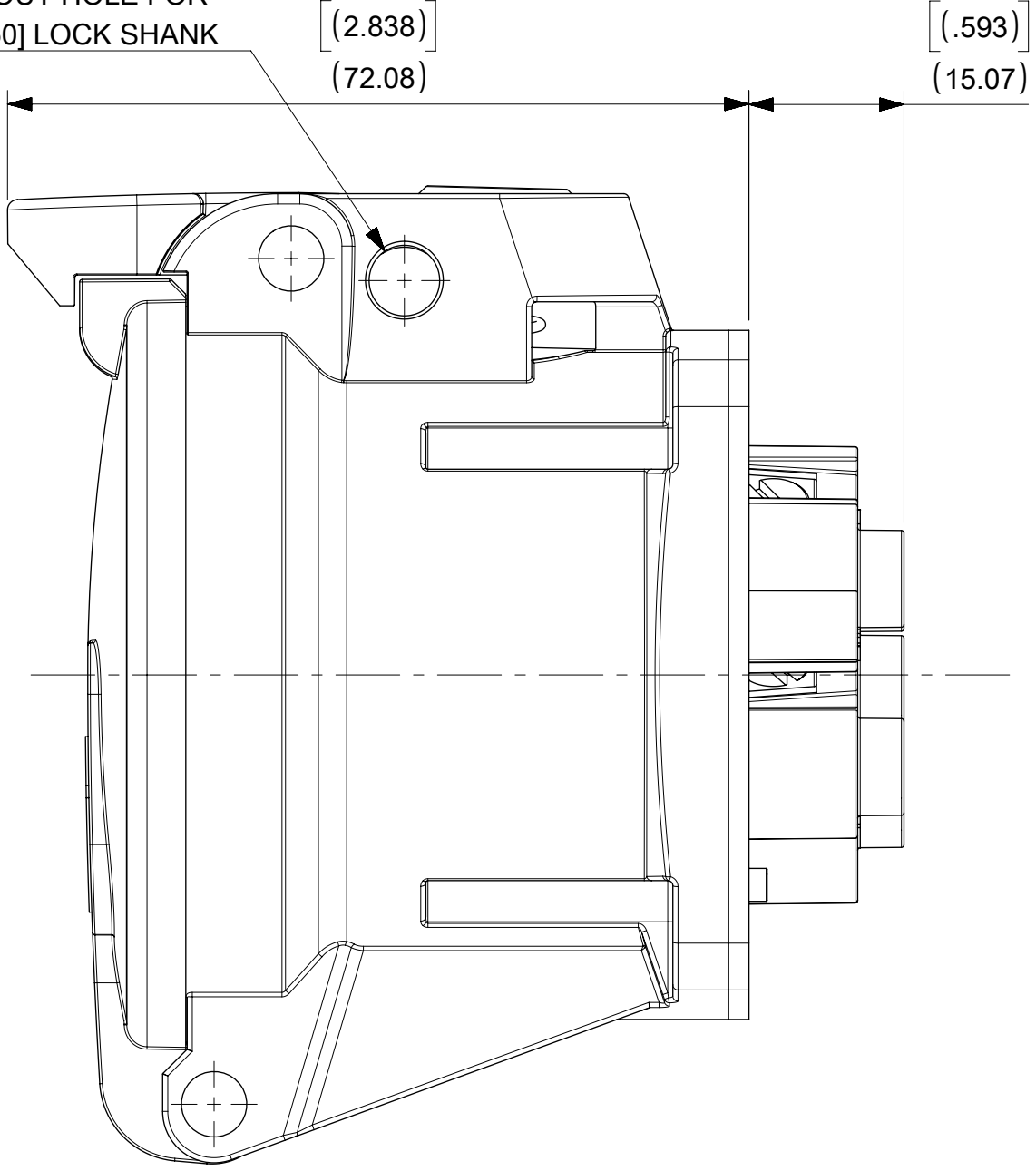
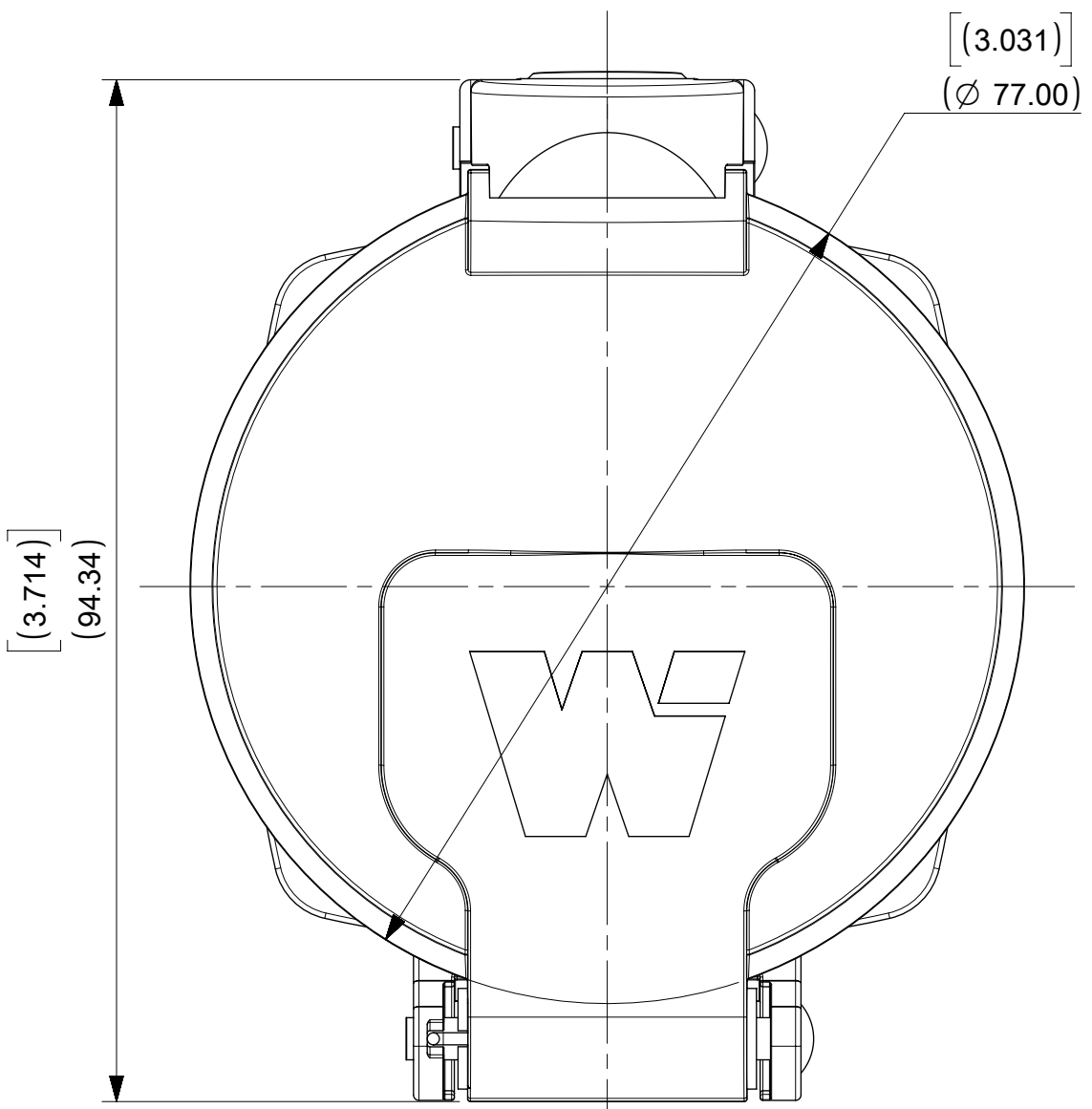
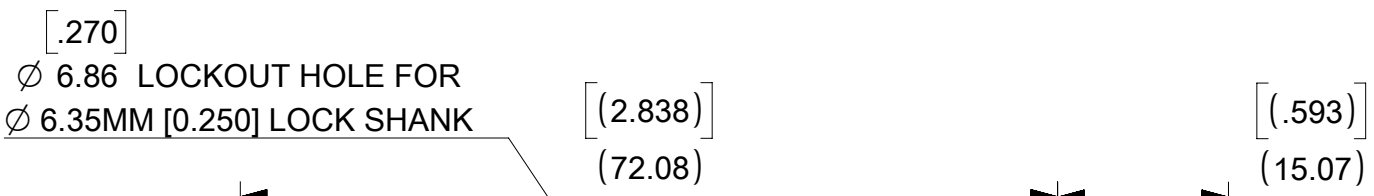
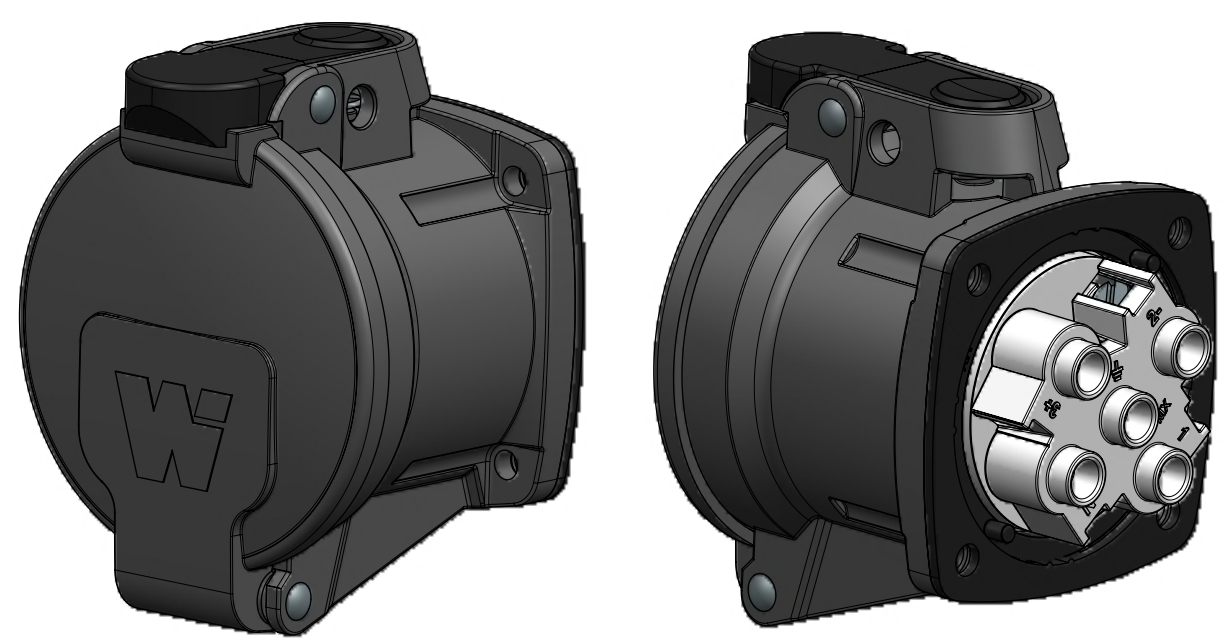
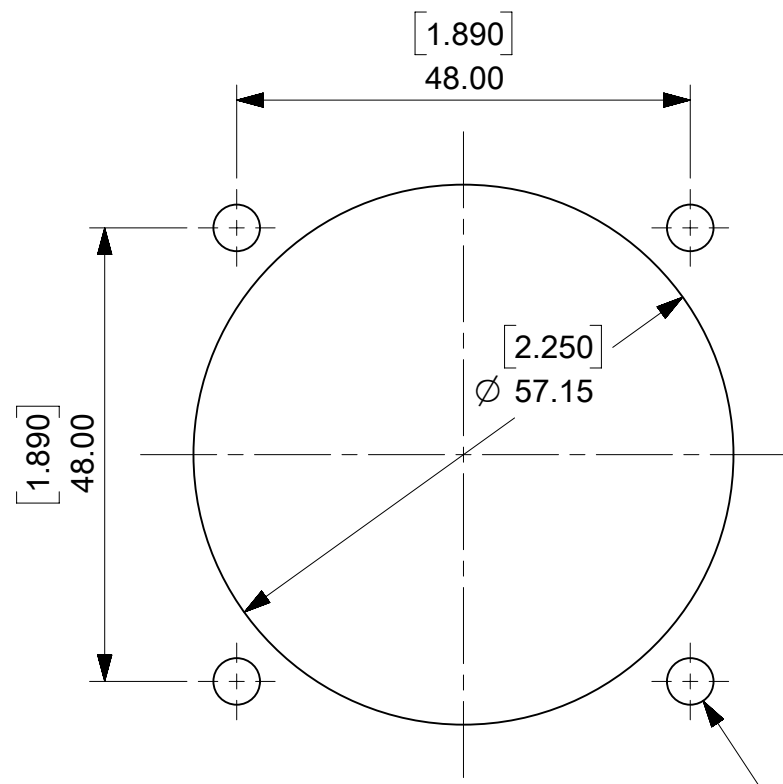
Email & Skype: info@chipsmall.com Web: www.chipsmall.com

Address: A1208, Overseas Decoration Building, #122 Zhenhua RD., Futian, Shenzhen, China





MATERIAL NUMBER	ENGINEERING NUMBER	DESCRIPTION	INSULATOR KEYING POSITION	HORSEPOWER RATING
1122190001	ARC30FA01	ARC 30A F 125VAC 1P+N+G	7	1 HP
1122190002	ARC30FB02	ARC 30A F 250VAC 2P+G		3 HP
1122190003	ARC30FB03	ARC 30A F 250VAC 3P+G		5 HP
1122190004	ARC30FAB04	ARC 30A F 125/250VAC 2P+N+G	16	NA
1122190005	ARC30FC02	ARC 30A F 208VAC 2P+G		NA
1122190006	ARC30FC03	ARC 30A F 208VAC 3P+G		5 HP
1122190007	ARC30FAC05	ARC 30A F 120/208VAC 3P+N+G	4	NA
1122190008	ARC30FD01	ARC 30A F 277VAC 1P+N+G		NA
1122190009	ARC30FE02	ARC 30A F 480VAC 2P+G		NA
1122190010	ARC30FE03	ARC 30A F 480VAC 3P+G	14	NA
1122190011	ARC30FDE05	ARC 30A F 277/480VAC 3P+N+G		NA
1122190012	ARC30FF02	ARC 30A F 600VAC 2P+G		NA
1122190013	ARC30FF03	ARC 30A F 600VAC 3P+G	14	NA
1122190014	ARC30FGF05	ARC 30A F 347/600VAC 3P+N+G		NA



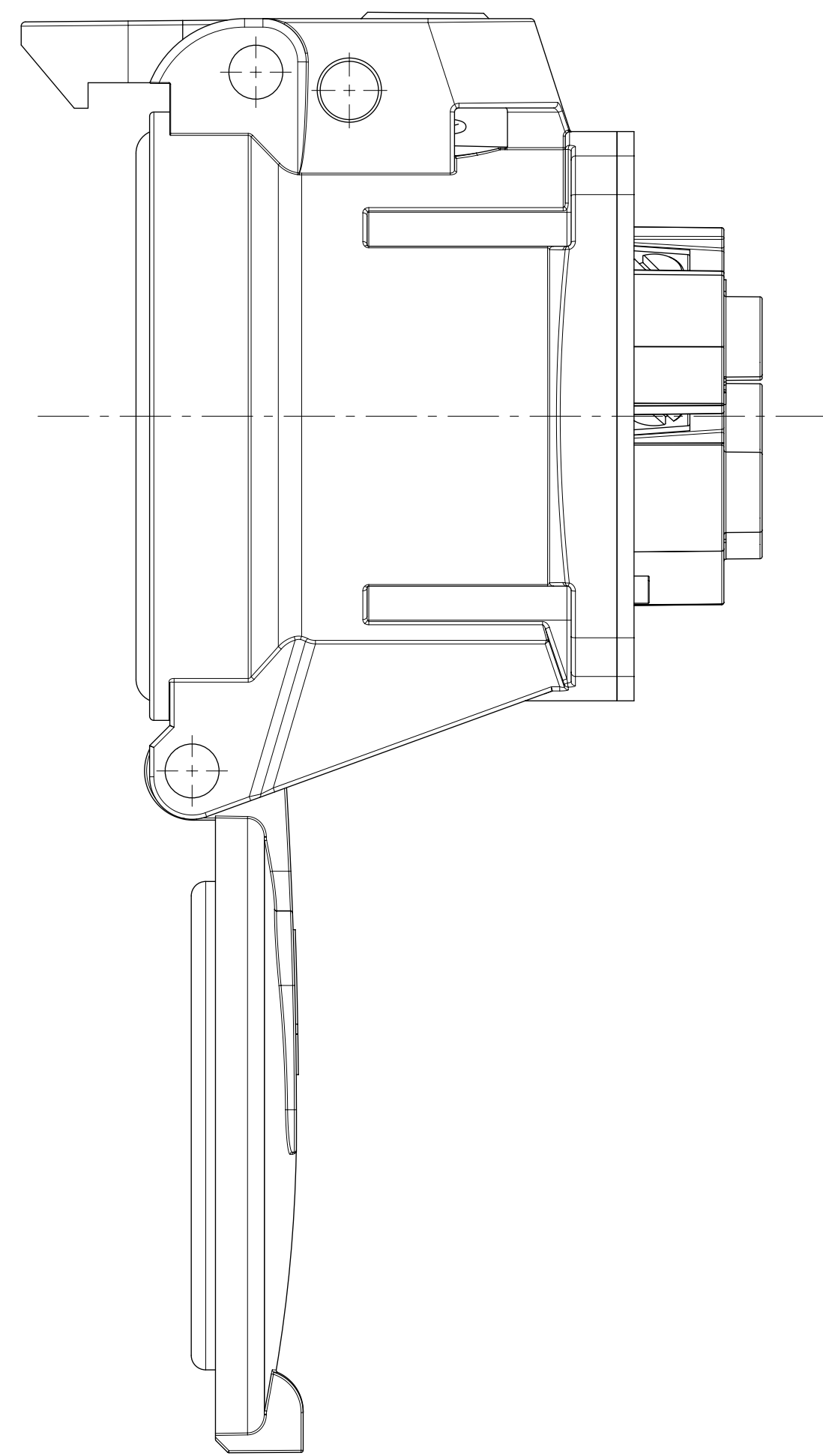
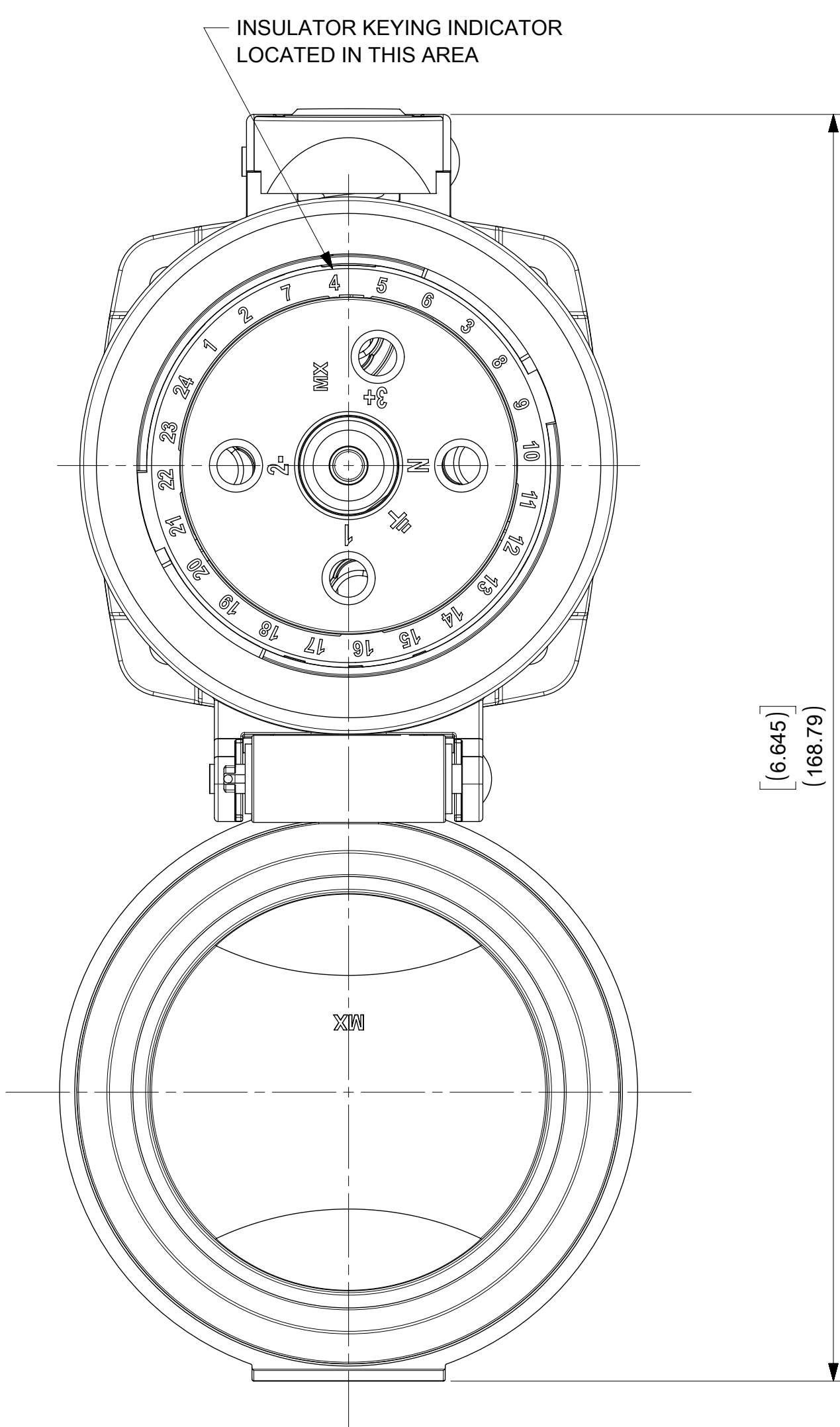
NOTES:

- MATERIALS:**  
HOUSINGS AND INSULATORS: GLASS FILLED PBT  
CONTACTS: COPPER ALLOY WITH A SILVER NICKEL TIP, SILVER PLATED  
MOUNTING AND INTERFACE GASKETS: SILICONE
- RATINGS:**  
CURRENT: 30 AMPS  
VOLTAGE AND HORSEPOWER: SEE TABLE  
OPERATING TEMPERATURE: -40°C (-40°F) TO 60°C (140°F)  
ENVIRONMENTAL: NEMA TYPE 4X  
WIRING CAPACITY: 12 AWG MIN. TO 8 AWG MAX.  
TORQUE TERMINAL SCREWS TO 1.7 N·M (15 in/lbs)  
AGENCY: UL LISTING PENDING
- SWITCH RATED RECEPTACLE/CONNECTOR  
BRANCH CIRCUIT DISCONNECT SWITCH  
MOTOR CIRCUIT DISCONNECT SWITCH IF HP RATED

THIS DRAWING REPLACES SD-112219-001.

ARC30FE03 SHOWN

<b>QUALITY SYMBOLS</b> ▽ = 0 ▽ = 0 ▽ = 0 ▽ = 0 ▽ = 0 ▽ = 0 ▽ = 0 ▽ = 0 ▽ = 0 ▽ = 0 ▽ = 0 ▽ = 0		THIS DRAWING CONTAINS INFORMATION THAT IS PROPRIETARY TO MOLEX ELECTRONIC TECHNOLOGIES, LLC AND SHOULD NOT BE USED WITHOUT WRITTEN PERMISSION		DIMENSION UNITS: MM[INCH] SCALE: 1.5:1				
EC NO: 176476 DRWN: VBASUTHKARP CHKD: BRUPERT REV / APPR: BRUPERT		GENERAL TOLERANCES (UNLESS SPECIFIED) MM INCH 4 PLACES ± ± 3 PLACES ± ± .005 2 PLACES ± 0.13 ± .010 1 PLACES ± 0.25 ± .020 0 PLACES ± ±		DRWN BY: KJ DATE: 5/24/2017 CHK'D BY: BR DATE: 5/24/2017 APPR BY: JM DATE: 5/24/2017				
REDRAWN IN INX 2018/05/09 2018/05/10 2018/05/10		ANGULAR TOL = 0.5° DRAFT WHERE APPLICABLE MUST REMAIN WITHIN DIMENSIONS		DRAWING SIZE: C THIRD ANGLE PROJECTION		PRODUCT CUSTOMER DRAWING		
B2		SERIES: 112219 MATERIAL NUMBER: SEE TABLE CUSTOMER: GENERAL MARKET		DOCUMENT NUMBER: 1122190010 DOC TYPE: PSD DOC PART: 000 SHEET NUMBER: 1 OF 2				



ARC30FE03 SHOWN

QUALITY SYMBOLS		THIS DRAWING CONTAINS INFORMATION THAT IS PROPRIETARY TO MOLEX ELECTRONIC TECHNOLOGIES, LLC AND SHOULD NOT BE USED WITHOUT WRITTEN PERMISSION													
▽ = 0 ▽ = 0 ▽ = 0 ▽ = 0 ▽ = 0 ▽ = 0 ▽ = 0 ▽ = 0 ▽ = 0 ▽ = 0 ▽ = 0	REDRAWN IN INX EC NO: 176476 DRWN: VBASUTHKARP CHKD: BRUPERT REV / APPR: BRUPERT	2018/05/09		2018/05/10		2018/05/10		GENERAL TOLERANCES (UNLESS SPECIFIED)		DIMENSION UNITS		SCALE			
		MM		INCH		MM[INCH]		1.5:1		DRWN BY		DATE			
		4 PLACES ±		±		KJ		5/24/2017		CHK'D BY		DATE			
		3 PLACES ±		± .005		BR		5/24/2017		APPR BY		DATE			
		2 PLACES ±		± 0.13 ± .010		JM		5/24/2017		DRAWING SIZE		THIRD ANGLE PROJECTION			
		1 PLACES ±		± 0.25 ± .020		C				ANGULAR TOL = 0.5°					
		0 PLACES ±		±						DRAFT WHERE APPLICABLE MUST REMAIN WITHIN DIMENSIONS					
		SERIES		MATERIAL NUMBER		CUSTOMER		DOCUMENT NUMBER		DOC TYPE		DOC PART		SHEET NUMBER	
		112219		SEE TABLE		GENERAL MARKET		1122190010		PSD		000		2 OF 2	