



Chipsmall Limited consists of a professional team with an average of over 10 year of expertise in the distribution of electronic components. Based in Hongkong, we have already established firm and mutual-benefit business relationships with customers from,Europe,America and south Asia,supplying obsolete and hard-to-find components to meet their specific needs.

With the principle of “Quality Parts,Customers Priority,Honest Operation,and Considerate Service”,our business mainly focus on the distribution of electronic components. Line cards we deal with include Microchip,ALPS,ROHM,Xilinx,Pulse,ON,Everlight and Freescale. Main products comprise IC,Modules,Potentiometer,IC Socket,Relay,Connector.Our parts cover such applications as commercial,industrial, and automotives areas.

We are looking forward to setting up business relationship with you and hope to provide you with the best service and solution. Let us make a better world for our industry!



Contact us

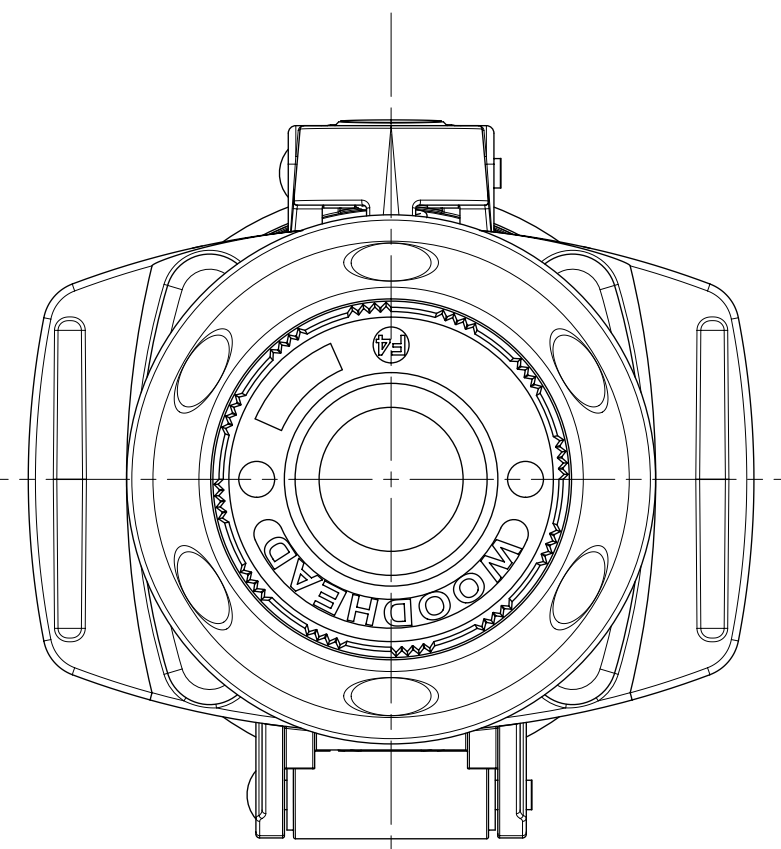
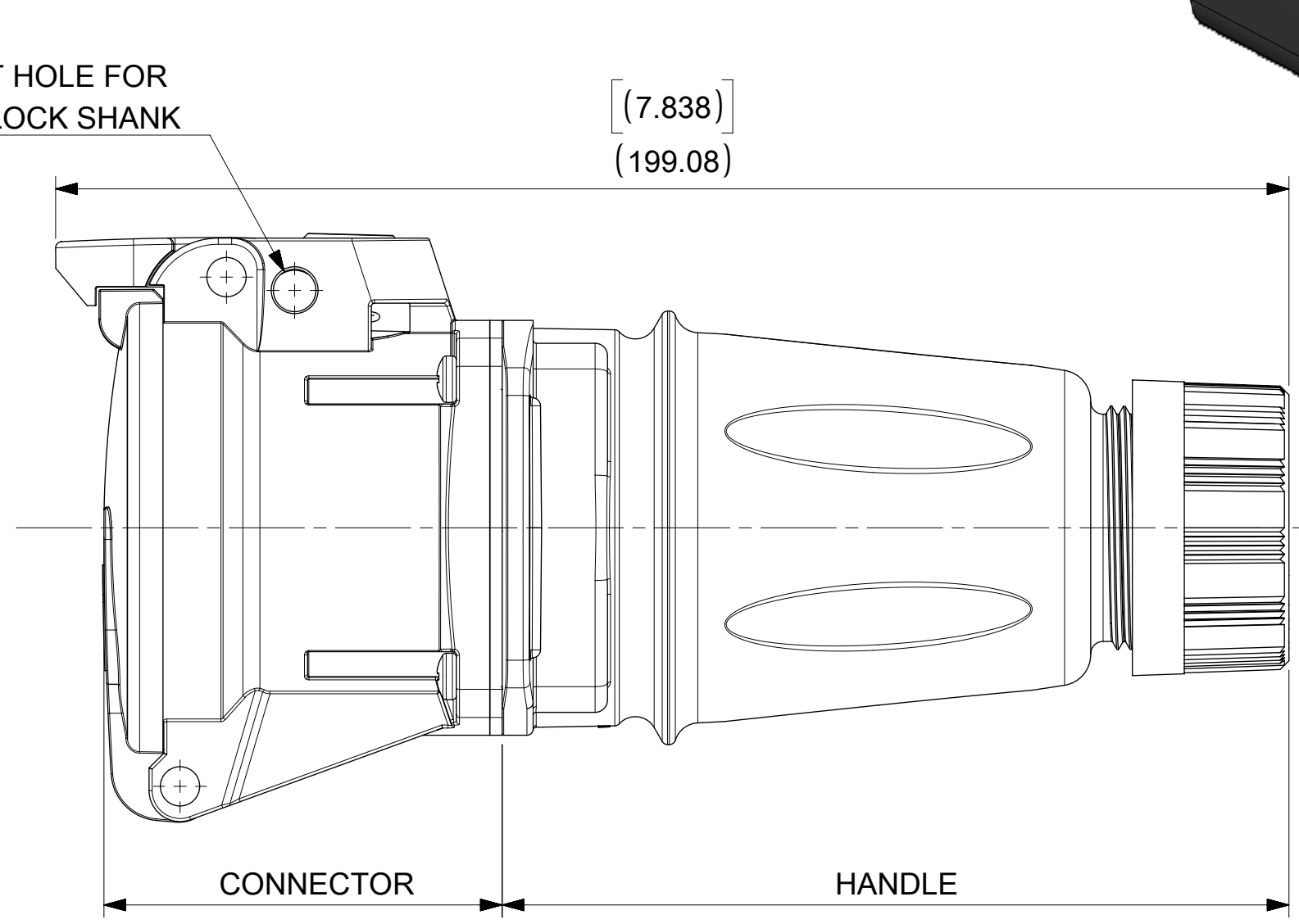
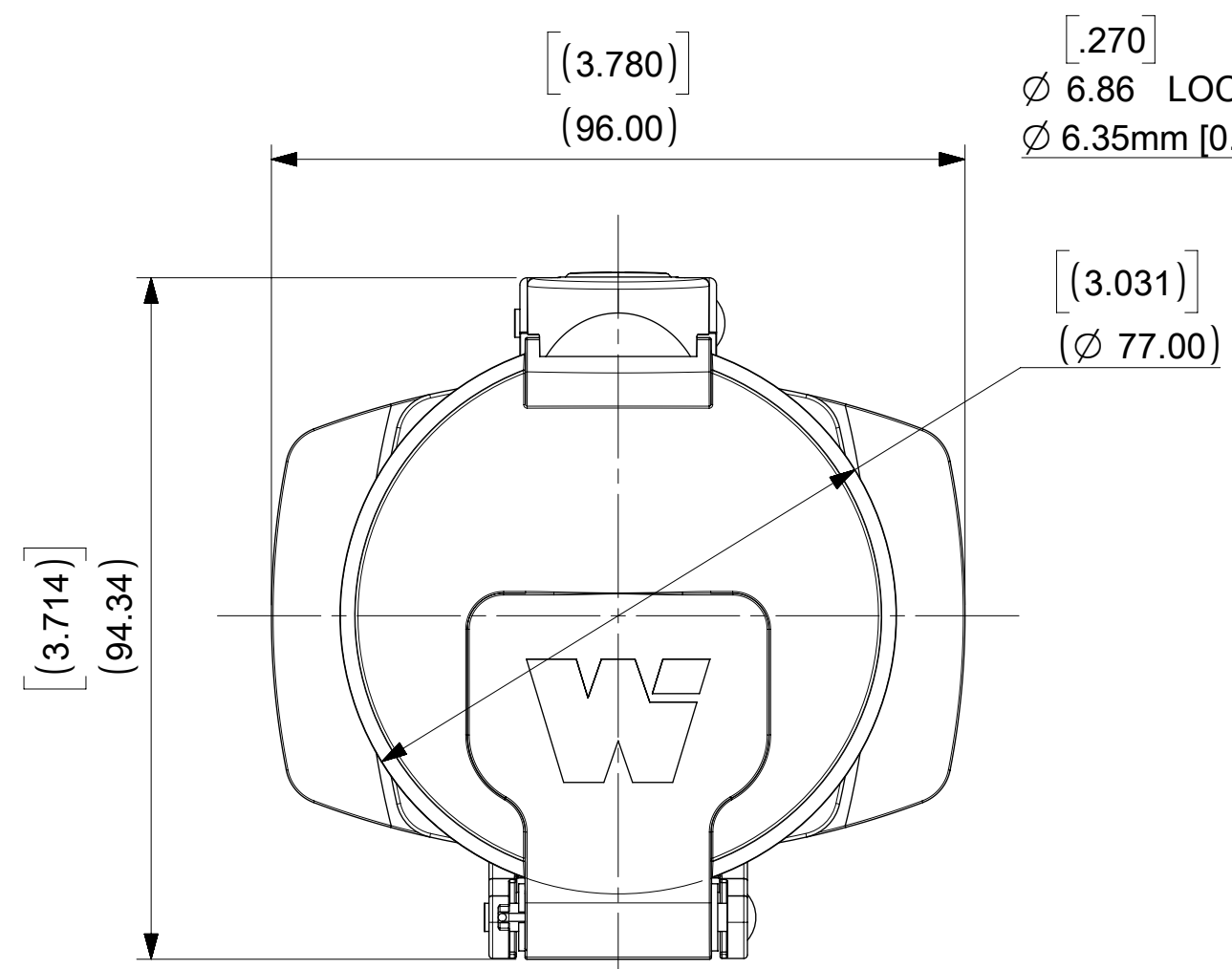
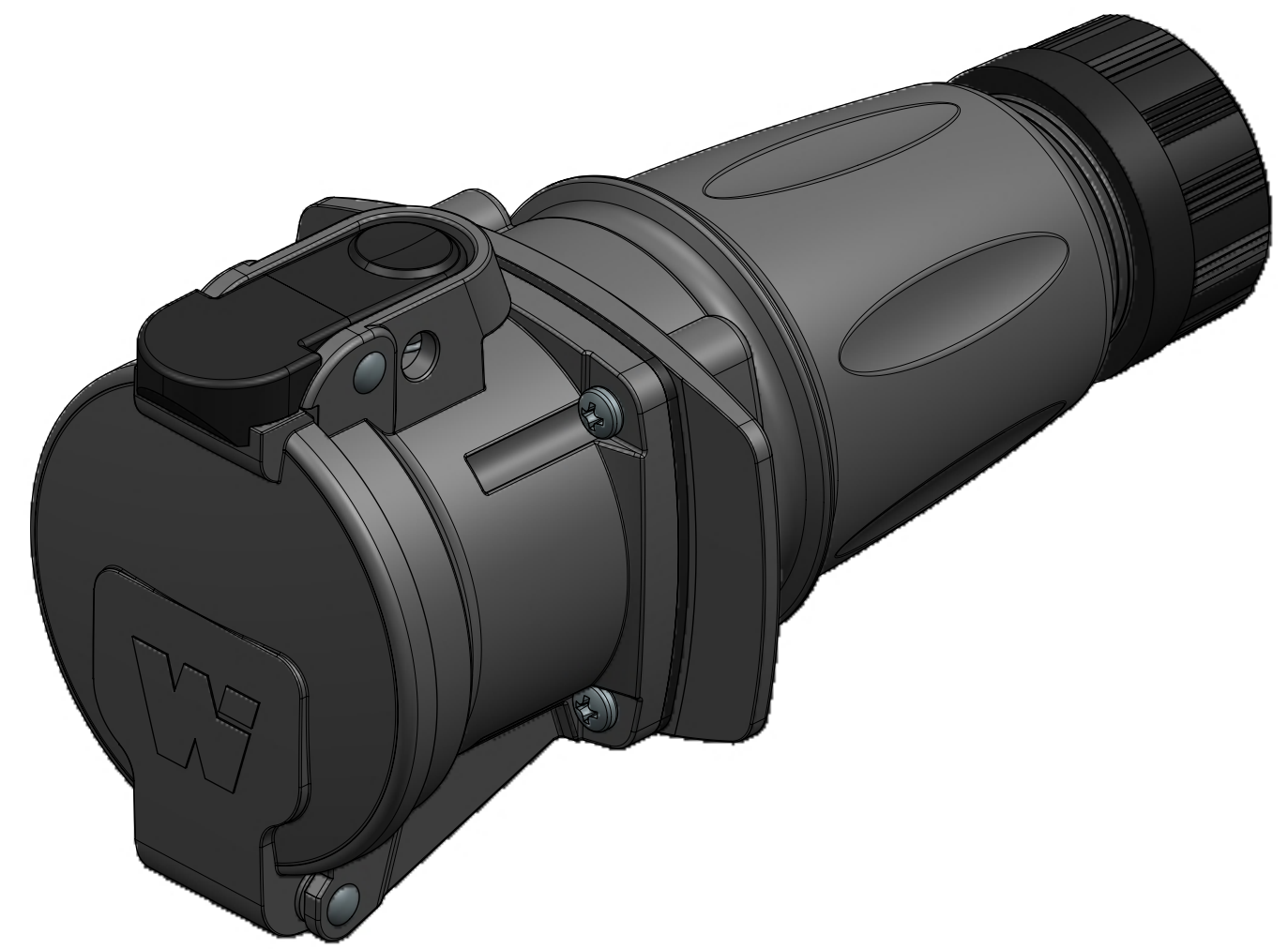
Tel: +86-755-8981 8866 Fax: +86-755-8427 6832

Email & Skype: info@chipsmall.com Web: www.chipsmall.com

Address: A1208, Overseas Decoration Building, #122 Zhenhua RD., Futian, Shenzhen, China



MATERIAL NUMBER	ENG NO.	DESCRIPTION	INSULATOR KEYING POSITION	HORSEPOWER RATING
1122190015	ARC30FHDA01	ARC 30A FHD 125VAC 1P+N+G	7	1 HP
1122190016	ARC30FHDB02	ARC 30A FHD 250VAC 2P+G		3 HP
1122190017	ARC30FHDB03	ARC 30A FHD 250VAC 3P+G		5 HP
1122190018	ARC30FHDA04	ARC 30A FHD 125/250VAC 2P+N+G	16	NA
1122190019	ARC30FHDC02	ARC 30A FHD 208VAC 2P+G		NA
1122190020	ARC30FHDC03	ARC 30A FHD 208VAC 3P+G		5 HP
1122190021	ARC30FHDC05	ARC 30A FHD 120/208VAC 3P+N+G	4	NA
1122190022	ARC30FHDD01	ARC 30A FHD 277VAC 1P+N+G		NA
1122190023	ARC30FHDE02	ARC 30A FHD 480VAC 2P+G		NA
1122190024	ARC30FHDE03	ARC 30A FHD 480VAC 3P+G	14	NA
1122190025	ARC30FHDE05	ARC 30A FHD 277/480VAC 3P+N+G		NA
1122190026	ARC30FHDF02	ARC 30A FHD 600VAC 2P+G		NA
1122190027	ARC30FHDF03	ARC 30A FHD 600VAC 3P+G	NA	
1122190028	ARC30FHDF05	ARC 30A FHD 347/600VAC 3P+N+G		



NOTES:

MATERIALS:
HOUSINGS AND INSULATORS: GLASS FILLED PBT
CONTACTS: COPPER ALLOY WITH A SILVER NICKEL TIP, SILVER PLATED
MOUNTING AND INTERFACE GASKETS: SILICONE
GROMMET - RUBBER
FRICTION RING - NATURAL POLYETHYLENE
COMPRESSION NUT - BLACK PBT
SELF TAPPING SCREWS - STAINLESS STEEL

RATINGS:
CURRENT: 30 AMPS
VOLTAGE AND HORSEPOWER: SEE TABLE
OPERATING TEMPERATURE: -25°C (-13°F) TO 60°C (140°F)
ENVIRONMENTAL: NEMA TYPE 4X
WIRING CAPACITY: 12AWG MIN. TO 8 AWG MAX.
TORQUE TERMINAL SCREWS TO 1.7 N-M (15 in/lbs)
AGENCY: UL LISTING PENDING
SWITCH RATED RECEPTACLE/CONNECTOR
BRANCH CIRCUIT DISCONNECT SWITCH
MOTOR CIRCUIT DISCONNECT SWITCH IF HP RATED

CONNECTOR AND HANDLE ARE PACKAGED AS SUB-ASSEMBLIES AND WILL REQUIRE END USER ASSEMBLY.

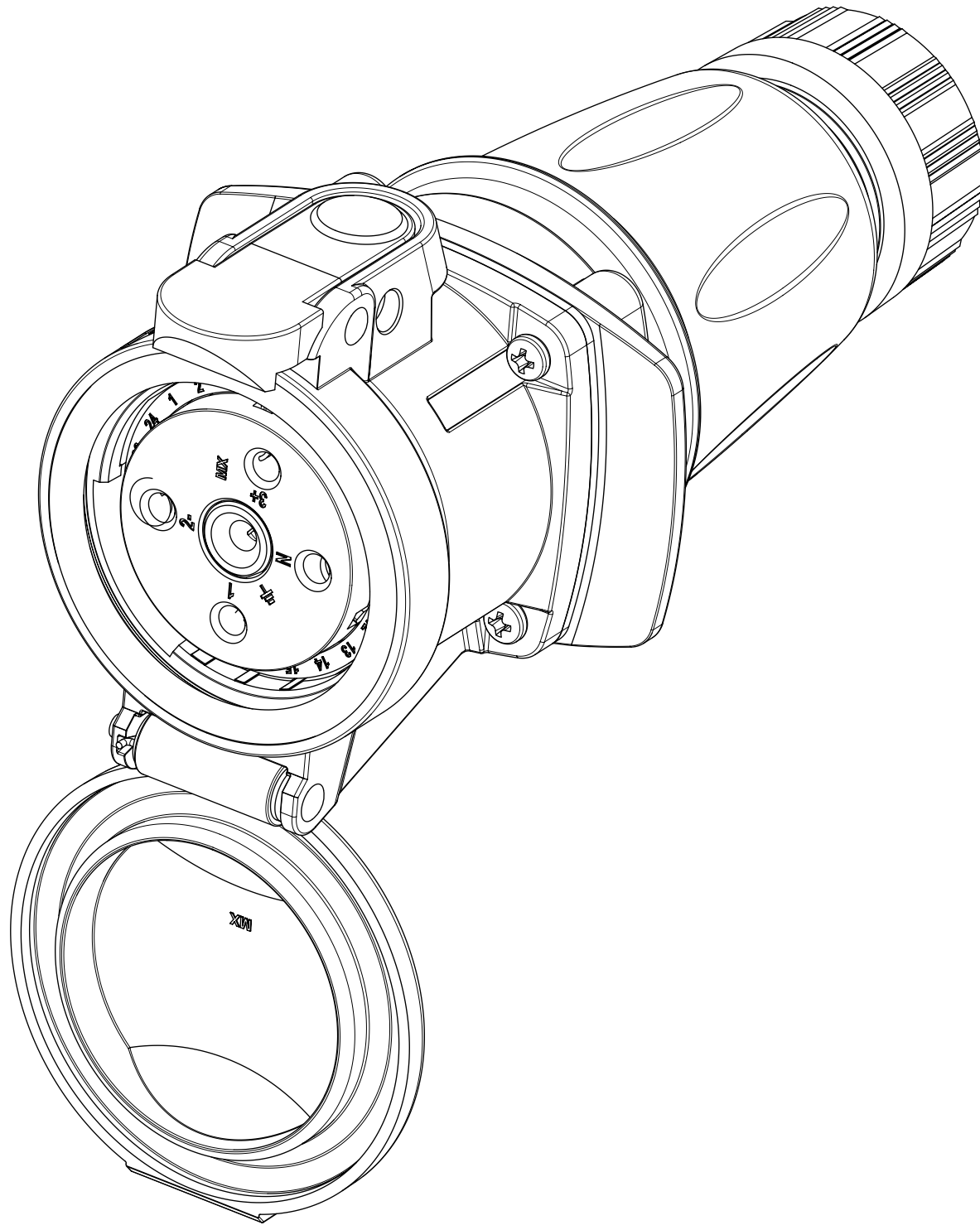
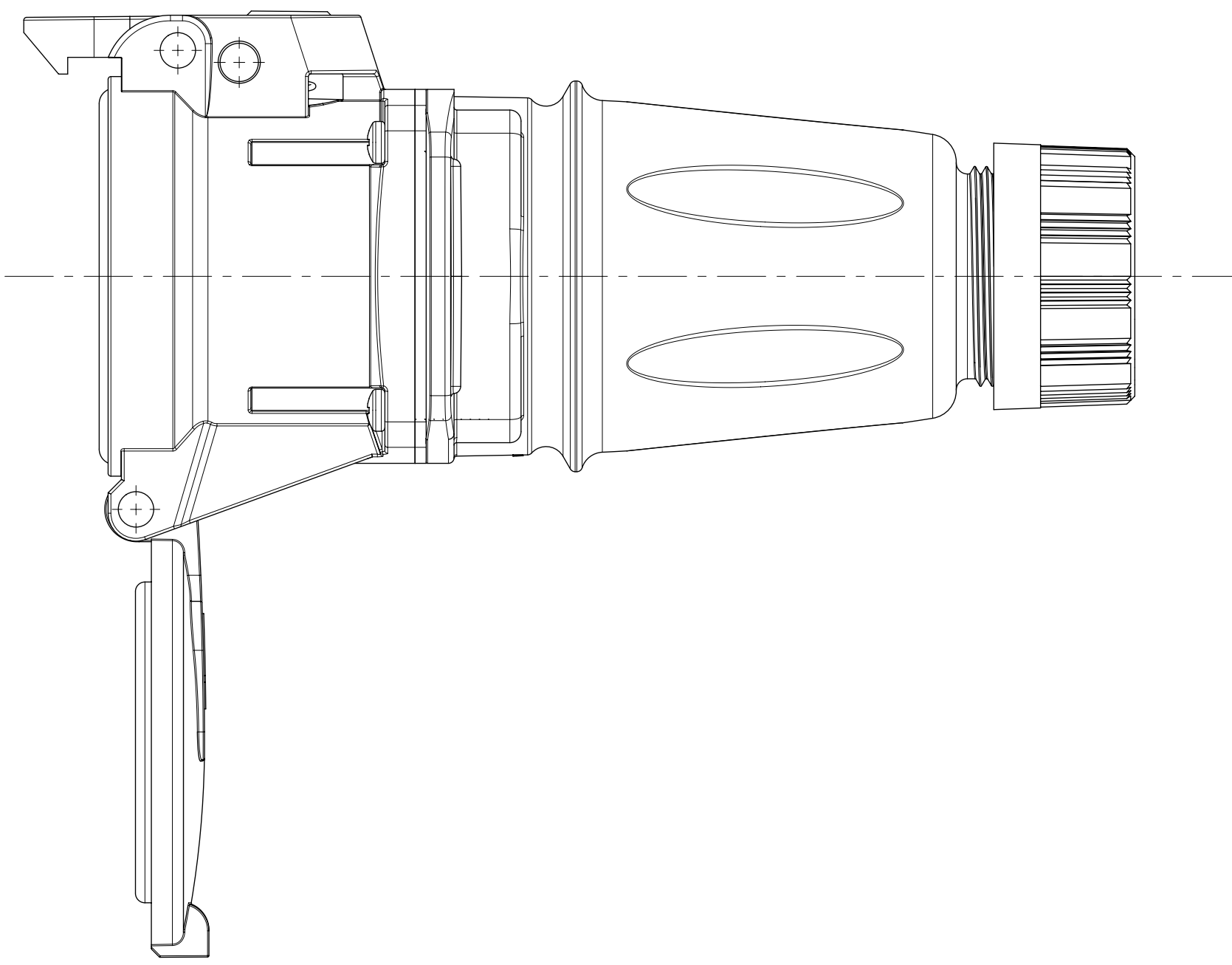
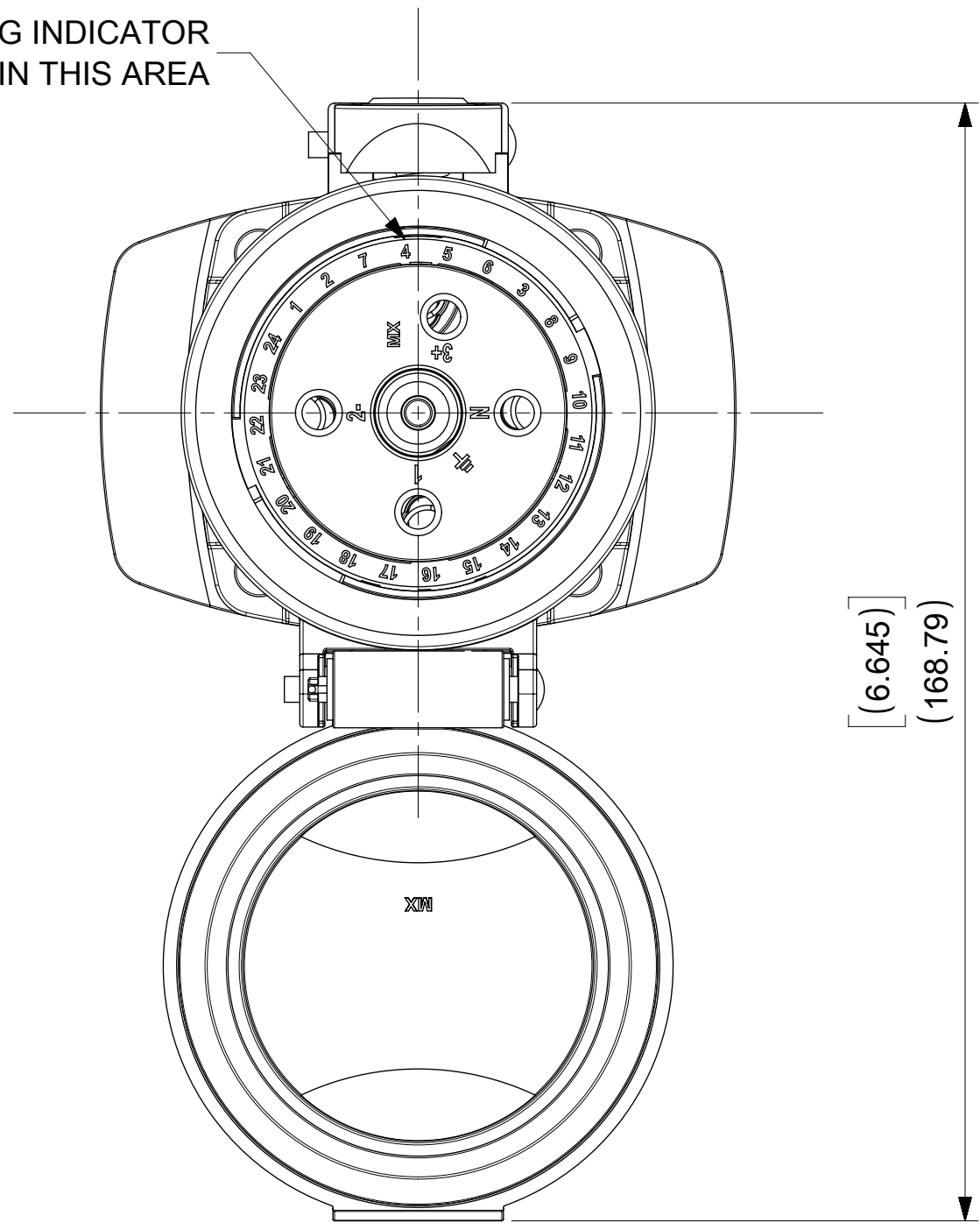
THIS DRAWING REPLACES SD-112219-002.

GROMMET P/N	GROMMET COLOR	CABLE DIAMETER RANGE
1301800411	GRAY	12.7mm - 15.9mm (.500" - .625")
1301800283	ORANGE	15.9mm - 19.0mm (.625" - .750")
1301800413	BLACK	19.0mm - 22.2mm (.750" - .875")

ARC30FHDE03 SHOWN

QUALITY SYMBOLS		THIS DRAWING CONTAINS INFORMATION THAT IS PROPRIETARY TO MOLEX ELECTRONIC TECHNOLOGIES, LLC AND SHOULD NOT BE USED WITHOUT WRITTEN PERMISSION				DIMENSION UNITS		SCALE				
▽ = 0	▽ = 0	REDRAWN IN INX EC NO: 176476 DRWN: VBASUTHKARP CHKD: BRUPERT REV APPR: BRUPERT 2018/04/03 2018/05/10 2018/05/10	GENERAL TOLERANCES (UNLESS SPECIFIED)		MM[INCH]	1:1						
▽ = 0	▽ = 0		MM	INCH	DRWN BY	DATE						
▽ = 0	▽ = 0		4 PLACES ±	±	KJ	08/29/2017						
▽ = 0	▽ = 0		3 PLACES ±	± .005	CHK'D BY	DATE	30A ArcArrest™ CONNECTOR KIT HANDLE W/DRAWPLATES					
▽ = 0	▽ = 0		2 PLACES ±	± 0.13 ± .010	BR	08/29/2017						
▽ = 0	▽ = 0	1 PLACES ±	± 0.25 ± .020	APPR BY	DATE	PRODUCT CUSTOMER DRAWING						
▽ = 0	▽ = 0	0 PLACES ±	±	JM	08/29/2017							
□ = 0	■ = 0	ANGULAR TOL = 0.5°		DRIVING SIZE	THIRD ANGLE PROJECTION		SERIES	MATERIAL NUMBER	CUSTOMER			
▽ = 0	▽ = 0	DRAFT WHERE APPLICABLE MUST REMAIN WITHIN DIMENSIONS		C			112219	SEE TABLE	GENERAL MARKET			
RELEASE STATUS		P1	RELEASE DATE	2018/05/10	16:43:14	DOCUMENT NUMBER		DOC TYPE	DOC PART	SHEET NUMBER		
12		11	10	9	8	7	6	5	4	3	2	1

INSULATOR KEYING INDICATOR
LOCATED IN THIS AREA



ARC30FHDE03 SHOWN

QUALITY SYMBOLS ▽ = 0 ▽ = 0 ▽ = 0 ▽ = 0 ▽ = 0 ▽ = 0 ▽ = 0 ▽ = 0 ▽ = 0 ▽ = 0	THIS DRAWING CONTAINS INFORMATION THAT IS PROPRIETARY TO MOLEX ELECTRONIC TECHNOLOGIES, LLC AND SHOULD NOT BE USED WITHOUT WRITTEN PERMISSION										
	REDRAWN IN INX EC NO: 176476 DRWN: VBASUTHKARP CHKD: BRUPERT REV / APPR: BRUPERT	2018/04/03	2018/05/10	GENERAL TOLERANCES (UNLESS SPECIFIED)		DIMENSION UNITS		SCALE			
		2018/05/10	2018/05/10	MM	INCH	MM[INCH]	1:1				
		4 PLACES	±	±	DRWN BY	DATE		KJ 8/29/2017			
		3 PLACES	±	± .005	CHK'D BY	DATE		BR 8/29/2017			
		2 PLACES	± 0.13	± .010	APPR BY	DATE		JM 8/29/2017			
	1 PLACES	± 0.25	± .020	ANGULAR TOL = 0.5°		DRAWING SIZE	THIRD ANGLE PROJECTION			PRODUCT CUSTOMER DRAWING SERIES MATERIAL NUMBER CUSTOMER 112219 SEE TABLE GENERAL MARKET DOCUMENT NUMBER DOC TYPE DOC PART SHEET NUMBER 1122190024 PSD 000 2 OF 2	
	0 PLACES	±	±	DRAFT WHERE APPLICABLE MUST REMAIN WITHIN DIMENSIONS		C					
	B1	REV	APPR								